



# DCA400 Series Generator

## Fuel Return Modification

The following instructions are intended to assist the user in the installation of the Fuel Return Line Kit for use on the DCA400 Series generators affected by Service Bulletin GSP20110113. Please read all assembly instructions before installing the kit.

### REQUIRED TOOLS

- 13mm socket or wrench
- Flat blade screwdriver
- Pliers
- Wire cutters
- Pipe sealant

### PARTS

Verify that all parts are accounted for. See Figure 1 and Table 1.

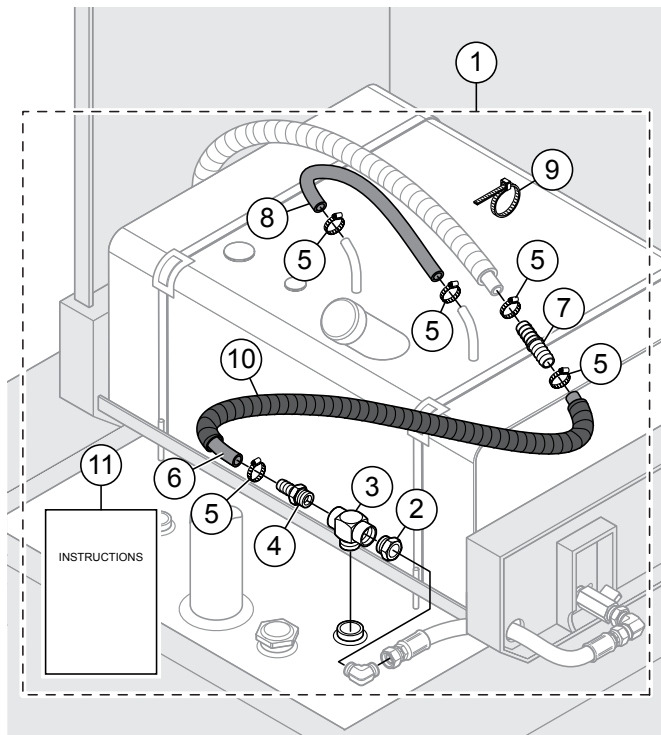


Figure 1. Return Fuel Line Kit

Table 1. Return Fuel Line Kit

Item No.	Part No.	Description	QTY.	Remarks
1	35500	Kit, Return Fuel Line	1	Includes items 2-11
2		Fitting, Bush 1/2FP x 3/4MP Steel/Yel Zinc	1	
3		Fitting, Tee, 3/4FP x 3/4MP x 3/4FP	1	
4		Fitting, 3/4MP x 1/2 Barb, Brass	1	
5		Clamp, Hose Worm #8 1/2-1.00	5	
6		Hose, Fuel, 1/2" ID, Return Extension, 53 in. (134.6 cm)	1	
7		Fitting, Brass, 8 Barb x 8 Barb	1	
8		Hose, Fuel, 1/2" ID, Vent, 24 in. (61 cm)	1	
9		Tie, Cable Ty-Rap Black	10	
10		Protector, Spiral Hose	1	
11	35499	Instructions, Return Fuel Line	1	

### WORK SAFELY!

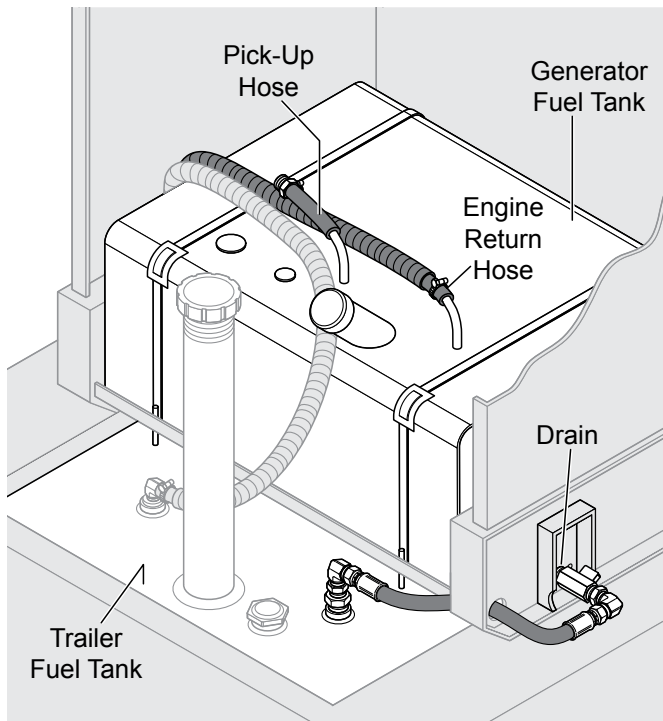
Only a **qualified service technician** with proper training should perform this installation. Follow all shop safety rules when performing this installation.

### PREPARATION

1. Make sure generator is turned off and engine is cool.
2. Place the generator in an area free of dirt and debris. Make sure it is on secure level ground with chock blocks underneath each wheel to prevent the generator from rolling.
3. Disconnect negative battery cable from the battery.
4. Remove front cabinet panel to gain access to generator fuel tank.
5. Remove trailer fuel tank cover to gain access to trailer fuel tank.

## DISASSEMBLY

Figure 2 illustrates the unit's current fuel line configuration.

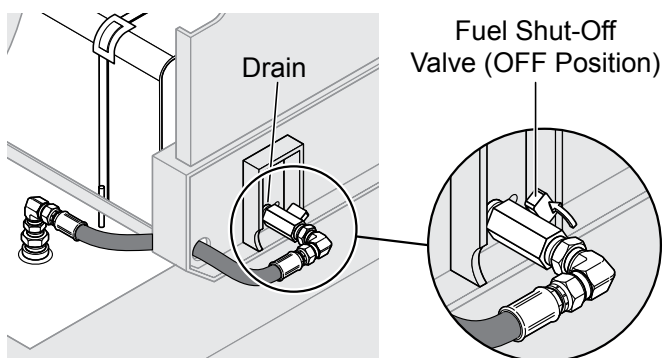


**Figure 2. Current Fuel Line Configuration**

### NOTICE

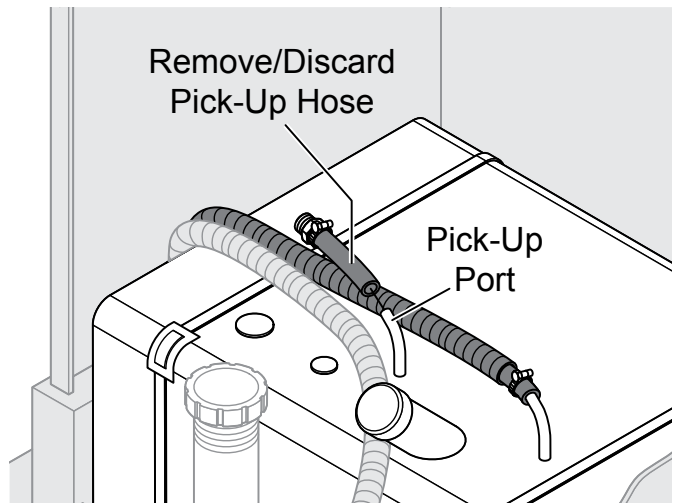
Fuel leaks may occur when disconnecting hoses and fittings. Wipe up any spilled fuel immediately.

1. Turn fuel shut-off valve to the OFF position (Figure 3).



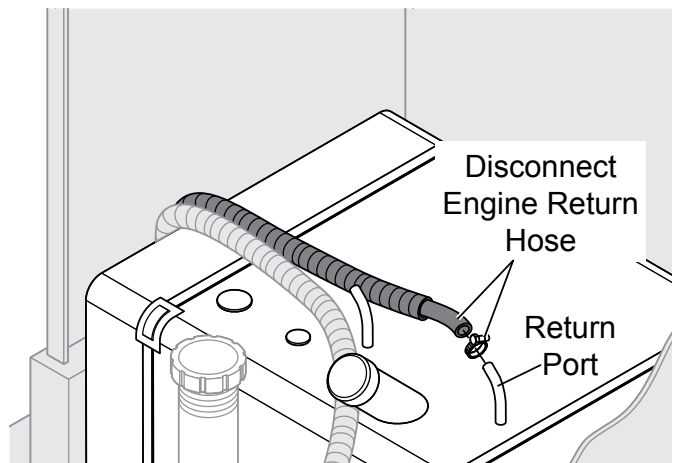
**Figure 3. Fuel Shut-Off Valve (Off Position)**

2. Disconnect pick-up hose from pick-up port and discard. See Figure 4.



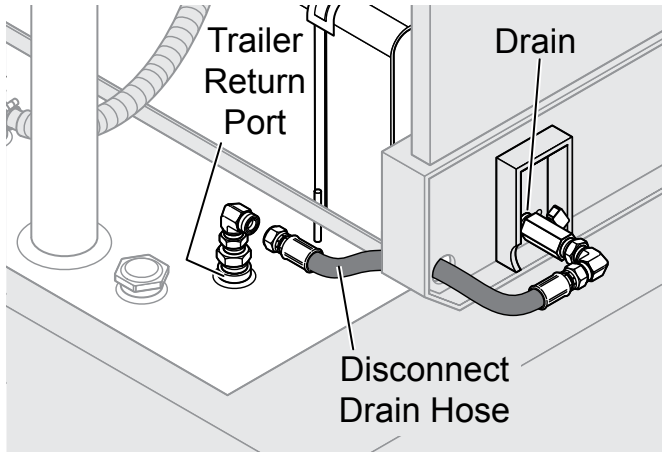
**Figure 4. Remove/Discard Pick-Up Hose**

3. Disconnect engine return hose from return port. See Figure 5.



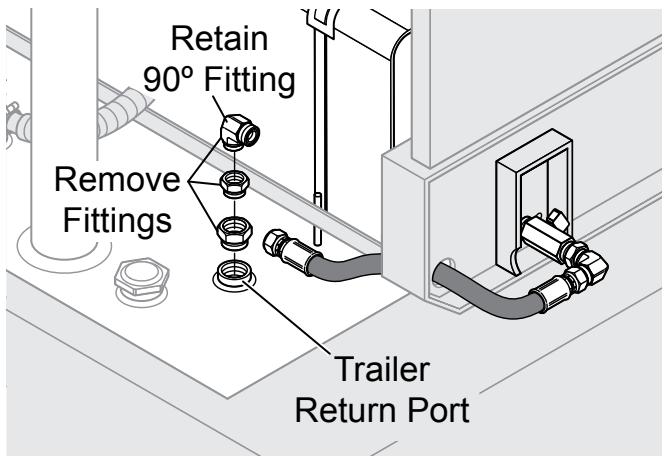
**Figure 5. Disconnect Engine Return Hose**

4. Disconnect drain hose from trailer return port. See Figure 6.



**Figure 6. Disconnect Drain Hose**

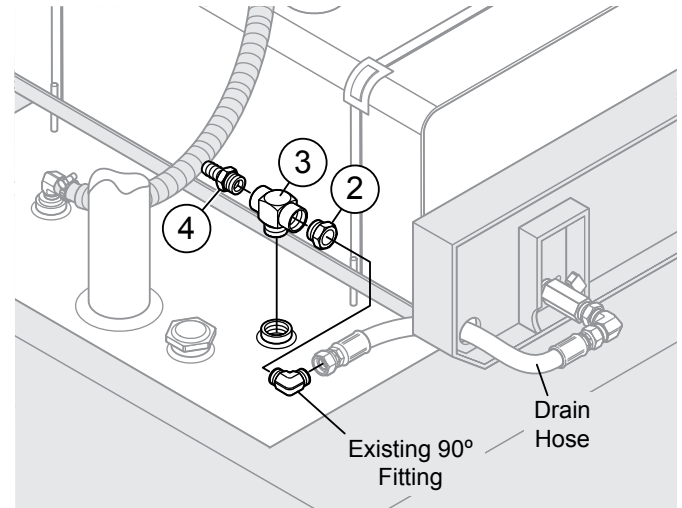
5. Remove fittings from trailer return port. Retain the 90° fitting, and discard the others. See Figure 7.



**Figure 7. Remove Trailer Return Port Fittings**

## INSTALL NEW TRAILER RETURN PORT FITTINGS

Refer to Figure 8.



**Figure 8. New Trailer Return Port Fittings**

### NOTICE

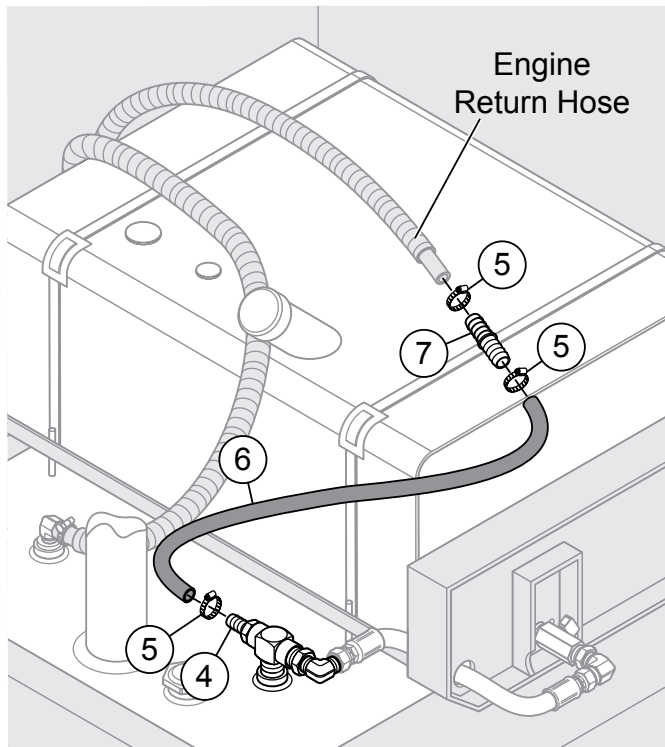
Apply pipe sealant to all fittings.

1. Install Item 3, tee fitting, into trailer return port.
2. Install Item 2, straight fitting, into the right side of the tee fitting.
3. Install existing 90° fitting into Item 2. Connect to drain hose.
4. Install Item 4, straight fitting, into the left side of the tee.

## INSTALL NEW RETURN EXTENSION HOSE

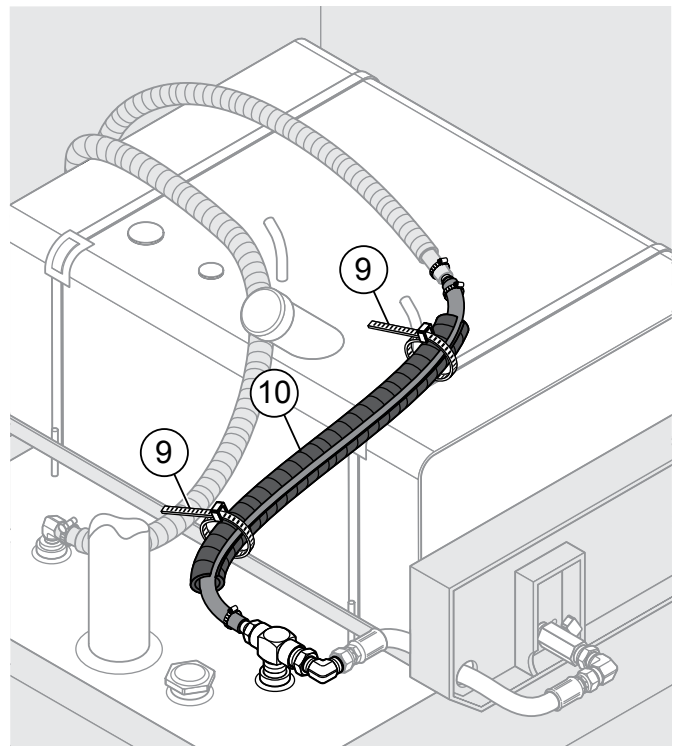
Refer to Figure 9.

1. Connect Item 6, return extension hose, to item 4. Secure with clamp, Item 5.
2. Install Item 7, straight fitting, between extension hose and existing engine return hose. Secure with clamps, Item 5.



**Figure 9. New Return Extension Hose**

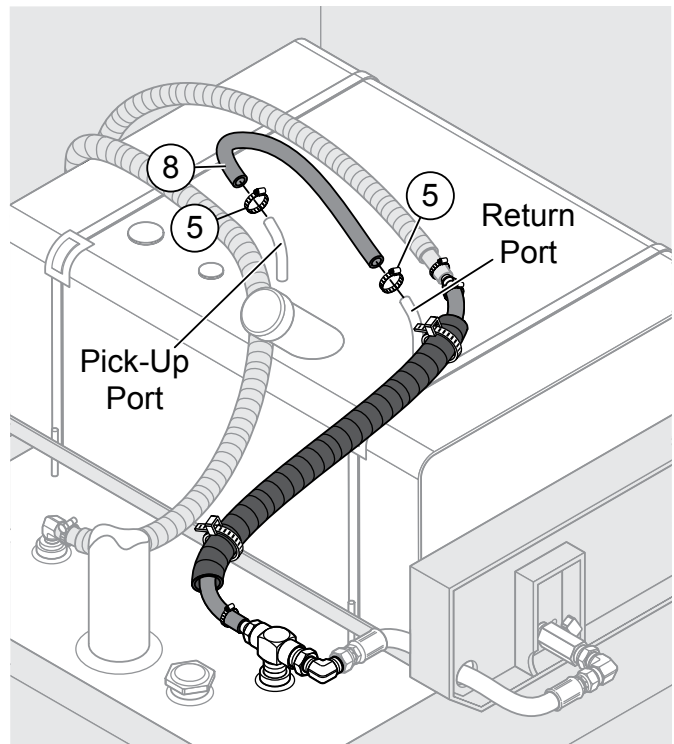
3. Install spiral tubing, Item 10, around return extension hose. Secure with cable ties, Item 9. See Figure 10.



**Figure 10. Spiral Tubing**

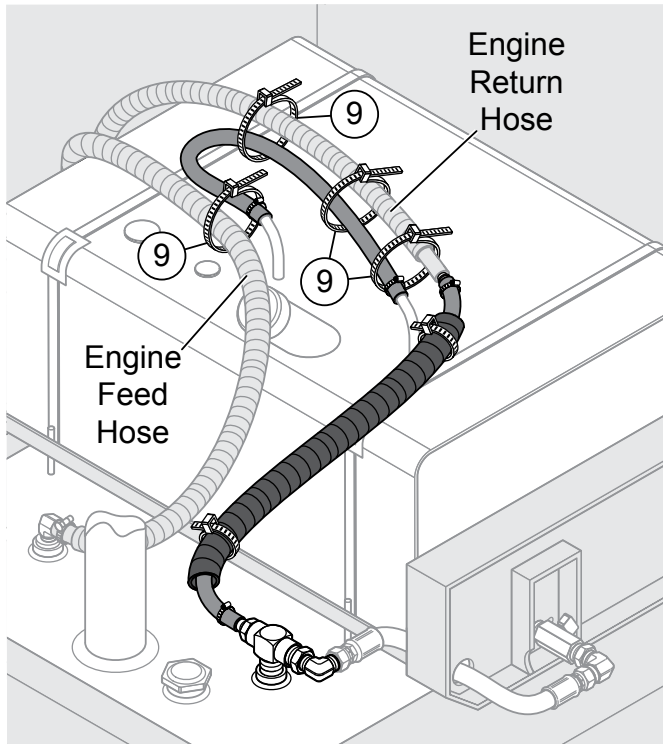
## INSTALL NEW VENT HOSE

1. Connect Item 8, vent hose, to generator pick-up port and return port. Secure with clamps, Item 5. See Figure 11.



**Figure 11. Vent Hose**

2. Secure vent hose to engine return hose and engine feed hose with cable ties, Item 9.



**Figure 12. Secure Vent Hose**

## **REASSEMBLY/TESTING**

1. Turn fuel shut-off valve to the ON position (Figure 3).
2. Reconnect negative battery cable to the battery.
3. Start generator as referenced in the Operation Manual.
4. Check for fuel leaks.
5. Replace front cabinet panel and trailer fuel tank cover.



# DCA400 Series

## Fuel Return Modification

## HERE'S HOW TO GET HELP

PLEASE HAVE THE MODEL AND SERIAL  
NUMBER ON-HAND WHEN CALLING

### UNITED STATES

#### ***Multiquip Corporate Office***

18910 Wilmington Ave. Tel. (800) 421-1244  
Carson, CA 90746 Fax (800) 537-3927  
Contact: mq@multiquip.com

#### ***Service Department***

800-421-1244 Fax: 310-537-4259  
310-537-3700

#### ***Technical Assistance***

800-478-1244 Fax: 310-943-2238

#### ***MQ Parts Department***

800-427-1244 Fax: 800-672-7877  
310-537-3700 Fax: 310-637-3284

#### ***Warranty Department***

800-421-1244 Fax: 310-943-2249  
310-537-3700

### MEXICO

#### ***MQ Cipsa***

Carr. Fed. Mexico-Puebla KM 126.5 Tel: (52) 222-225-9900  
Momoxpan, Cholula, Puebla 72760 Mexico Fax: (52) 222-285-0420  
Contact: pmastretta@cipsa.com.mx

### CANADA

#### ***Multiquip***

4110 Industriel Boul. Tel: (450) 625-2244  
Laval, Quebec, Canada H7L 6V3 Tel: (877) 963-4411  
Contact: jmartin@multiquip.com Fax: (450) 625-8664

### UNITED KINGDOM

#### ***Multiquip (UK) Limited Head Office***

Unit 2, Northpoint Industrial Estate, Tel: 0161 339 2223  
Globe Lane, Fax: 0161 339 3226  
Dukinfield, Cheshire SK16 4UJ  
Contact: sales@multiquip.co.uk

© COPYRIGHT 2011, MULTIQUIP INC.

Multiquip Inc and the MQ logo are registered trademarks of Multiquip Inc. and may not be used, reproduced, or altered without written permission. All other trademarks are the property of their respective owners and used with permission.

The information and specifications included in this publication were in effect at the time of approval for printing. Illustrations, descriptions, references and technical data contained in this document are for guidance only and may not be considered as binding. Multiquip Inc. reserves the right to discontinue or change specifications, design or the information published in this publication at any time without notice and without incurring any obligations.

Your Local Dealer is:



## Free Manuals Download Website

<http://myh66.com>

<http://usermanuals.us>

<http://www.somanuals.com>

<http://www.4manuals.cc>

<http://www.manual-lib.com>

<http://www.404manual.com>

<http://www.luxmanual.com>

<http://aubethermostatmanual.com>

Golf course search by state

<http://golfingnear.com>

Email search by domain

<http://emailbydomain.com>

Auto manuals search

<http://auto.somanuals.com>

TV manuals search

<http://tv.somanuals.com>