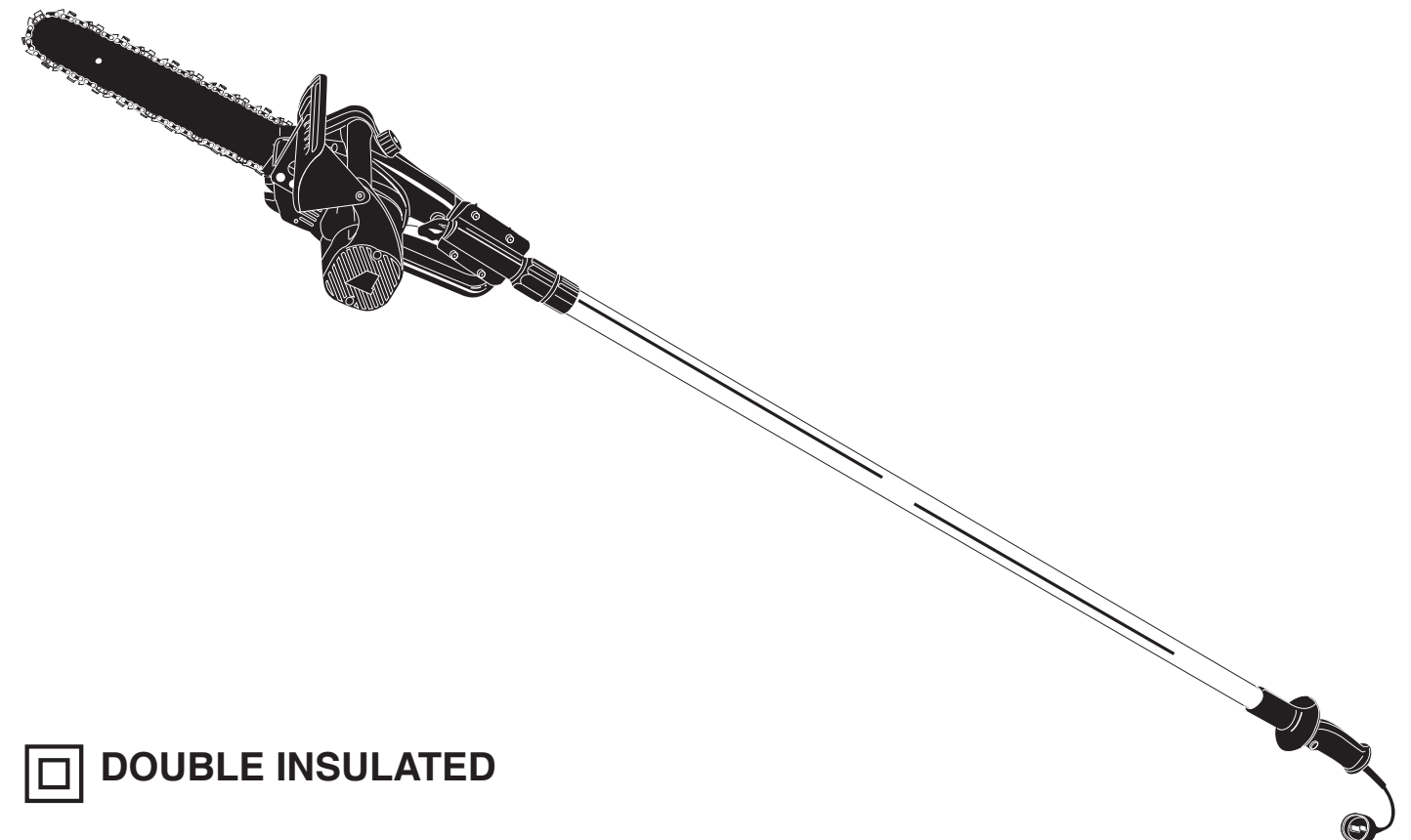




USER MANUAL ELECTRIC POLE SAW

Model : MCP1510

SAFETY
OPERATION
MAINTENANCE



DOUBLE INSULATED

WARNING • PLEASE READ

Beware of kickback. Hold chain saw firmly with both hands when using. For your own safety, please read and follow the safety precautions in this manual before attempting to operate your chain saw. Improper use can cause serious injury.

PN 6096-210808

Printed in China



For problems or questions, DO NOT return this product to the store. Contact your Customer Service Agent .

En cas de problèmes ou pour des questions, NE PAS retourner ce produit au point de vente. S'adresser au préposé du Service à la clientèle en composant.

Para problemas o preguntas, NO devolver este producto a la tienda. Contacte a su Agente de Servicio al Cliente.

McCulloch
1030 Stevens Creek Road
Augusta, GA 30907

For Consumer Assistance Please Call
L'Aide Du Consommateur Necessitez S'il Vous Plait
Para La Ayuda Del Consumidor Llame Por Favor



U.S.A. & CANADA
1-800-521-8559

Made in China / Fabriqué à Chine / Hecho en China

INTRODUCTION

PLEASE READ

Dear Customer,

Thank you for purchasing a McCulloch product. With proper operation and maintenance, it will provide you with years of service.

In order to make the best use of your investment, be **CERTAIN** to familiarize yourself with the contents of the **ENTIRE** user manual before attempting to operate and maintain your unit.

Be sure to carefully follow the step-by-step instructions in this manual to start, operate and maintain your new product.

In the manual there will be the following call-outs: **NOTE**:, **WARNING / CAUTION** and **WARRANTY**.

A **NOTE**: is used to convey additional information, to highlight a particular explanation, or to expand a step description.

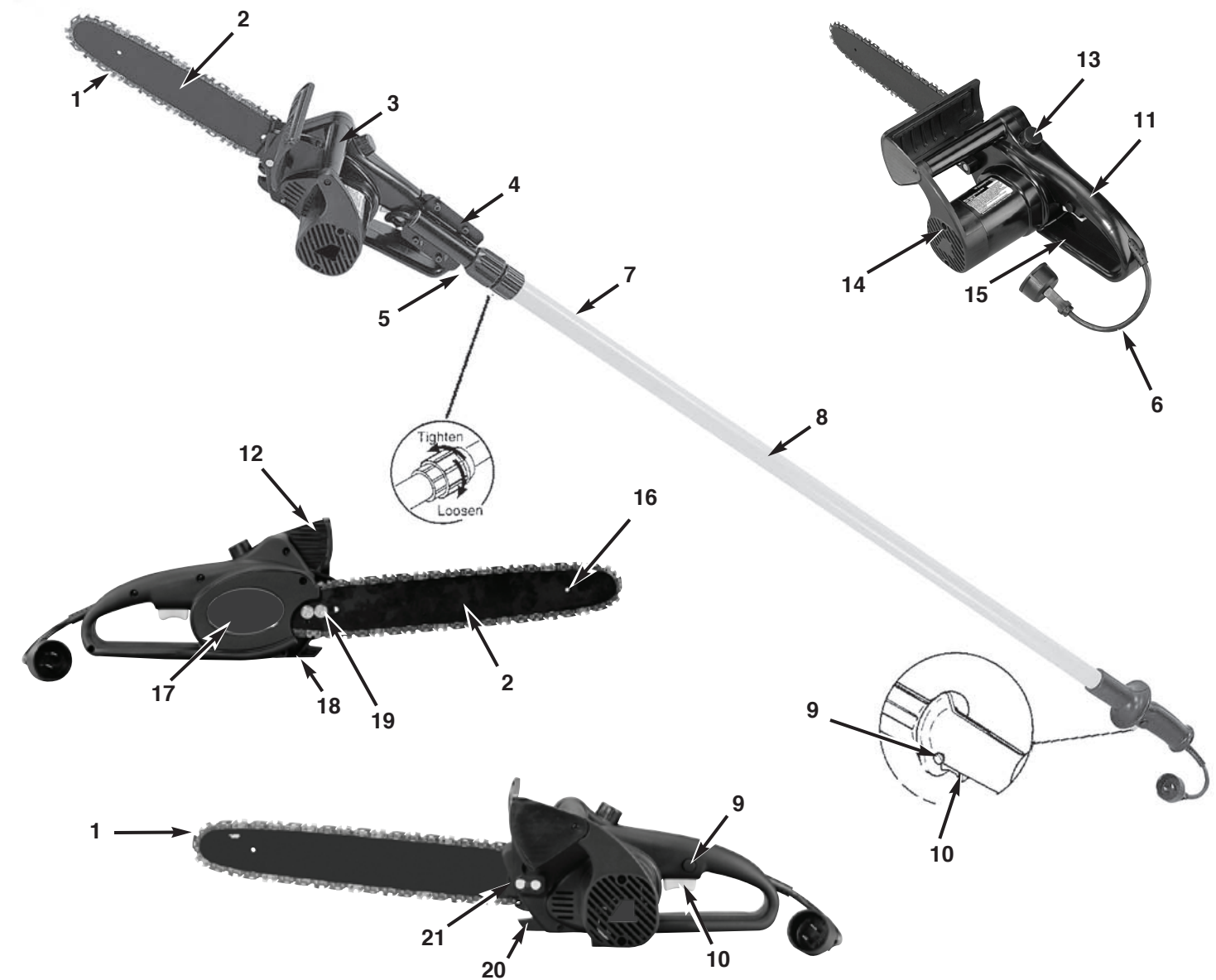
A **WARNING** or **CAUTION** identifies a procedure which, if not undertaken or if improperly done, can result in serious personal injury and/or damage to the unit.

The **W** (**WARRANTY SYMBOL**) serves notice that unless instructions or procedures are followed, any damage caused will void the warranty and repairs will be at owner's expense.

Pay particular attention to the safety precautions. They are written for your protection and contain important information you must know to safely operate your pole saw.

FOR WARRANTY OR SERVICE CONTACT THE NEAREST AUTHORIZED SERVICE CENTER - LOCATE YOUR NEAREST SERVICE CENTER BY CALLING THE TOLL FREE NUMBER IN THIS MANUAL.

1 - GENERAL INFORMATION



1-1. GENERAL IDENTIFICATION

- | | |
|--------------------------------|------------------------------|
| 1. Saw Chain | 12. Hand Guard |
| 2. Guide Bar | 13. Oil Tank Cap |
| 3. Front Handle | 14. Electric Motor |
| 4. Handle Bracket | 15. Rear Hand Guard |
| 5. Inner Pole | 16. Guide Bar Nose |
| 6. Power Cord | 17. Sprocket Cover |
| 7. Coupling Nut | 18. Chain Catcher |
| 8. Outer Pole | 19. Bar Retaining Nuts |
| 9. Lock-off Switch | 20. Spikes |
| 10. Trigger Start/ Stop Switch | 21. Tension Adjustment Screw |
| 11. Rear Handle | |

1 - GENERAL INFORMATION

1-2. SAFETY FEATURES

Numbers preceding the descriptions correspond with the numbers on preceding page to help you locate the safety feature.

- 1 **LOW-KICKBACK CHAIN** helps significantly reduce kickback, or the intensity of kickback, due to specially designed depth gauges and Guard links.
- 2 **GUIDE BAR** Reduced kickback guide bar reduces the intensity of kickback.
- 9 **LOCK / OFF BUTTON** prevents accidental acceleration of the saw motor. The trigger cannot be squeezed unless lock/off button is depressed.
- 10 **TRIGGER START / STOP SWITCH** stops saw motor when released.
- 11 **HAND GUARD** protects the operator's left hand in the event it slips off the front handle while saw is running.
- 14 **ELECTRIC MOTOR** is double insulated for added safety.
- 18 **CHAIN CATCHER** reduces the danger of injury in the event saw chain breaks or derails during operation. The catcher is designed to intercept a whipping chain..

SPECIFICATION

MODEL	MCP1510
Input	120V~, 60Hz, 8Amp
Peak Horsepower	1.5HP
Bar Length	10" (25cm)
Chain Oil Capacity	1.7 ounces (50ml)
Net Weight	7.5 lbs. (3.4Kg)

2 - SAFETY PRECAUTIONS

SAFETY PRECAUTIONS FOR CHAIN SAW USERS

(ANSI B175.1-1991, Annex C) (CAN3-Z62.1-M85 FEB85, Appendices A, B)

Your McCulloch Chain Saw is provided with a safety label located on the HAND GUARD. This label, along with the safety instructions on these pages, should be carefully read before attempting to operate your saw.

2-1. HOW TO READ SYMBOLS AND COLORS:

RED WARNING

Used to warn that an unsafe procedure should not be performed.

GREEN RECOMMENDED

Recommended cutting procedure.

WARNING

(Figure 2-1A)

1. Beware of kick back.
2. Do not attempt to hold saw with one hand.
3. Avoid bar nose contact.

RECOMMENDED

4. Hold Saw properly with both hands.



2-1A

WARNING

2-2. DANGER! BEWARE OF KICKBACK!

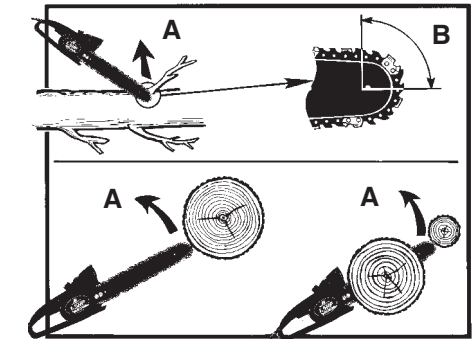
Kickback can lead to dangerous loss of control of the chain saw and result in serious or fatal injury to the saw operator or to anyone standing close by. Always be alert because rotational kickback and pinch kickback are major chain saw operational dangers and the leading cause of most accidents.

BEWARE OF:

ROTATIONAL KICKBACK (Figure 2-2A)

A = Kickback path

B = Kickback reaction zone



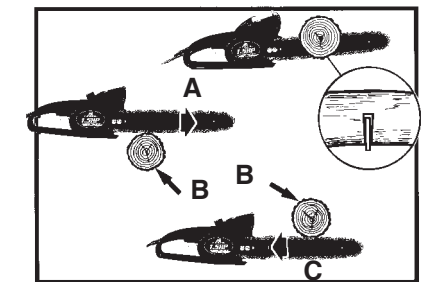
2-2A

THE PUSH (PINCH-KICKBACK) AND PULL REACTIONS (Figure 2-2B)

A = Pull

B = Solid objects

C = Push



2-2B

KICKBACK may occur when the NOSE or TIP of the guide bar touches an object, or when wood closes in and pinches the saw chain in the cut.

Tip contact in some cases may cause a lightning-fast reverse reaction, kicking the guide bar up and back toward the operator.

PINCHING the saw chain along the BOTTOM of the guide bar may PULL the saw forward, away from the operator.

PINCHING the saw chain along the TOP of the guide bar may PUSH the guide bar rapidly back toward the operator.

Any of these reactions may cause you to lose control of the saw, which could result in serious personal injury.

2 - SAFETY PRECAUTIONS

2-3. IMPORTANT SAFETY INSTRUCTIONS

WARNING

When using an electric chain saw, basic safety precautions should always be followed to reduce the risk of fire, electric shock, and injury to persons, including the following:

READ ALL INSTRUCTIONS

1. Double insulated - No Serviceable Parts Inside.
2. To reduce the risk of electric shock, this equipment has a polarized plug (one blade is wider than the other). This plug will fit in a polarized outlet only one way. If the plug does not fit fully in the outlet, reverse the plug. If it still does not fit, contact a qualified electrician to install the proper outlet. Do not change the plug in any way.
3. With a basic understanding of kickback, you can reduce or eliminate the element of surprise. Sudden surprise contributes to accidents.
4. **KEEP THE WORK AREA CLEAN:** Cluttered areas invite injuries. Do not start cutting until you have a clear work area, secure footing, and a planned retreat path from the falling tree.
5. **GUARD AGAINST ELECTRIC SHOCK:** Prevent body contact with grounded surfaces (i.e., metal pipes, wire fences).
6. **CONSIDER THE WORK AREA ENVIRONMENT:** Use extreme caution when cutting small sized brush and sapling, as slender material may catch the saw chain and be whipped toward you or pull you off balance. Do not operate a chain saw in a tree unless you are specifically trained to do so. When cutting a limb that is under tension, be alert for spring back so that you will not be struck when the tension in the wood fibers is released. Do not expose the chain saw to rain. Do not use the chain saw in damp or wet locations. Do not use the chain saw in the presence of flammable liquids or gases.
7. **KEEP CHILDREN AND BYSTANDERS AWAY:** Do not let visitors contact the chain saw or extension cord. All visitors should be kept away from the work area.
8. **STORING YOUR CHAIN SAW:** When not in use, chain saws should be stored out of the reach of children, in a dry, high or locked-up place. When storing saw, use a scabbard or carrying case.
9. **DO NOT FORCE THE CHAIN SAW:** The chain saw will do a better and safer job when used at the rate for which it was intended.
10. **USE THE RIGHT TOOL:** Cut wood only. Do not use the chain saw for purposes for which it was not intended. For example, do not use the chain saw for cutting plastic, masonry, or non-building materials.

11. **DRESS PROPERLY:** Do not wear loose clothing or jewelry, as they can get caught in moving parts. Non-skid footwear is recommended when working outdoors. Wear protective hair covering to contain long hair.
12. **USE SAFETY GEAR:** Use safety glasses, safety footwear, safety chaps, snug fitting clothing, protective gloves, and protective hearing and head gear.
13. **STAY ALERT:** Watch what you are doing. Use common sense. Do not operate the chain saw when you are tired. Keep all parts of your body away from the saw chain when the motor is operating. Before you start the saw, make sure the saw chain is not contacting anything.
14. **MAINTAIN YOUR CHAIN SAW:** Inspect the chain saw cords periodically and, if damaged, have them repaired by an authorized service facility. Keep the cord clear of the chain and operator at all times. Never carry the saw by the cord or pull it to disconnect from receptacle. Keep the cord from oil and sharp edges. Inspect the extension cords periodically and replace if damaged. Keep tools sharp and clean for better and safer performance. Follow instructions for lubricating and changing accessories. Keep handles dry, clean and free from oil and grease.
15. **DISCONNECT THE CHAIN SAW:** Disconnect the chain saw when not in use, before servicing, and when changing accessories and attachments such as saw chain and guard.
16. **OUTDOOR EXTENSION CORDS:** Use only extension cords intended for use outdoor use and so marked accordingly.
17. **CHECK DAMAGED PARTS:** Before further use of the chain saw, a guard or other part that is damaged should be carefully checked to determine that it will operate properly and perform its intended function. Check for alignment of moving parts, binding of moving parts, breakage of parts, mounting, and any other conditions that may affect its operation. A guard or other part that is damaged should be properly repaired or replaced by an authorized service center, unless otherwise indicated in this instruction manual. Have defective switches replaced by authorized service center. Do not use chain saw if switch does not turn it on and off. Do not operate a chain saw that is damaged, improperly adjusted, or is not completely and securely assembled. Be sure that the saw chain stops moving when the trigger is released.
18. **CARRYING THE SAW:** Carry the saw by the front handle with the saw stopped. Keep your finger off the switch, and make sure that the guide bar and saw chain are to the rear.

2 - SAFETY PRECAUTIONS

19. GUARD AGAINST KICKBACK:

WARNING

Kickback may occur when the nose or tip of the guide bar touches an object, or when the wood closes in and pinches the saw chain in the cut. Tip contact in some cases may cause a lightning-fast reverse action, kicking the guide bar rapidly back towards the operator. Pinching the saw chain along the top of the guide bar may push the guide bar rapidly back towards the operator. Either of these reactions may cause you to lose control of the saw, which could result in serious injury to the user. The following precautions should be followed to minimize kickback.

- A. **GRIP SAW FIRMLY:** Hold the chain saw firmly with both hands when the motor is running. Keep a good firm grip on the saw with both hands, the right hand on the rear handle, and the left hand on the front handle.
 - B. Do not over reach.
 - C. Keep proper footing and balance at all times.
 - D. Do not let the nose of the guide bar contact a log, branch, ground or other obstruction.
 - E. Do not cut above shoulder height.
 - F. Use devices, such as low-kickback chain, guide bar nose guards, chain brakes and special guide bars, which reduce the risks associated with kickback.
 - G. Use only replacement bars and chains specified by the manufacturer or the equivalent.
 - H. There are no other replacement components for achieving kickback protection in accordance with CSA Z62.3.
20. **POWER SUPPLY:** Connect the chain saw to correct voltage; be sure that the voltage supplied is the same as that specified on the nameplate of the tool.
 21. **DO NOT** operate a chain saw that is damaged, improperly adjusted, or not completely and securely assembled. Be sure that the saw chain stops moving when the trigger is released.
 22. **DO NOT** attempt operations beyond your capacity or experience.
 23. **DO NOT** operate a chain saw with one hand! Serious injury to the operator, helpers, or bystanders may result from one-handed operation. A chain saw is intended for two-handed use.
 24. **TO REDUCE** potential for electric shock, do not operate the saw on wet or slippery surfaces, or during snow storms, rain storms, and other adverse weather conditions.
 25. **DO NOT** allow dirt, debris or sawdust to build up on the motor or outside air vents.
 26. Follow the manufacturer's sharpening and maintenance instructions for the saw chain.
 27. Cut at high motor speeds.

28. Operation of a chain saw should be restricted to mature, properly instructed individuals.
29. Your chain saw is intended for occasional homeowner use. It is not made for continuous heavy duty use.
30. **DO NOT FORCE** a small saw to do a job requiring a heavier duty unit.
31. **EXAMINE THE ELECTRICAL SWITCHES.** Do not use the chain saw if the switches do not properly turn on and off. Do not attempt to make any repairs to the electric switches. Take your saw to a McCulloch Authorized Service Center.
32. **MAINTAIN EXTENSION CORDS.** Inspect the extension cords periodically and replace if damaged. Only use power cords that are suitably marked for outdoor use.
33. **DO NOT OPERATE YOUR CHAIN SAW** near or around flammable liquids or gases, whether in or out of doors. An explosion and/or fire may result.
34. This electric powered saw is classified by CSA as a Class 2C saw. It is intended for infrequent use by homeowner's, cottagers and campers, and for such general applications such as clearing, pruning, cutting firewood, etc. It is not intended for prolonged use. If the intended use involves prolonged periods of operation, this may cause circulatory problems in the user's hands due to vibration. It may be appropriate to use a saw having an anti-vibration feature.
35. **NEVER REMOVE,** modify or make inoperative any safety device furnished with your unit.
36. Safety clothing required by your safety organizations, government regulations, or your employer should be used; otherwise, snug fitting clothing, safety footwear, safety chaps and hand and ear protection should be worn.
37. When felling, keep at least two (2) tree lengths between yourself and your fellow workers.
38. All chain saw service, other than the items listed in the user manual safety and maintenance instructions, should be performed by competent chain saw personnel. Do not attempt to repair it yourself; there are no user serviceable parts inside.

NOTE: Low-kickback saw chain is chain that has met the kickback performance requirements of ANSI B175.1-1991 and is in accordance with CSA Z62.3. Do not use other replacement chain unless it has met these requirements for your specific model.

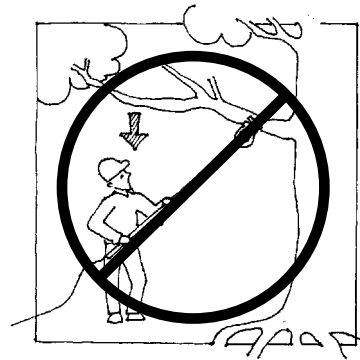
39. **W DO NOT USE ANY OTHER CUTTING ATTACHMENT OR ACCESSORIES.** Use only McCulloch replacement parts and accessories, which are designed specifically to enhance the performance and maximize the safe operation of our products. Failure to do so may cause poor performance and possible injury. Use only the chain and bar supplied with this product. *Do not use any other cutting attachment.* Use of such attachments will void your factory warranty and could result in serious bodily injury.

2 - SAFETY PRECAUTIONS

2-4. POLE SAW TRIMMING PRECAUTIONS

1. Be aware of extension cord while operating chain saw. Be careful not to trip over cord. Keep cord away from chain and operator at all times.
2. Keep bystanders 50 feet (15 meters) away when operating saw.
3. Do not use the pole saw to cut down trees. Use the chain saw without pole attachment.
4. Grip pole saw securely - one hand on the pole, the other on the handle.
5. Keep finger off trigger until ready to make cut.
6. Before starting pole saw, make sure chain is not touching anything.
7. Keep all parts of body away from chain when saw is running.
8. Do not force chain saw while cutting. Apply light pressure. It will do the job better and safer at the rate for which it was intended.
9. When cutting limbs or branches that are under tension, use extreme caution. Be alert for wood springing back. When wood tension is released, limb could spring back and strike operator causing severe injury or death.
10. When Carrying pole saw from one place to another:
 - unplug unit
 - return telescoping pole to shortest position
 - hold pole at balance point (close to saw end)
 - keep guide bar and chain to rear
11. Do not cut small brush and saplings with the pole saw. Use the chain saw only, with extreme care. Slender matter may catch in the chain and be whipped toward you. This could also pull you off balance.
12. Never stand directly under the limb you are trimming. Always position yourself out of the path of falling debris. (See Fig. 2-4A)
13. Never stand on a ladder or other type of unstable support while using the pole saw.
14. Always use both hands to operate pole saw. Keep a firm, steady pressure on the pole saw while cutting but do not try to force the saw through the wood.
15. Do not use the pole saw to cut limbs larger in diameter than 4" (10 cm) in diameter. (See Fig. 2-4B)
16. Keep other persons away from cutting end of pole saw and at a safe distance from work area. (See Fig. 2-4C)
17. Do not use pole saw near cable, electric power or telephone lines. Maintain a minimum clearance of 10 feet from all power lines. (See Fig. 2-4D)

**SAVE THESE
INSTRUCTIONS**



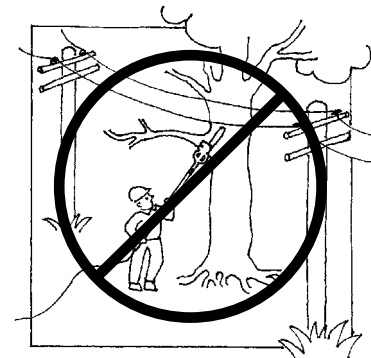
2-4A



2-4B

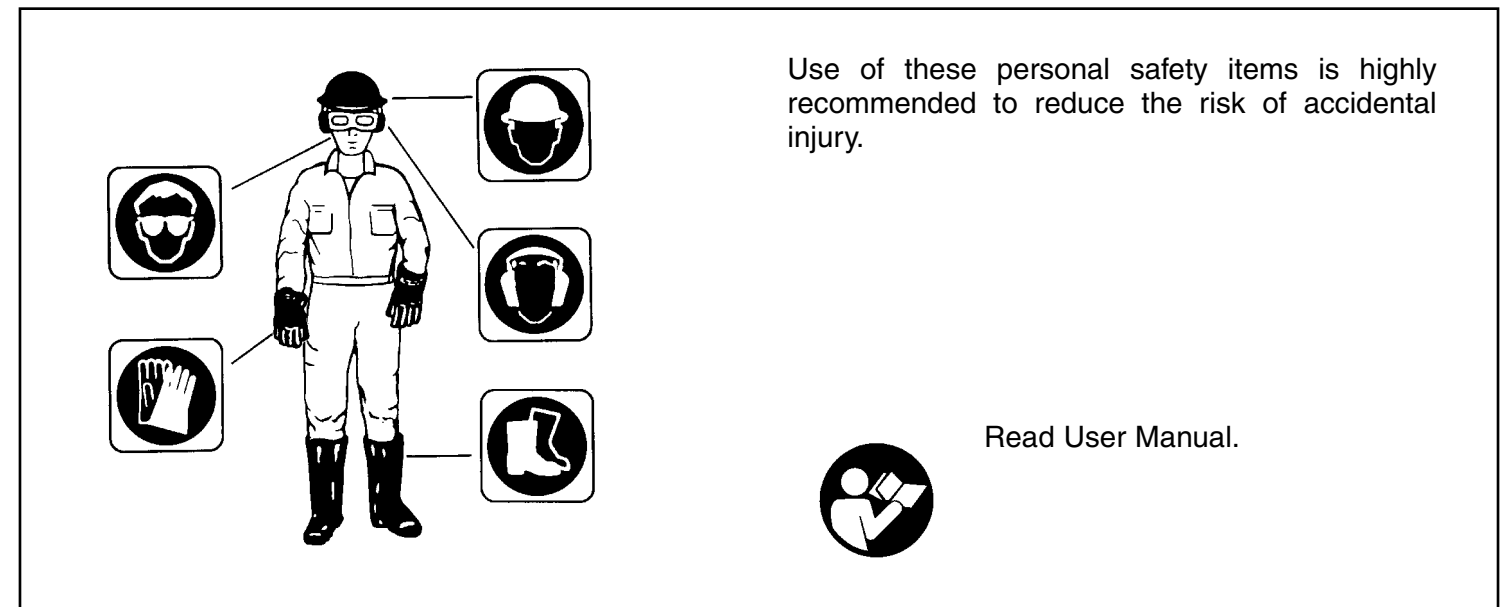


2-4C



2-4D

2 - SAFETY PRECAUTIONS



3 - ASSEMBLY INSTRUCTIONS

3-1. INTRODUCTION

This unit is designed for occasional homeowner use and should not be used for commercial purposes or subjected to heavy continuous use.

Your new chain saw can be used for a variety of projects such as cutting firewood, making fence posts, felling small trees, limbing, pruning at ground level, and light carpentry. Cut only wood or wood products with your saw.

3-2. UNPACKING

1. Remove all items from carton.
2. Check all items for any shipping damage. If you find any damage or if any parts are missing, promptly inform dealer where you bought the pole saw.

3-3. ASSEMBLY REQUIREMENTS

Your new pole saw will require adjustment of chain and filling the oil tank with lubricating oil before the unit is ready for operation. Do not start the saw motor until the unit is properly prepared.

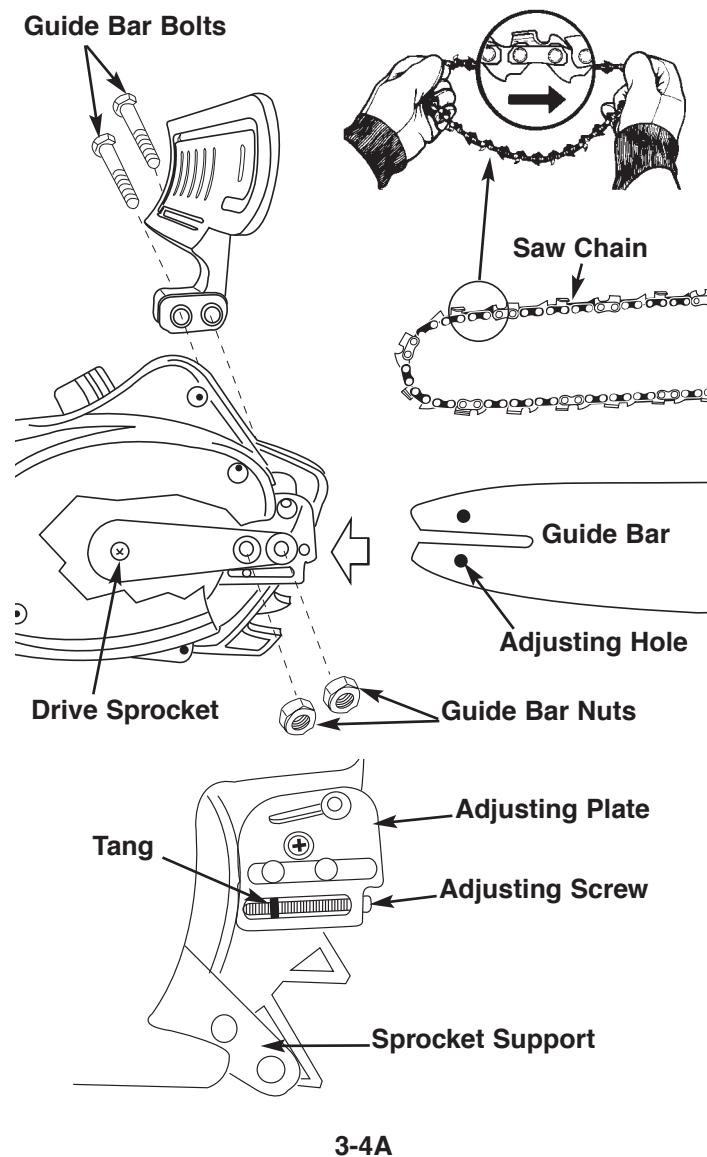
Read all instructions carefully. Do not install any other size bar and chain than what is recommended for your model.

3-4. GUIDE BAR / SAW CHAIN REPLACEMENT INSTALLATION

WARNING

Whenever handling the saw chain, wear work gloves for protection against sharp cutting edges.

1. Remove bar nuts, push bar bolts in and slide sprocket support down. (See Fig. 3-4A)
2. Remove old guide bar and chain.
3. Using a straight screwdriver, turn the chain adjustment screw counterclockwise as far as it will go, or until tang is to the end of its travel.
4. Loop saw chain over drive sprocket with the cutting edges of the chain pointing in the direction of rotation.
5. Place the slotted end of guide bar over the bar bolt so the tang fits into the lower hole in the guide bar.
6. Make sure the chain follows the slot in the guide bar. Slide the sprocket support up and push the bar bolts through the sprocket support.
7. Install the bar retaining nuts hand tight, (Proceed to saw chain tension Adjustment).



3-5. SAW CHAIN TENSION ADJUSTMENT

Proper tension of the saw chain is extremely important and must be checked before starting, as well as during, any cutting operation. Taking the time to make needed adjustments to the saw chain will result in improved cutting performance and prolonged chain life.

NOTE: A new chain and bar will need readjustment after as few as 5 cuts. This is normal during the break-in period, and the interval between future adjustments will lengthen quickly (Figure 3-5A).

CAUTION

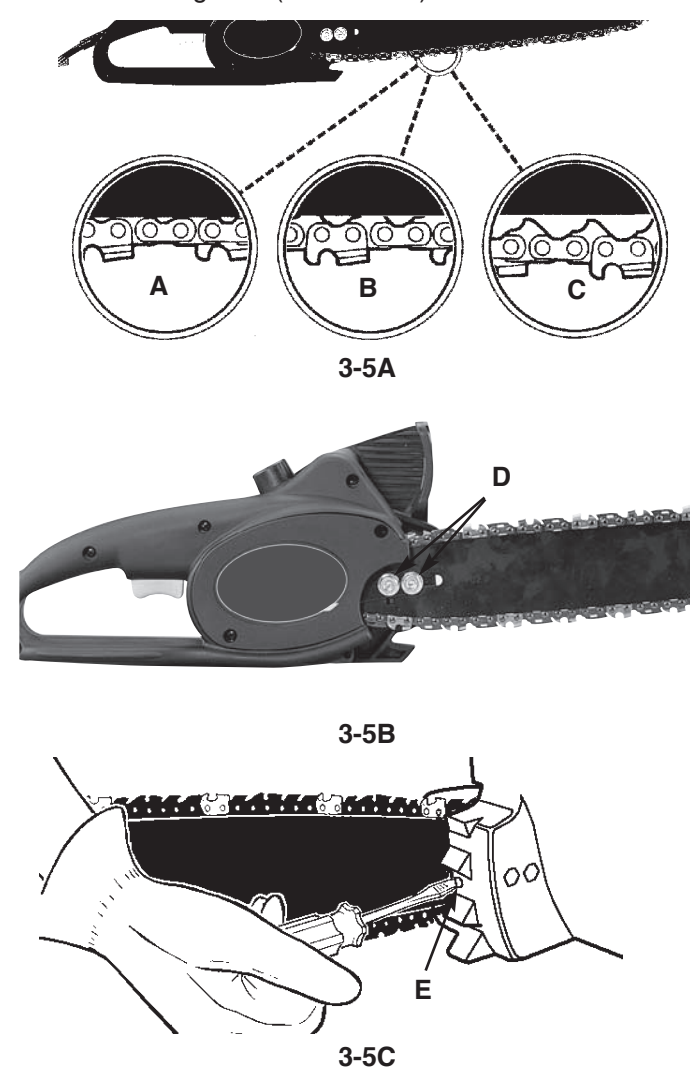
If a chain is TOO LOOSE or TOO TIGHT, the bar chain and saw bearings will wear more rapidly. Study Figure 3-5A for information concerning correct cold tension (A), correct warm tension (B), and as a guide for when saw chain needs adjustment (C).

TO ADJUST SAW CHAIN TENSION:

1. Loosen the bar retaining nuts (D) so they are hand tight. (See Fig. 3-5B)
2. Holding the nose of the bar up, use the screwdriver or srench if provided in your User's Kit to turn the guide bar adjustment screw (E) (Fig. 3-5C) clockwise to tighten the chain. Turning the screw COUNTER-CLOCKWISE LOOSENS THE CHAIN on the guide bar.
3. After adjustment and while wearing heavy duty work gloves, move the saw chain back and forth on the guide bar to be sure the chain moves freely and is in proper mesh with sprocket. Do not move chain with bare hands.

NOTE: IF the chain is difficult to rotate or if it binds on the guide bar, too much tension has been applied and must be adjusted. To decrease tension, turn the adjustment screw counterclockwise slowly. Move the chain back and forth until it moves freely.

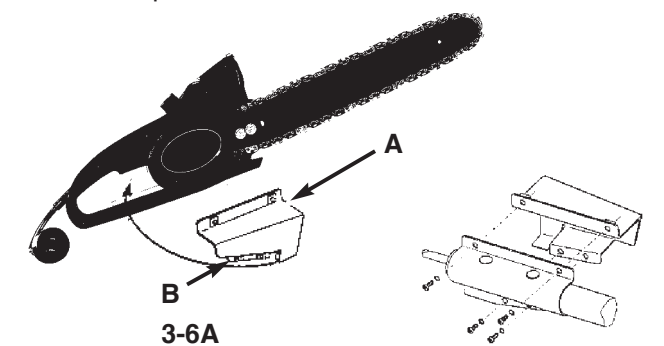
4. Holding the nose in upper position, securely tighten the bar retaining nuts (70 inch lbs.)



3 - ASSEMBLY INSTRUCTIONS

3-6. ASSEMBLY OF POLE SAW

1. Make sure the unit is unplugged from power source.
2. Slip handle bracket (A) over chain saw handle from the right side (See Fig. 3-6A). **NOTE:** The trigger must be depressed before the bracket will go onto the handle. Push the lock-off button and depress the trigger. While holding the trigger in, place the trigger support portion of the bracket under the trigger and slide the bracket onto the chain saw handle. The bracket will keep the trigger in the "ON" position.
3. Align holes in pole bracket with holes in handle bracket. Install Phillips head screws with lock washers through pole bracket from left side and thread into the weld nuts on the handle bracket. Tighten screws securely.
4. Plug the saw power cord into receptacle cord at end of inner pole.

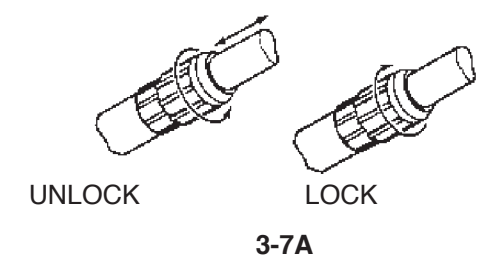


3-7. ADJUSTING POLE LENGTH

The pole saw has a telescoping pole assembly that will extend from 57 inches (fully retracted) to 96 inches (fully extended). A threaded compression coupling is used to hold the pole in position at any extended length.

1. To extend the pole, loosen coupling by turning coupling nut counterclockwise as shown in Fig. 3-7A. Pole will slide freely.
2. Pull inner pole section out to desired length of extension. **Note:** Only extend pole to minimum length required to reach limb that is being cut.
3. To lock pole in position, tighten coupling by turning coupling nut clockwise (See Fig. 3-7A) until firmly hand tight. Make sure saw handle is aligned with pole handle before tightening coupling nut.

IMPORTANT: Do not use wrench or pliers to over-tighten coupling. Damage to coupling or pole may result.



3 - ASSEMBLY INSTRUCTIONS

3-8. OILING CHAIN

To oil chain, press oil cap. Oil will feed onto guide bar and chain. Press oil cap at least once before each cut. Always check oil level before using pole saw. Do not attempt to operate the oiler while cutting with the pole saw.

3-9. CUTTING WITH THE POLE SAW

1. Connect saw to extension cord. Connect extension cord to power supply.
2. Use both hands to grip pole saw. Use only designated grip areas when operating pole saw (See Fig. 3-9A). Use firm grip. Thumbs and fingers must wrap around pole saw handle and pole.
3. Make sure your footing is firm. Keep feet apart. Divide your weight evenly on both feet.
4. When ready to make a cut, press in trigger switch lock-off and squeeze trigger switch (see Fig. 3-9B). This will turn pole saw on. Releasing trigger switch will turn pole saw off. Make sure saw is running at full speed before starting a cut.
5. When starting a cut, place moving chain against wood. Hold pole saw firmly in place to avoid possible bouncing or skating (sideways movement) of saw.
6. Guide pole saw using light pressure. Do not force pole saw. The motor will overload and can burn out. It will do the job better and safer at the rate for which it was intended.
7. Remove pole saw from a cut with saw running at full speed. Stop pole saw by releasing trigger. Make sure chain has stopped before setting pole saw down.
8. Never stand directly under the limb you are trimming. Always position yourself out of the path of falling debris.

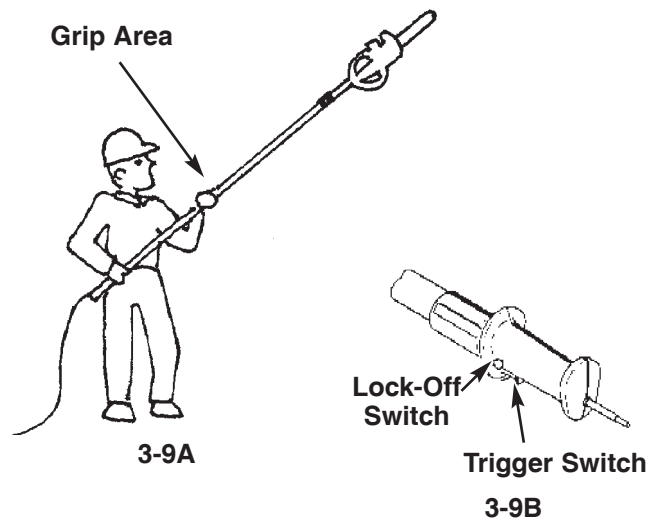
3-10. FILLING OIL TANK

Using a funnel, fill oil tank with McCulloch Chain, Bar and Sprocket oil. Wipe up any spills. Make sure no dirt gets into the oil tank.

3-11. SELECTING THE PROPER EXTENSION CORD FOR YOUR SAW MODEL

Saw Model	Ampere Rating	Volts AC	Minimum Gauge Wire		
			Length 25 ft. / 7.5m	Length 50 ft. / 15m	Length 100 ft. / 30m
MCP1510	8	120	18 Gauge	16 Gauge	14 Gauge

1. When using the chain saw, an extension cord of adequate size must be used for safety and to prevent loss of power and overheating.
2. The extension cord must be specifically intended for outdoor use and marked SW-A, SOW-A, STOW-A, SJW-A, SJOW-A, SJTOW-A, SJTW-A, OR SJTW.



4 - OPERATING INSTRUCTIONS

4-1. TO START SAW

1. PLEASE READ ALL WARNINGS.
2. Make sure oil reservoir is full.

WARNING

Ensure the extension cord is of the proper size and type for your saw.

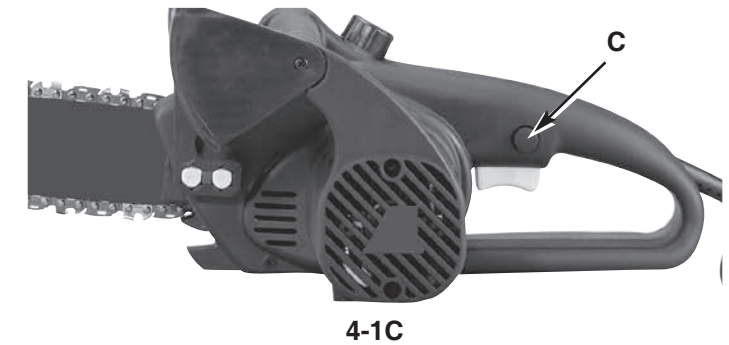
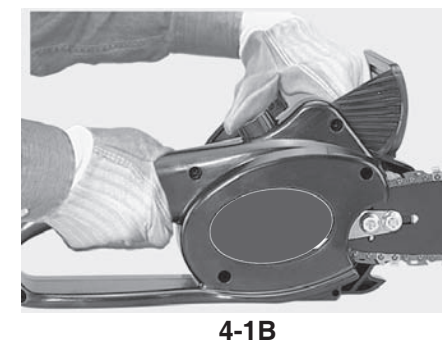
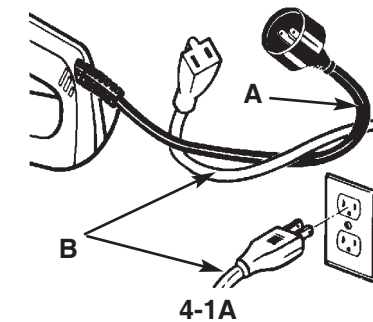
3. Plug the cord (A) into the appropriate size extension cord (B) (see Figure 3-11). Plug the extension cord into a 110/120 volt AC, 15 AMP receptacle (Figure 4-1A).

WARNING

Make sure the extension cord does not come in contact with the guide bar and saw chain.

4. Grip the saw with both hands, left hand holding the front handle and the right hand holding the rear handle. Thumbs and fingers should encircle both handles (Figure 4-1B).
5. With your RIGHT THUMB, depress the LOCK/OFF button (C) on the side of the rear handle, and at the same time squeeze the trigger. To stop the saw, release the trigger (Figure 4-1C).

NOTE: It is not necessary to maintain pressure on the LOCK/OFF button once the trigger is squeezed and the motor is running. The LOCK/OFF button is a safety device to avoid accidental starting.



4-2. TO STOP MOTOR

The saw motor will automatically stop when the trigger is released. The LOCK/OFF button will have to be depressed and the trigger squeezed to restart the motor.

4-3. CHAIN AND BAR LUBRICATION

Always check oil level before using saw. To oil chain, press oil cap. Do not attempt to operate the oiler while cutting with the saw. Oil will feed onto guide bar and chain. Press oil cap at least once before each cut. Check oil level often.

CAUTION

Never starve the bar and chain of lubrication oil. Running the saw DRY or with TOO LITTLE OIL will decrease cutting efficiency, shorten chain saw life, and cause rapid dulling of the chain and excessive wear of the bar from overheating. Too little is evidenced by smoke or bar discoloration.

NOTE: The saw chain stretches during use, particularly when it is new, and occasional adjustment will be needed. A new chain requires more frequent adjustment during the break-in period. This is normal. See Section 3-5 for Saw Chain Tension Adjustment instructions.

WARNING / CAUTION

A loose chain can jump off the bar while you are cutting, as well as wear the bar and chain. A chain that is too tight can damage the saw. Either situation, chain too loose or too tight, could cause serious personal injury.

4 - OPERATING INSTRUCTIONS

4-4. EXTENSION CORDS

When using an electric chain saw, plug it into the extension cord only when you are ready to cut wood. Connect the extension cord to a 110/120 voltage outlet.

NOTE: To prevent disconnection of the extension cord, tie a loose knot before connecting the ends together (Figure 4-4A).

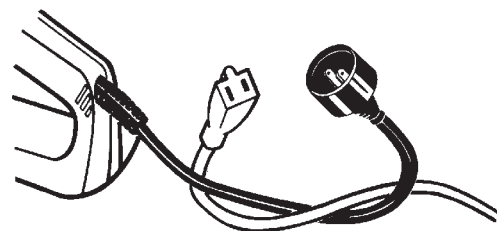
CAUTION

A cord that is hot to the touch is overloaded.

1. When using the chain saw, an extension cord of adequate size must be used for safety and to prevent loss of power and overheating.
2. The extension cord must be specifically intended for outdoor use and marked SW-A, SOW-A, STW-A, STOW-A, SJW-A, SJOW-A, SJTOW-A, STJW, or SJTW.
3. Inspect the extension power cord for loose or exposed wires and damaged insulation. If damaged, replace before using the appliance.

WARNING

Do not operate your chain saw in a wet or damp environment. Do not expose the saw to rain, snow or sleet. Moisture will cause short circuits. Replace or repair any damaged or frayed extension cords before using your saw. Keep the cord away from the cutting area and position the cord so that it will not be caught on branches or other objects during cutting.



4-4A

SAVE THESE INSTRUCTIONS

DOUBLE INSULATION NO SERVICEABLE PARTS INSIDE

Do not use if the cord or plug is damaged. Your appliance is double insulated to help protect against electric shock. Double insulation construction consists of two (2) separate "layers" of electrical insulation.

Appliances built with this insulation system are not intended to be grounded. As a result, the extension cord used with your appliance can be plugged into any conventional 120 volt electrical outlet.

Normal safety precautions must be observed when operating an electrical appliance. The double insulation system is only for added protection against injury resulting from a possible internal electrical insulation failure.

WARNING

Your double insulated appliance has no serviceable parts inside. Do not attempt to repair it yourself. For service information, contact the McCulloch Product Service Department toll-free number listed on the back cover of this manual.

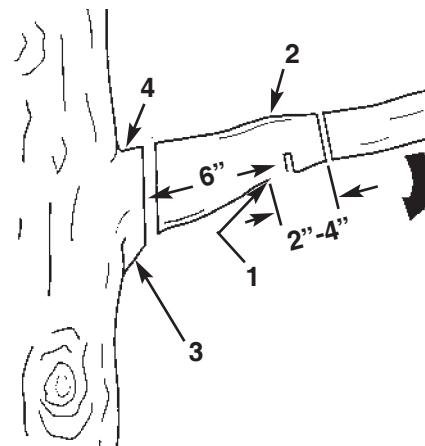
5-1. TRIMMING A TREE (PRUNING)

WARNING

Avoid kickback. Kickback can result in severe injury or death. See Kickback, page 6, to avoid risk of kickback. Do not operate pole saw while in a tree, on a ladder or any other unstable work surface, or in any awkward position. You may lose control of pole saw causing severe injury. Do not extend arms above shoulders when using pole saw. Seek professional help if facing conditions beyond your ability.

Trimming a tree is the process of cutting limbs from a living tree. Make sure footing is firm. Keep feet apart. Divide your weight evenly on both feet.

1. Make first cut six inches from tree trunk on underside of limb. Use top of guide bar to make this cut. (Cut 1/3 through diameter of limb, see Fig. 5-1A)
2. Move two to four inches farther out on limb. Make second cut from above limb. Make second cut from above limb. Continue cut until you cut limb off.
3. Make third cut as close to tree trunk as possible on underside of limb stub. Use top of guide bar to make this cut. Cut 1/3 through diameter of stub.
4. Make fourth cut directly above third cut. Cut down to meet third cut. This will remove limb stub.



5-1A

5-2. FELLING

Felling is the term for cutting down a tree. Small trees up to 6-7" (15-18cm) in diameter are usually cut in a single cut. Larger trees require notch cuts. Notch cuts determine the direction the tree will fall.

FELLING A TREE:

WARNING

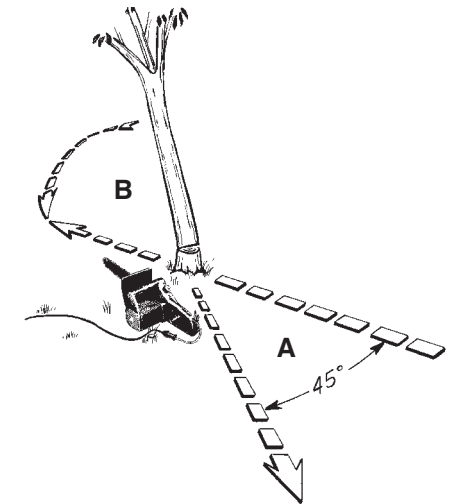
A retreat path (A) should be planned and cleared as necessary before cuts are started. The retreat path should extend back and diagonally to the rear of the expected line of fall, as illustrated in Figure 5-2A.

5 - GENERAL CUTTING INSTRUCTIONS

CAUTION

If felling a tree on sloping ground, the chain saw operator should keep on the uphill side of the terrain, as the tree is likely to roll or slide downhill after it is felled.

NOTE: Direction of fall (B) is controlled by the notching cut. Before any cuts are made, consider the location of larger branches and natural lean of the tree to determine the way the tree will fall.



5-2A

WARNING

Do not cut down a tree during high or changing winds or if there is a danger to property. Consult a tree professional. Do not cut down a tree if there is a danger of striking utility wires; notify the utility company before making any cuts.

GENERAL GUIDELINES FOR FELLING TREES:

Normally felling consists of two(2) main cutting operations, notching (C) and making the felling cut (D).

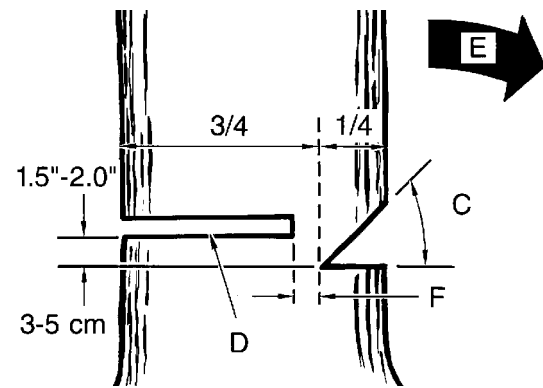
Start making the upper notch cut (C) on the side of the tree facing the felling direction (E). Be sure you don't make the lower cut too deep into the trunk.

The notch (C) should be deep enough to create a hinge (F) of sufficient width and strength. The notch should be wide enough to direct the fall of the tree for as long as possible.

WARNING

Never walk in front of a tree that has been notched. Make the felling cut (D) from the other side of the tree and 1.5" - 2.0" (3-5cm) above the edge of the notch (C) (Figure 5-2B).

5 - GENERAL CUTTING INSTRUCTIONS



5-2B

Never saw completely through the trunk. Always leave a hinge. The hinge guides the tree. If the trunk is completely cut through, control over the felling direction is lost. Insert a wedge or felling lever in the cut well before the tree becomes unstable and starts to move. This will prevent the guide bar from binding in the felling cut if you have misjudged the falling direction. Make sure no bystanders have entered the range of the falling tree before you push it over.

WARNING

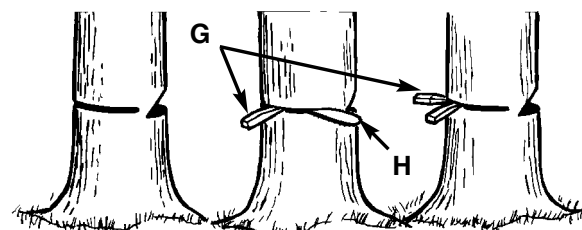
Before making the final cut, always recheck the area for bystanders, animals or obstacles.

FELLING CUT:

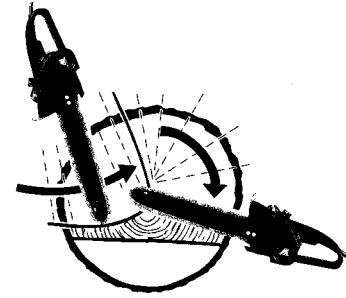
1. Use wooden or plastic wedges (G) to prevent binding the bar or chain (H) in the cut. Wedges also control felling (Figure 5-2C).
2. When diameter of wood being cut is greater than the bar length, make 2 cuts as shown (Figure 5-2D).

WARNING

As the felling cut gets close to the hinge, the tree should begin to fall. When tree begins to fall, remove saw from cut, stop engine, put chain saw down, and leave area along retreat path (Figure 5-2A).



5-2C



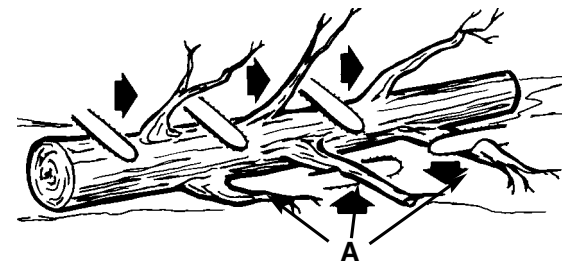
5-2D

5-3. LIMBING

Limbing a tree is the process of removing the branches from a fallen tree. Do not remove supporting limbs (A) until after the log is bucked (cut) into lengths (Figure 5-3A). Branches under tension should be cut from the bottom up to avoid binding the chain saw.

WARNING

Never cut tree limbs while standing on tree trunk.



5-3A

5-4. BUCKING

Bucking is cutting a fallen log into lengths. Make sure you have a good footing and stand uphill of the log when cutting on sloping ground. If possible, the log should be supported so that the end to be cut off is not resting on the ground. If the log is supported at both ends and you must cut in the middle, make a downward cut halfway through the log and then make the undercut. This will prevent the log from pinching the bar and chain. Be careful that the chain does not cut into the ground when bucking as this causes rapid dulling of the chain.

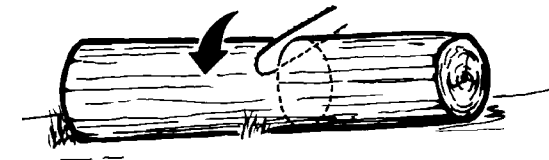
When bucking on a slope, always stand on the uphill side.

1. Log supported along entire length: Cut from top (overbuck), being careful to avoid cutting into the ground (Figure 5-4A).
2. Log supported on 1 end: First, cut from bottom (underbuck) 1/3 diameter of log to avoid splintering. Second, cut from above (overbuck) to meet first cut and avoid pinching (Figure 5-4B).

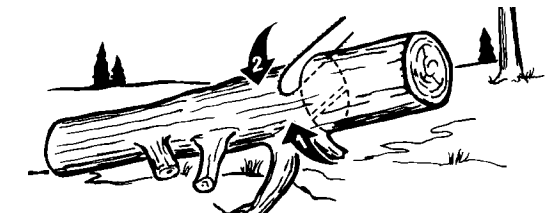
5 - GENERAL CUTTING INSTRUCTIONS

3. Log supported on both ends: First, overbuck 1/3 diameter of log to avoid splintering. Second, underbuck to meet first cut and avoid pinching (Figure 5-4C).

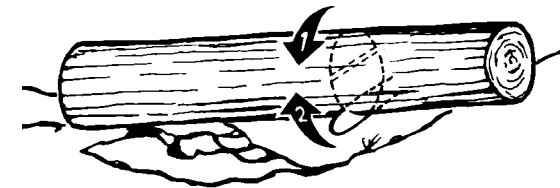
NOTE: The best way to hold a log while bucking is to use a sawhorse. When this is not possible, the log should be raised and supported by the limb stumps or by using supporting logs. Be sure the log being cut is securely supported.



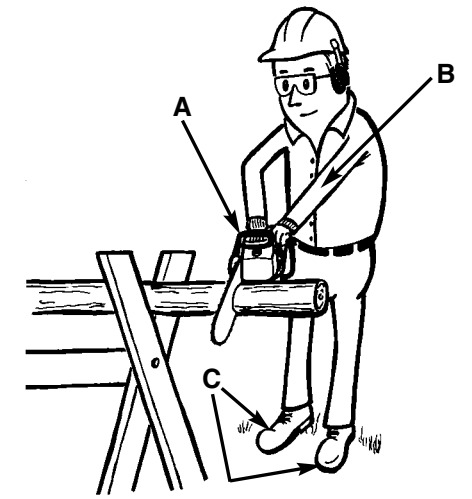
5-4A



5-4B



5-4C



5-5A

5-5. BUCKING USING A SAWHORSE

For personal safety and ease of cutting, the correct position for vertical bucking is essential (Figure 5-5A).

VERTICAL CUTTING:

- A. Hold the saw firmly with both hands and keep the saw to the right of your body while cutting.
- B. Keep the left arm as straight as possible.
- C. Keep weight on both feet.

CAUTION

While the saw is cutting, be sure the chain and bar are being properly lubricated.

6 - BAR/CHAIN MAINTENANCE

6-1. GUIDE BAR MAINTENANCE

WARNING

Ensure that the power cord is disconnected before performing any maintenance on your saw.

Proper maintenance of the guide bar, as explained in this section, is essential to keep your saw in good working order.

GUIDE BAR MAINTENANCE :

Most guide bar problems can be prevented merely by keeping the chain saw well maintained.

Incorrect filing and non-uniform cutter and depth gauge settings cause most guide bar problems, primarily resulting in uneven bar wear. As the bar wears unevenly, the rails widen, which may cause chain clatter and difficulty in making straight cuts.

Insufficient guide bar lubrication and operating the saw with a chain that is TOO TIGHT will contribute to rapid bar wear (see Section 6-2).

To help minimize bar wear, the following guide bar maintenance is recommended.

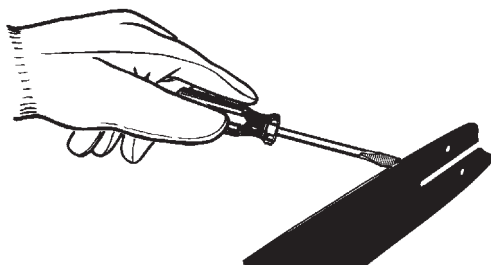
BAR WEAR - Turn guide bar frequently at regular intervals (for example, after 5 hours of use), to ensure even wear on top and bottom of bar.

BAR GROOVES - Bar grooves (or rails which support and carry the chain) should be cleaned if the saw has been heavily used or if the saw chain appears dirty. Rails should always be cleaned every time the saw chain is removed.

OIL PASSAGES - Oil passages at bar pad should be cleaned to ensure proper lubrication of the bar and chain during operation. This can be done using a soft wire small enough to insert into the oil discharge hole.

TO CLEAN GUIDE BAR RAILS:

1. Remove sprocket cover, bar and chain (see Section 3-4).
2. Using a screwdriver, putty knife, wire brush or other similar instrument, clear residue from the rails on the guide bar.
This will keep the oil passages open to provide proper lubrication to the bar and chain (Figure 6-1A).
3. Reinstall the bar, chain and bar bolt retaining nuts. (See Section 3-4).



6-1A

6-2. CHAIN MAINTENANCE INSTRUCTIONS

WARNING

Unless you have experience and specialized training for dealing with kickback (see Safety Precautions), always use a low-kickback saw chain, which significantly reduces the danger of kickback. Low-kickback saw chain does not completely eliminate kickback. A low-kickback or "safety chain", should never be regarded as total protection against injury. A low kick saw chain should always be used in combination with other kickback protection devices such as a hand guard and reduced kickback guide bar supplied with the your unit.

Always use a replacement saw chain designed as "low-kickback" or a saw chain which meets the low-kickback performance.

A standard saw chain (a chain which does not have the kickback reducing guard links) should only be used by an experienced professional chain saw operator.

What is a Low-Kickback Saw Chain?

A low-kickback saw chain is a chain which has met the kickback performance requirements of ANSI B175.1. Do not use other replacement chain unless it has met these requirements for your specific model.

By keeping the saw chain in good working condition and correctly serviced as recommended in this manual, you will be able to maintain the safety system of your chain saw over the life of the product.

WARNING

Never remove, modify or make inoperative any safety device furnished with your unit. The hand guard, reduced kickback guide bar and low kick back saw chain are major safety features provided for your protection.

WARNING

Always wear heavy duty protection work gloves and disconnect the extension cord when working on the saw chain.

CHAIN TENSION:

Check the chain tension frequently and adjust as often as necessary to keep the chain snug on the bar, but loose enough to be pulled around by hand. (See Section 3-5, Saw Chain Tension Adjustment).

BREAKING IN A NEW SAW CHAIN

A new chain and bar will need readjustment after as few as five (5) cuts. This is normal during the break-in period, and the interval between future adjustments will begin to lengthen quickly.

Over a period of time, however, the moving parts of the saw chain will become worn, resulting in what is called CHAIN STRETCH. This is normal. When it is no longer possible to obtain correct chain tension adjustment, a link will have to be removed to shorten the chain. See your McCulloch Authorized Service Center to have this repair performed.

WARNING / CAUTION


Never have more than three (3) links removed from a loop of chain this could cause damage to the sprocket.

7 - PREVENTIVE MAINTENANCE

7-1. PREVENTATIVE MAINTENANCE

WARNING

SERVICING A DOUBLE INSULATED CHAIN SAW

In this double insulated chain saw, 2 systems of insulation, instead of grounding, are provided. No grounding means is provided on a double insulated chain saw, nor should a means for grounding be added to the chain saw. No serviceable parts are inside. A double insulated chain saw is marked with the words, "DOUBLE INSULATION" or "DOUBLE INSULATED". The symbol  (square within a square) may also be marked on the chain saw.

1. Place switch in OFF position and unplug the power supply before the chain saw is serviced, cleaned, or maintenance is performed.
2. Keep the air intake clean and air vents free of debris to avoid overheating the motor.
3. Clean with a damp sponge and mild soap. Do not squirt with a water hose or douse with water or other liquids.
4. Inspect the saw chain for proper tension before each use and frequently during cutting. Sharpen as required.
5. Clean the guide bar and bar pad to ensure free path for oil.
6. Turn the bar over after each use to achieve even wear.
7. No motor lubrication is necessary. The motor is equipped with lifetime lubricated bearings.
8. If the saw does not operate, turn switch to OFF position and disconnect the extension cord, first from the power supply, then from the saw. Check the power supply for blown fuses or tripped circuit breakers. If it still does not operate, contact the McCulloch Product Service Department, through the toll-free number listed on the back cover of this manual, for service information. Do not attempt to repair it yourself. No serviceable parts are inside.

8 - ONE YEAR LIMITED WARRANTY

1. DURATION

The duration of the warranty for this McCulloch product is as follows: ONE (1) YEAR from date of original purchase only when used for personal, family, household, farm or ranch, purposes, provided the unit is not used for rental purposes; NINETY (90) DAYS from date of original purchase when used for commercial, professional, institutional or rental purposes. This warranty gives you specific legal rights. You may also have other rights which vary from state to state. MCCULLOCH CORPORATION HEREBY DISCLAIMS ALL IMPLIED WARRANTIES AFTER THE APPLICABLE EXPIRATION DATES OF THIS EXPRESS LIMITED WARRANTY. (Some states do not allow limitations on how long an implied warranty lasts, so the above limitations may not apply to you.)

2. WHO GIVES THIS WARRANTY

McCulloch U.S.A 1-800-521-8559
1030 Stevens Creek Road, Augusta, GA 30907

3. WHO RECEIVES THIS WARRANTY

- The buyer (other than for purposes of resale) of the McCulloch Product.
- Any person to whom such product is lawfully transferred within the duration of the implied or written warranty applicable to the product.
- Any other person who is entitled by the terms of the warranty or under applicable state law to enforce against the Warrantor the obligation of the warranty.
(The above mentioned parties are hereinafter referred to as "User.")

4. WHAT IS COVERED UNDER THIS WARRANTY

Any failure that occurs within the applicable duration of the warranty period that is the result of defects in materials or workmanship.

5. WHAT IS NOT COVERED UNDER THIS WARRANTY

- Any incidental or consequential damages that may result from the failure or malfunction of the McCulloch product. (Some states do not allow the exclusion or limitation of incidental or consequential damages, so these limitations may not apply to you.)
- Any failure that results from an accident, User abuse, neglect or failure to operate the product in accordance with the instructions provided in the User Manual(s) supplied with the product, or that results from improper servicing by an unauthorized repair facility.
- Normal adjustments which are explained in the User Manual(s) provided with the product.
- Any component(s) or accessories not sold or manufactured by the Warrantor.
- Predelivery setup or assembly of units.
- This warranty does not apply to accessories, normal maintenance or adjustment(s) of the product set forth in the User Manual(s).

6. RESPONSIBILITIES OF THE WARRANTOR UNDER THIS WARRANTY

- Repair or replace components which have failed within the duration of the applicable warranty period at no cost to the User.
- Ensure that the authorized repair station is reimbursed for parts and labor costs incurred due to performance of a warranty repair in accordance with established warranty policies and procedures.

7. RESPONSIBILITIES OF THE USER UNDER THIS WARRANTY

- The User must deliver or ship the McCulloch product covered under this warranty to the dealer from whom it was originally purchased or to the nearest Authorized Service Center. **Proof of purchase is required.**
- Freight costs, if any, will be borne by the user.
- Use reasonable care in maintenance, operations and storage of the product as explained in the User Manual(s).

8. WHEN WARRANTOR WILL PERFORM OBLIGATION UNDER THIS WARRANTY

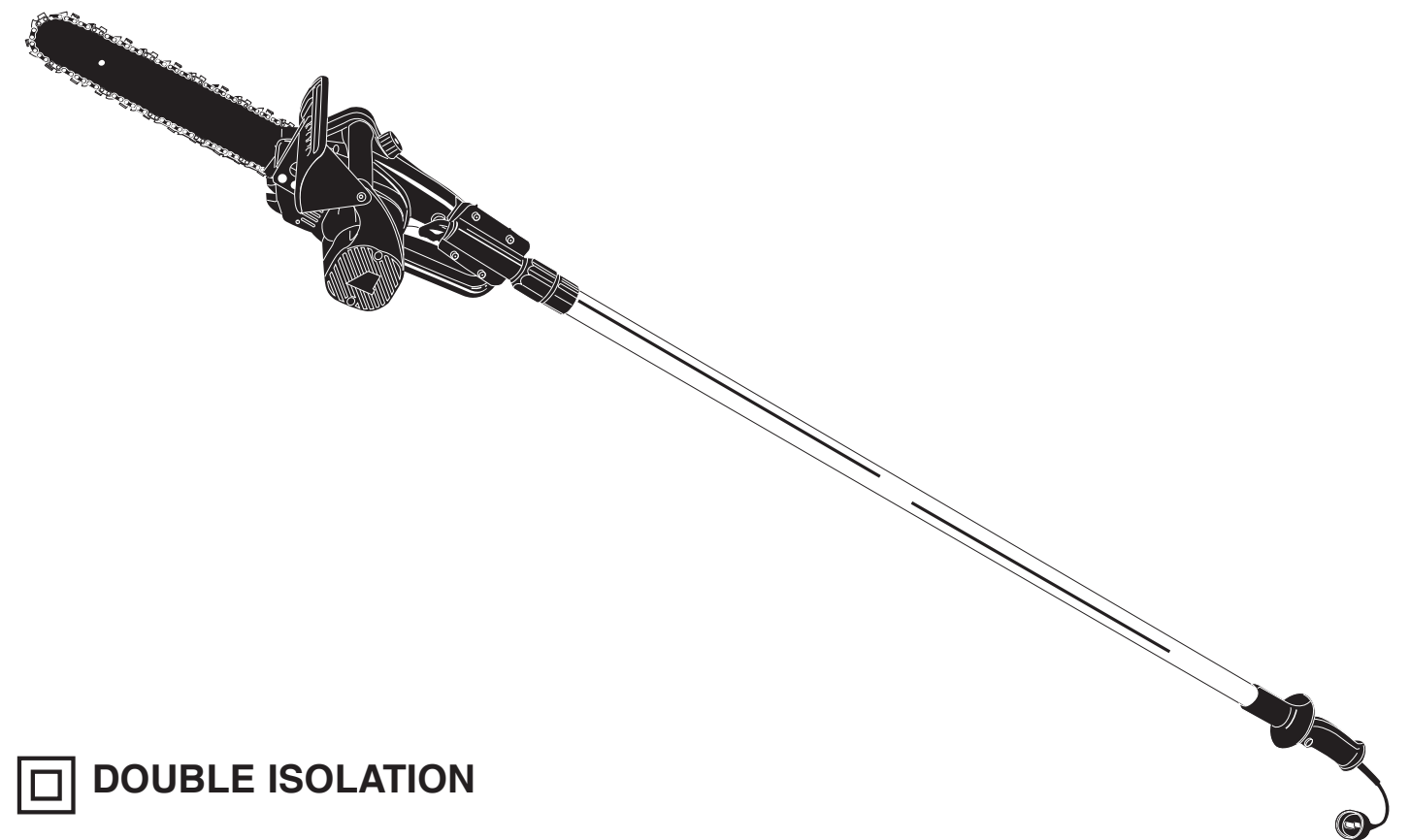
- Repair of warrantable products will be scheduled according to the normal work flow at the servicing location, depending on the availability of replacement parts.
- Repair time which exceeds ten (10) days from the time the product was delivered to the servicing agent will extend the warranty coverage by the number of days the product remains inoperable.
- If User does not receive satisfactory results from local servicing outlet, User must contact McCulloch Corporation, by calling our toll-free telephone number.



MANUEL DE UTILISATION PERCHE-LAGUEUSE-LECTRIQUE

Modèle : MCP1510

SECURITE
FONCTIONNEMENT
ENTRETIEN



 **DOUBLE ISOLATION**

AVERTISSEMENT • LIRE ATTENTIVEMENT

Attention aux rebonds. Tenez toujours la tronçonneuse fermement et des deux mains. Pour votre propre sécurité, veuillez lire attentivement ce manuel et suivre toutes les mesures de précautions indiquées avant de vous servir de la tronçonneuse. Utilisé incorrectment, cet outil peut causer des dommages matériels et/ou corporels graves.

INTRODUCTION

A LIRE ATTENTIVEMENT

Cher client,
Nous vous remercions de l'achat d'un produit McCulloch. Correctement utilisé et entretenu, il vous procurera des années de satisfaction.

Il est **IMPERATIF** que vous preniez connaissance de **LA TOTALITE** de ce manuel avant d'utiliser l'outil ou de procéder à des opérations d'entretien.

Veillez à bien suivre les instructions pas à pas données dans le présent manuel pour démarrer, mettre en oeuvre et maintenir votre nouveau produit en condition.

Ce manuel contient également des mises en garde et renseignements intitulés: **REMARQUES, AVERTISSEMENT / ATTENTION** et **GARANTIE**.

Une **REMARQUE**: fournit des renseignements complémentaires, éclaire un point ou explique une étape à suivre en plus de détails.

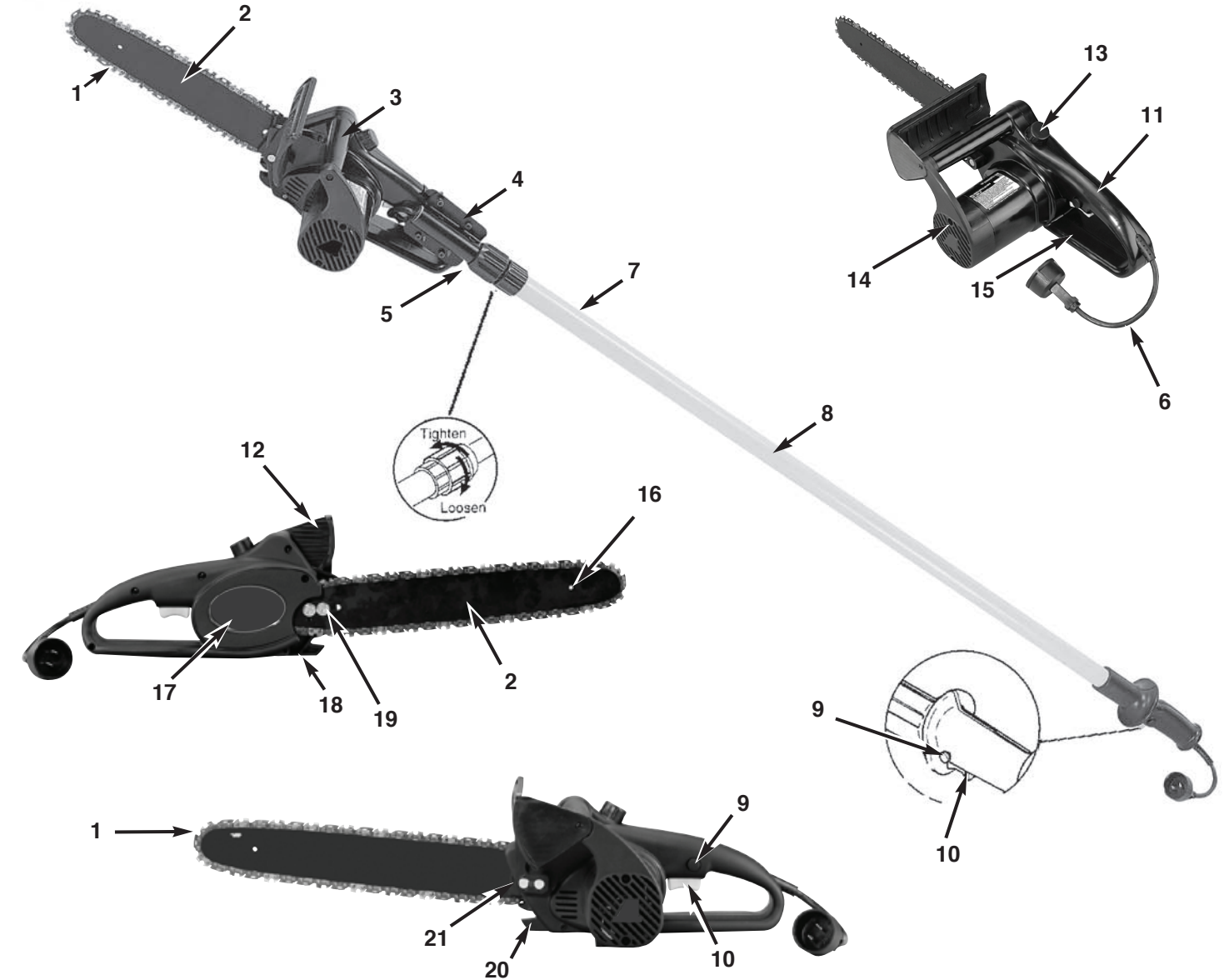
La notice **AVERTISSEMENT** ou **ATTENTION** est utilisée pour identifier une procédure qui, si négligée ou incorrectement exécutée, peut entraîner des dommages matériels et/ou corporels graves.

Le **G** (**SYMBOLE DE GARANTIE**) indique que si les procédures ou instructions ne sont pas respectées, les dommages ne seront pas couverts par la garantie et les réparations seront à la charge du propriétaire.

Les précautions de sécurité sont pour votre protection; Veuillez les lire attentivement; vous devez connaître ces importants renseignements afin d'utiliser correctement votre perche élagueuse.

POUR OBTENIR UN SERVICE SOUS GARANTIE, CONTACTEZ LE CENTRE DE SERVICE AUTORISÉ McCULLOCH LE PLUS PROCHE DE CHEZ VOUS - TROUVEZ-LE EN APPELANT LE NUMÉRO SANS FRAIS INDIQUÉ DANS CE MANUEL.

1 - GENERALITES



1-1. RENSEIGNEMENTS GENERAUX

- | | |
|------------------------------------|----------------------------------|
| 1. Chaîne | 12. Arceau protecteur |
| 2. Guide-chaîne | 13. Bouchon du réservoir à huile |
| 3. Poignée avant | 14. Moteur électrique |
| 4. Patte de fixation de la poignée | 15. Arceau protecteur arrière |
| 5. Intérieur de la canne | 16. Tête du guide chaîne |
| 6. Câble d'alimentation | 17. Couvercle du pignon |
| 7. Ecrou d'assemblage | 18. Capteur de chaîne |
| 8. Extérieur de la canne | 19. Ecrous du guide-chaîne |
| 9. Bouton de blocage | 20. Griffes |
| 10. Gâchette marche/arrêt | 21. Vis de réglage de tension |
| 11. Poignée arrière | |

1 - GENERALITES

1-2. DISPOSITIFS DE SECURITE

Afin de vous aider à localiser les dispositifs de sécurité, les numéros précédant les descriptions correspondent à ceux de la page précédente.

- 1 Grâce aux limiteurs de profondeurs et aux maillons spécialement conçus, une **CHAÎNE A REBONDS REDUITS** diminue l'intensité et la quantité de rebonds
- 2 **GUIDE-CHAÎNE** La barre réduite de guide de dessous de table réduit l'intensité.
- 9 Le **BOUTON D'ARRET / BLOCAGE** empêche une accélération involontaire du moteur de la tronçonneuse. On ne peut appuyer sur la gâchette si le bouton d'arrêt et de blocage est enclenché.
- 10 **BOUTON MARCHE / ARRET** arrête le moteur de la tronçonneuse quand relâché.
- 11 Le **ARCEAU PROTECTEUR** protège la main gauche de l'utilisateur si elle glisse de la poignée avant, pendant que la tronçonneuse est en marche.
- 14 Le **MOTEUR ELECTRIQUE** possède une double isolation pour plus de sécurité.
- 18 Le **CAPTEUR DE CHAÎNE** réduit le danger de blessures en cas de rupture ou de sortie de la chaîne pendant tout fonctionnement. Le capteur du chaîne est conçu de manière à intercepter la chaîne.

CARACTERISTIQUES

MODÈLE	MCP1510
Entrée120V~, 60Hz, 8Amp
Culminer la Puissance1.5HP
Longueur de la canne10" (25cm)
Capacité du réservoir à Huile50ml
Poids net7.5 lbs. (3.4Kg)

2 - MEASURES DE SECURITE

MESURES DE SECURITE POUR UTILISATEURS DE TRONCONNEUSES (ANSI B175.1-1991, Annexe C) (CAN3-Z62.1-M85 FEB 85, Appendices A, B)

Votre tronçonneuse McCulloch comprend une étiquette d'avertissement située sur le ARCEAU PROTECTEUR. Cette étiquette et les règles de sécurité comprises dans ces pages doivent être lues attentivement avant toute utilisation de la tronçonneuse.

2-1. INTERPRETATIONS DES SYMBOLES ET COULEURS :

ROUGE AVERTISSEMENT

Utilisé pour vous avertir qu'une procédure dangereuse est à éviter.

VERT RECOMMANDE

Procédures de coupe recommandées.

AVERTISSEMENT

(Figure 2-1A)

1. Attention aux rebonds.
2. Ne pas se servir de la tronçonneuse d'une seule main.
3. Eviter tout contact avec la pointe du guide-chaîne.



2-1A

RECOMMANDE

4. Tenir la tronçonneuse fermement, des deux mains.

AVERTISSEMENT

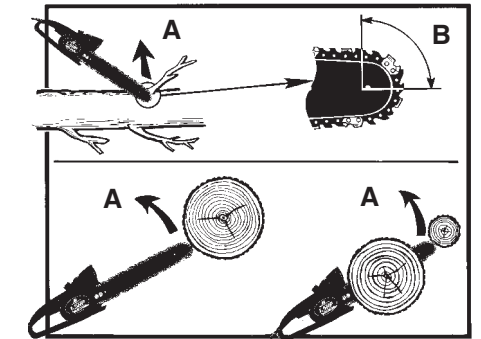
2-2. DANGER! ATTENTION AUX REBONDS!

Les rebonds peuvent vous faire perdre contrôle de votre outil et entraîner des blessures graves et même mortelles soit à l'utilisateur soit à une autre personne se trouvant à proximité. Être toujours vigilant. Les plus grands dangers proviennent des rebonds causés par une rotation ou un coinçage, la cause principale de la plupart des accidents.

ATTENTION AUX :

REBONDS ROTATIFS (Figure 2-2A)

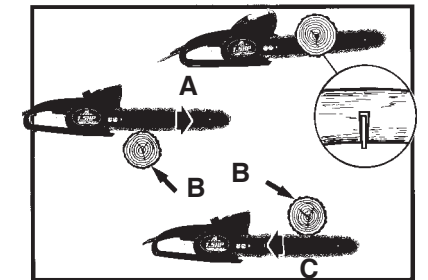
- A = Trajectoire rebonds
- B = Zone de réaction rebonds



2-2A

LES REACTIONS (REBOND COINAGE) ET DE PROPULSION (Figure 2-2B)

- A = Propulsion vers l'avant
- B = Objets solides
- C = Poussée vers l'utilisateur



2-2B

Il y a des risques de REBONDS si la POINTE o TETE du guide-chaîne entre en contact avec un objet, ou si le bois se resserre et coince la chaîne de la tronçonneuse dans l'entaille.

Un contact avec le tête du guide-chaîne peut parfois causer une réaction inverse instantanée, causant un soubresaut du guide-chaîne, le poussant vers le haut et l'arrière (mouvement en arc), c'est à dire vers l'utilisateur.

COINCER la chaîne de la tronçonneuse le long du bas du guide-chaîne risque de TIRER la tronçonneuse vers l'avant, en direction opposée de l'utilisateur.

Chacune de ces réactions risque de vous faire perdre contrôle de la tronçonneuse, ce qui peut entraîner de sérieuses blessures.

2 - MEASURES DE SECURITE

2-3. INSTRUCTIONS DE SECURITE IMPORTANTES

AVERTISSEMENT

Il est nécessaire de toujours suivre des précautions de base pendant toute utilisation d'une tronçonneuse électrique afin de réduire tout risque d'incendie, de choc électrique et de blessures. Ces précautions comprennent les points suivants:

LIRE TOUTES LES INSTRUCTIONS

1. Double isolation - Aucune pièce interne réparable.
2. Pour réduire les risques de secousses électriques, cet équipement est équipé d'une fiche polarisée (une broche est plus large que l'autre). Cette fiche ne peut être branchée que dans un sens dans une prise de courant polarisée. Si la fiche ne pénètre pas dans la prise de courant, l'inverser. Si on ne peut toujours pas la brancher dans la prise de courant, s'adresser à un électricien qualifié pour qu'il pose une prise de courant adéquate. Ne jamais modifier la fiche.
3. Comprendre ce qui cause les rebonds peut réduire ou éliminer l'élément de surprise. L'effet de surprise contribue aux accidents.
4. GARDER LE SECTEUR DE TRAVAIL NET : Un lieu de travail encombré est propice aux blessures. Ne pas commencer de coupe avant d'avoir un lieu de travail dégagé, une position stable et une voie de retraite planifiée.
5. PROTECTION CONTRE LES CHOCS ELECTRIQUES : Empêcher tout contact corporel avec toutes surfaces de terre tels tuyaux métalliques, grilles).
6. OBSERVER LES ALENTOURS DE VOTRE SECTEUR DE TRAVAIL: Etre vigilant lors de la coupe de petits buissons et arbustes car les matériaux plus fins peuvent «s'attraper» dans la chaîne et être projetés dans votre direction ou vous faire perdre l'équilibre. Ne jamais se servir de la tronçonneuse en se tenant dans un arbre à moins d'avoir reçu une formation spéciale. Faire attention à ne pas être heurté par les branches sous tension qui se relâchent lors de leur coupe. Ne pas laisser la tronçonneuse exposée aux intempéries. Ne pas laisser la tronçonneuse exposée aux intempéries. Ne pas utiliser la tronçonneuse dans un endroit mouillé ou humide. Ne pas utiliser la tronçonneuse en présence de produits (liquides ou gaz) combustibles.
7. GARDER LES ENFANTS ET SPECTATEURS A DISTANCE: Ne laisser personne toucher la tronçonneuse ou le prolongateur. Personne d'autre que l'opérateur ne doit se trouver dans le rayon d'action de la machine

8. RANGER UNE TRONCONNEUSE INUTILISEE: Quand non utilisée, ranger la tronçonneuse hors de la portée des enfants, à une hauteur inaccessible ou sous clé, et dans un endroit sec.
9. NE PAS FORCER LA TRONCONNEUSE: La tronçonneuse aura une meilleure performance, et une plus sûre, si elle est utilisée au rythme pour lequel elle a été conçue.
10. UTILISER LE BON OUTIL: Ne couper que du bois. Ne pas utiliser la tronçonneuse à des fins pour lesquelles elle n'apas été conçue. Ne jamais utiliser la tronçonneuse pour couper plastique, maçonnerie, ou tout autre matériel n'étant pas pour la construction.
11. S'HABILLER DE MANIERE APPROPRIEE: Ne pas porter de vêtements trop amples ou de bijoux car ils risquent de vous gêner et de se faire prendre dans une partie mobile de l'appareil. L'utilisation des élastiques et des semelles antidérapantes est recommandée pour tout travail à l'extérieur. Les cheveux longs doivent être protégés par un casque ou autre protection.
12. PORTER DES LUNETTES DE SECURITE : Portez également des chaussures de sécurité, des guêtres de sécurité, des vêtements ajustés, des gants de protection, une protection de tête.
13. RESTER VIGILANT: Attention à ce que vous faites. Utiliser votre sens commun. Ne pas manier la tronçonneuse par moments de fatigue. Rester à l'écart de la chaîne quand le moteur est en marche. Avant de mettre le moteur en marche, s'assurer que la chaîne ne touche rien.
14. ENTREtenir LA TRONCONNEUSE AVEC SOIN: Vérifier les cordons d'alimentation de la tronçonneuse périodiquement, et si nécessaire les faire réparer par un atelier de réparation agréé. Garder toujours le cordon électrique loin de la chaîne et de l'opérateur. Ne jamais transporter la tronçonneuse par le câble d'alimentation et ne jamais tirer dessus pour le débrancher. Ne pas laisser câble et cordons entrer en contact avec toute huile ou objets tranchants. Vérifier périodiquement prolongateurs et remplacer si nécessaire. Garder les outils propres affûtés pour une meilleure performance. Suivre les instructions de lubrification et de remplacement des pièces. Maintenir les poignées propres, sèches et exemptes d'huile et de lubrifiant.
15. DEBRANCHER LA TRONCONNEUSE: Débrancher la tronçonneuse quand non utilisée, avant tout service, et pour tout changement de pièces et accessoires tels le guide-chaîne et la chaîne.
16. CORDONS PROLONGATEURS D'EXTERIEUR : Utilisez uniquement des cordons prolongateurs destinés à une utilisation en extérieur et donc marqués en conséquence.

2 - MEASURES DE SECURITE

17. EXAMINER LES PIECES: Avant toute autre utilisation de la tronçonneuse, un guide-chaîne ou toute autre pièce endommagée devrait être examinée soigneusement afin de pouvoir déterminer si son fonctionnement sera adéquat à sa fonction prévue. Vérifier le montage, l'alignement et la fixation de toute pièce mobile; vérifier qu'il n'y a pas de pièces cassées ou tout autre problème qui affecterait son fonctionnement. Un guide-chaîne ou toute pièce endommagée devrait être réparée correctement ou remplacée par un centre de réparations agréé, sauf indication contraire dans ce manuel d'instructions.
Faites remplacer les commutateurs défectueux par un centre de réparation autorisé. N'utilisez pas la tronçonneuse si l'interrupteur ne se met pas sur marche ou sur arrêt. N'utilisez pas une tronçonneuse qui est endommagée, mal réglée, ou assemblée de façon incomplète et non sûre. Assurez-vous que la tronçonneuse cesse de bouger lorsque la gâchette est relâchée.
18. TRANSPORT DE LA TRONCONNEUSE: Transporter la tronçonneuse en la tenant par la poignée avant; s'assurer que la tronçonneuse est en position «Arrêt» et garder vos doigts loin de la gâchette; s'assurer aussi que le guide-chaîne et la chaîne sont vers l'arrière.
19. ATTENTION AUX REBONDS:

AVERTISSEMENT:

Les REBONDS peuvent se produire si la tête du guide-chaîne touche un objet, ou si le bois se resserre sur la chaîne de la tronçonneuse dans la coupe. Si un contact a lieu avec la tête du guide-chaîne, la tronçonneuse peut, en l'espace d'une seconde, être projetée de manière incontrôlée dans un mouvement en arc, en direction de l'opérateur. Coincer la chaîne le long de la partie supérieure du guide-chaîne peut pousser le guide-chaîne vers l'arrière, vers l'opérateur. Chacune de ces réactions peut vous faire perdre contrôle de la tronçonneuse et peut entraîner de sérieuses blessures. Suivre les précautions suivantes afin de minimiser les risques de rebonds.

- A. TENIR LA TRONCONNEUSE FERMEMENT: Quand le moteur est en marche, tenir la tronçonneuse fermement des deux mains. Maintenir la tronçonneuse de manière sûre des deux mains, la main droite sur la poignée arrière et la main gauche sur la poignée avant. Maintenir fermement, pouces et doigts bien refermés sur les poignées de la tronçonneuse.
- B. Ne pas trop se pencher en avant.
- C. Garder toujours une assise stable et un bon équilibre.
- D. Ne pas laisser la tête du guide-chaîne entrer en contact avec un tronc, une branche ou autres obstacles. Ne pas scier au-dessus de la hauteur des épaules.
- E. Ne pas couper au-dessus de la hauteur d'épaule.
- F. Utiliser des dispositifs, tels que chaîne à rebonds réduits, protège, tête de guide-chaîne, freins de chaîne, et guides-chaînes spéciaux, qui réduisent les risques associés aux rebonds.

- G. Utiliser uniquement les guides-chaînes et chaînes spécifiés par le fabricant ou leur équivalent.
 - H. Il n'y aucune autre pièce de rechange qui permet d'obtenir une protection contre les rebonds selon la norme de l'ACNOR Z62-3.
20. ALIMENTATION ELECTRIQUE: Brancher la fiche électrique de la tronçonneuse dans une prise à tension correspondante; s'assurer que la tension du réseau de distribution correspond à la tension nominale de l'appareil indiquée sur la plaque caractéristique de l'outil.
 21. NE JAMAIS UTILISER une tronçonneuse endommagée, mal ajustée, non complètement ou incorrectement montée. S'assurer qu'il y a arrêt de la chaîne quand la gâchette est relâchée.
 22. NE PAS utiliser la tronçonneuse au delà de vos capacités ou expérience.
 23. NE PAS utiliser la tronçonneuse d'une seule main! De graves blessures à l'opérateur, toute personne l'aidant ou spectateurs pourraient en résulter. Un tronçonneuse est conçue pour être utilisée des deux mains.
 24. POUR REDUIRE les chocs électriques éventuels, ne pas utiliser la tronçonneuse sur des surfaces mouillées et glissantes, pendant des tempêtes de neige ou des orages ou autres conditions atmosphériques adverses.
 25. NE PAS laisser de sciure, terre, débris s'accumuler sur le moteur ou sur les fentes d'air extérieures.
 26. Suivre les instructions d'affûtage et d'entretien pour tronçonneuse indiquées par le fabricant.
 27. Scier, le moteur à vitesse maxima.
 28. Seules les personnes mûres, ayant reçues une instruction appropriée devraient pouvoir utiliser une tronçonneuse.
 29. Votre tronçonneuse est destinée à une utilisation domestique occasionnelle. Elle n'est pas faite pour une utilisation intensive en continu.
 30. NE PAS FORCER une petite tronçonneuse pour des travaux exigeant un outil plus approprié pour de gros travaux.
 31. CONTROLER LES DISPOSITIFS ELECTRIQUES. Ne pas utiliser la tronçonneuse si les interrupteurs/boutons ne fonctionnent pas correctement. Ne pas essayer de les réparer. Apporter la tronçonneuse à un Service Après-Vente McCulloch agréé.
 32. ENTREtenir LES PROLONGATEURS. Vérifier les rallonges électriques périodiquement et remplacer si endommagées. Utiliser exclusivement des prolongateurs prévus pour usage en extérieur.

2 - MEASURES DE SECURITE

33. NE PAS UTILISER VOTRE TRONCONNEUSE près de produits (liquides ou gaz) inflammables, que ce soit à l'extérieur ou à l'intérieur. Une explosion et/ou incendie pourrait en résulter.
34. Cette tronçonneuse électrique est classifiée tronçonneuse catégorie 2C par ACNOR. Elle est conçue pour des usages inféquents de travaux tels que dégager, tailler ou couper du bois... par des propriétaires de maison ou résidences secondaires ou par des campeurs. Elle n'est pas conçue pour une utilisation prolongée. Si le travail prévu demande de longues périodes d'utilisation, la vibration risque de causer des problèmes de circulation aux mains de l'opérateur. Il serait approprié d'utiliser une tronçonneuse pourvue d'un dispositif anti-vibration.
35. NE JAMIAS EN LEVER, modifier ou paralyser un dispositif de sécurité fourni avec l'appareil.
36. Il faut utiliser les vêtements de sécurité requis par vos organismes de sécurité, par la réglementation gouvernementale, ou par votre employeur ; à défaut, il faut porter des vêtements ajustés, des chaussures de sécurité, des guêtres de sécurité et des protections pour les mains et les oreilles.
37. Pendant tout travail d'abattage, garder une distance minimale de la longueur de deux arbres entre vous et les autres travailleurs.
38. Tous les services d'entretien de la tronçonneuse, à l'exception de ceux mentionnés dans le manuel d'utilisation et d'entretien, doivent être effectués par un personnel compétent. Ne pas essayer de faire les réparations soi-même ; il n'y a pas de pièces internes réparables.

REMARQUE : Une chaîne à «rebonds réduits» répond aux normes de performance pour «rebonds réduits» exigées par ANSI B175.1-1991 et correspond aux critères de la norme ACNOR Z62.3. Ne pas utiliser d'autre chaîne de rechange à moins qu'elle ne réponde aux exigences de votre modèle en particulier.

39. **G** N'UTILISER AUCUN AUTRE ACCESSOIRE OU ACCESSOIRE DE COUPE. Utilisez exclusivement les accessoires et pièces de rechange McCulloch, qui ont été spécifiquement conçus pour des performances et pour une sécurité optimales lors de l'utilisation de nos produits. Faute de quoi, vous risquez d'obtenir des performances réduites, voire de vous mettre en danger. Utilisez exclusivement la chaîne et la barre fournies avec ce produit. Ne pas utiliser d'autre accessoire de coupe. L'utilisation de ce type d'accessoires provoquera l'annulation de votre garantie fabricant et risque de vous exposer à des accidents graves.

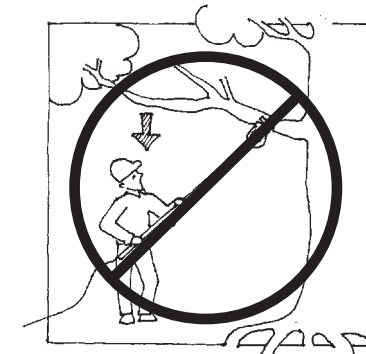
2-4. PRECAUTIONS D'UTILISATION D'UNE PERCHE ELAGUEUSE

- Attention à ne pas trébucher sur le prolongateur pendant l'utilisation de la perche élagueuse; Ecartez le prolongateur de la perche élagueuse et de l'utilisateur
- Éloigner les spectateurs à une distance de 50 pieds (15 mètres) quand la scie est em marche.
- Ne pas utiliser la perche élagueuse pour abattre un arbre; A cet effet, utiliser la tronçonneuse sans la perche
- Tenir la perche élagueuse fermement, une main sur la canne, l'autre sur la poignée.
- Ne mettre le doigt sur l'interrupteur qu'au moment de couper.
- S'assurer que la chaîne ne touche rien, avant de mettre l'appareil en marche.
- Rester à l'écart de la chaîne lorsque le moteur est en marche.
- Ne pas forcer l'appareil pendant la coupe. Une légère pression est suffisante et vous obtiendrez une meilleure performance et une plus s'ère en l'utilisant à la puissance pour laquelle il a été conçu.
- Rester vigilant en coupant petites ou grosses branches sous tension, car au moment où la tension se relâche, le bois peut avoir un mouvement ressort et heurter l'utilisateur pouvant ainsi causer de sérieuses blessures parfois mortelles.
- Avant de déplacer la perche élagueuse:
 - Débrancher l'appareil
 - faire glisser la canne télescopique à sa position la plus courte
 - tenir l'appareil à son point d'équilibre (vers le bout de la tronçonneuse)
 - garder chaîne et guide chaîne vers l'arrière.
- Ne pas couper de petits buissons ou jeunes arbres avec la perche élagueuse; utiliser exclusivement la tronçonneuse avec soin. Les fines branches peuvent se coincer dans la chaîne et être projetées vers vous, ce qui peut vous faire perdre votre équilibre.
- Ne jamais se tenir sous la branche que vous coupez. Rester toujours à l'écart des chutes de débris (voir figure 2-3A)
- Ne jamais se mettre sur une échelle ou autre support instable pendant l'utilisation de la perche élagueuse.
- Toujours utiliser les deux mains pour utiliser l'appareil. Garder une pression constante et ferme pendant la coupe sans forcer dans le bois.
- Ne pas utiliser la scie à poteau pour couper des branches d'un diamètre supérieur à 4" (10 cm). (Voir Fig. 2-3B)
- Garder tout le monde à l'écart de la partie coupante de la perche élagueuse et à une bonne distance de la zone de travail. (Voir fig. 2-3C)

2 - MEASURES DE SECURITE

17. Ne pas utiliser la perche élagueuse près de câbles, fils téléphoniques ou électriques. Garder une distance d'au moins 10 pieds. (Voir fig. 2-3D)

CONSERVER CES INSTRUCTIONS



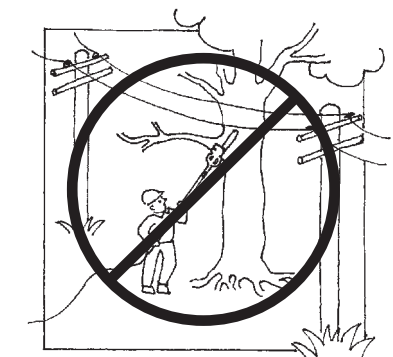
2-4A



2-4B



2-4C



2-4D

L'utilisation des ces dispositifs de sécurité est foretement recommandé afim de réduire tout risque de blessures accidentelles.

Lire le manuel d'utilisation.

3 - INSTRUCTIONS POUR MONTAGE

3-1. INTRODUCTION

Cet appareil est conçu pour un usage occasionnel par des propriétaires de maison; il ne peut être utilisé pour des travaux commerciaux ou de longues durées.

Vous pouvez utiliser votre nouvelle tronçonneuse pour une variété de projets tels que couper du bois, faire des piquets de clôture, abattre des arbustes, ébrancher et tailler des arbres au niveau du sol et faire de légers travaux de charpentier. Avec votre tronçonneuse, couper uniquement du bois ou des produits en bois.

3-2. DEBALLAGE

- Oter tout du carton d'emballage.
- Vérifier qu'aucune pièce n'a été endommagée pendant le transport. Pour tout problème ou si une pièce manque, veuillez en informer immédiatement le responsable du magasin où vous avez acheté la perche élagueuse.

3-3. MONTAGE D'ELEMENTS

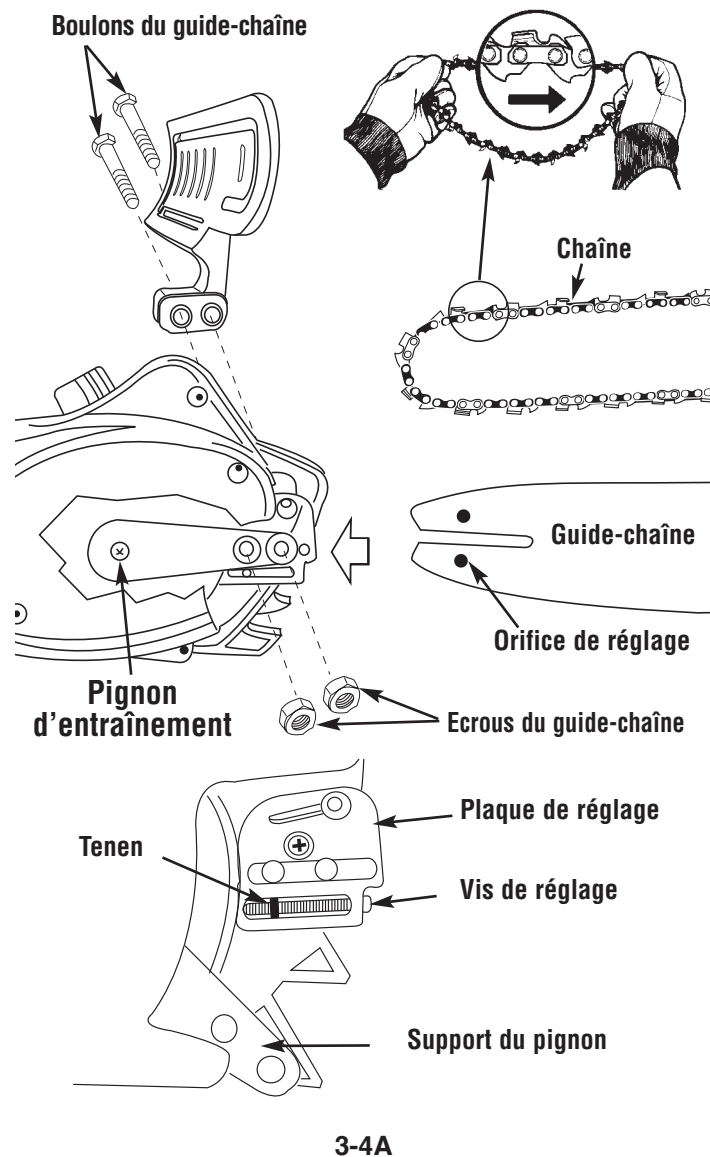
Votre nouvelle tronçonneuse, il est nécessaire d'ajuster la chaîne et de remplir le réservoir d'huile lubrifiante avant que l'unité soit prête pour l'exécution. Ne pas faire démarrer le moteur de la tronçonneuse avant que l'outil ne soit correctement monté.

Lire toutes les instructions attentivement. Ne pas monter de chaîne ou guide-chaîne d'une dimension autre que celle recommandée pour votre modèle.

3-4. CHAINAVION REMPLACEMENT AVERTISSEMENT

Pour toute manipulation de la chaîne, porter des gants de protection à cause des tranchants d'attaque affilés.

- Oter les écrous du guide-chaîne, pousser les boulons à l'intérieur et faire glisser le support du pignon vers le bas. (voir fig.3-4A)
- Oter le guide-chaîne et la chaîne usagés.
- A l'aide d'un tournevis, tourner la vis de réglage de la chaîne dans le sens inverse des aiguilles d'une montre, autant que possible ou jusqu'à ce que le tenon ne puisse aller plus loin.
- Passer la chaîne autour du pignon, les tranchants de la chaîne dans le sens de la rotation.
- Positionner l'encoche du guide-chaîne sur le goujon de manière à ce que le tenon puisse pénétrer dans le trou en bas du guide-chaîne.
- S'assurer que la chaîne épouse l'encoche du guide-chaîne. Faire glisser le support du pignon vers le haut et pousser les boulons à travers le support du pignon.
- Serrer les écrous de fixation du guide-chaîne à la main. (Aller à la section réglage de la tension de la chaîne)



3-5. REGLAGE DE LA TENSION DE LA CHAÎNE

La tension de la chaîne est d'une importance capitale et doit être contrôlée avant de commencer et pendant tout travail de coupe. Prendre le temps de faire les réglages nécessaires à la chaîne de votre tronçonneuse est synonyme de bonne performance et de longévité de votre outil.

REMARQUE : La tension d'une chaîne neuve doit être contrôlée fréquemment pendant son rodage, après aussi peu que cinq coupes. Les intervalles entre réglages s'espaceuront rapidement (Figure 3-5A).

3 - INSTRUCTIONS POUR MONTAGE

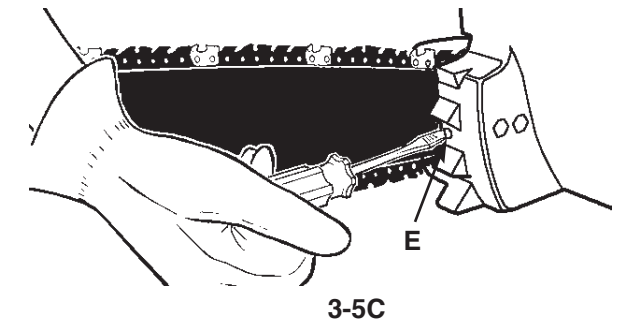
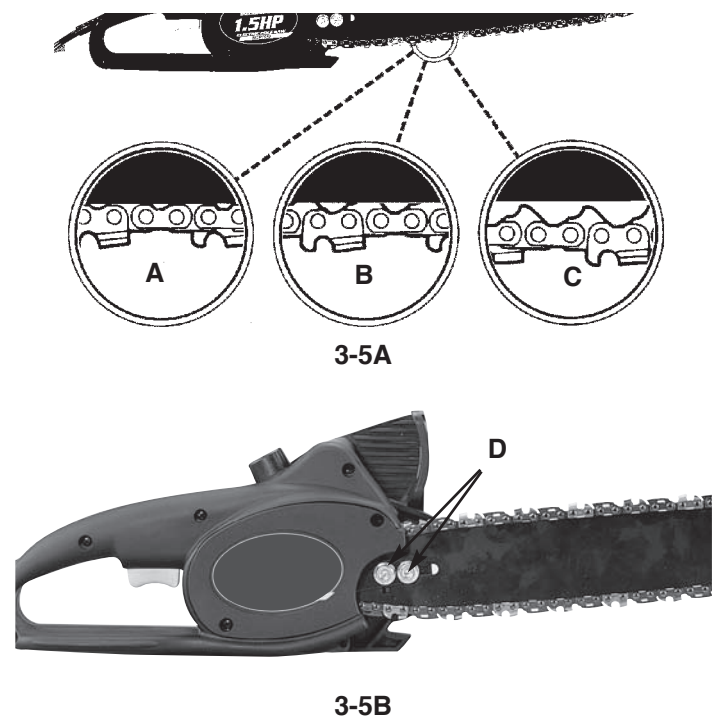
ATTENTION

Si un chaîne est TROP TENDUE ou TROP LACHE, le guide-chaîne et les roulements de vilebrequin s'useront plus rapidement. Etudier la Figure 3-5A pour tout renseignement concernant la tension appropriée pour moteur chaud (A) ou froid (B), et comme guide indiquant quand la chaîne a besoin d'être ajustée (C).

REGLAGE DE LA TENSION DE LA CHAÎNE :

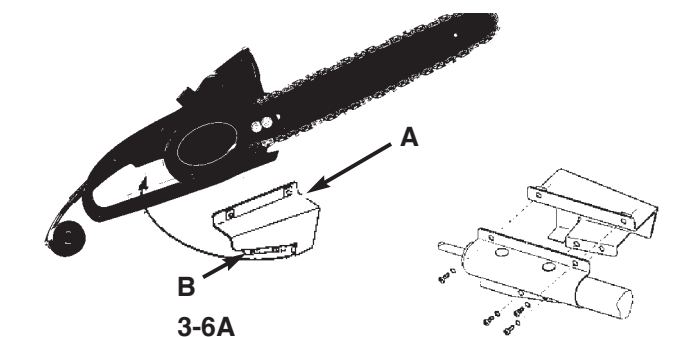
- Desserrer les écrous (D) jusqu'à ce qu'ils puissent être serrés à la main. (Voir fig. 3-5B)
- Tenir la tête du guide-chaîne vers le haut et utiliser un tournevis ou la clé multiple si fournie dans votre kit d'utilisateur pour tourner la vis de réglage (E) du guide-chaîne (Fig. 3-5C) dans le sens des aiguilles d'une montre pour serrer la chaîne. Tourner la vis DANS LE SENS INVERSE DES AIGUILLES D'UNE MONTRE DETEND LA CHAÎNE sur le guide-chaîne.
- Après avoir ajusté la chaîne et toujours portant des gants de protection robustes, tirer la chaîne vers l'avant puis l'arrière, dans un mouvement d'aller retour le long du guide-chaîne pour s'assurer qu'elle bouge librement et qu'elle est bien placée sur le pignon. Ne pas chaîne de mouvement avec les mains nues.

REMARQUE: La chaîne est trop tendue s'il est difficile de la faire tourner ou si elle accroche sur le guide-chaîne; l'ajuster de la manière suivante: Pour diminuer la tension, tourner lentement la vis de réglage dans le sens inverse des aiguilles d'une montre (vers la gauche). Tirer la chaîne vers l'avant et l'arrière à plusieurs reprises jusqu'à ce qu'elle bouge librement.



3-6. MONTAGE DE LA PERCHE ELAGUEUSE

- S'assurer que l'appareil n'est pas branché.
- Faire glisser les pattes de fixation (A) par-dessus la poignée de la perche élagueuse, du côté droit (Voir Fig.3-6A). **REMARQUE:** la gâchette doit être enclenchée avant que les pattes de fixation soient placées sur la poignée. Appuyer sur le bouton de blocage et enclencher la gâchette. Tout en gardant la gâchette appuyée, placer la partie du support gâchette des pattes de fixation sous la gâchette et faire glisser la fixation sur la poignée de la perche élagueuse. La patte de fixation maintient la gâchette dans la position marche (ON).
- Aligner les orifices des pattes de fixation du tube avec celles de la poignée. Placer des vis cruciformes avec rondelles de fixation par les pattes de fixation de la canne du côté gauche et fileter dans les écrous soudés sur la fixation de la poignée. Serrer fermement les vis.
- Brancher le cordon d'alimentation de la perche élagueuse dans la prise de l'intérieur de la canne.



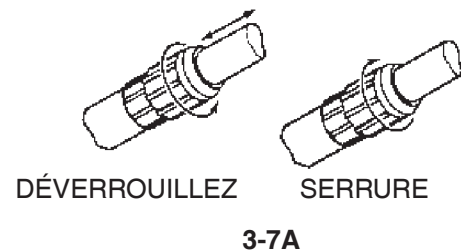
3 - INSTRUCTIONS POUR MONTAGE

3-7. REGLAGE DE LA LONGUEUR DE LA CANNE

La perche élagueuse possède une canne télescopique allant de 57 pouces de longueur (quand rétractée) à 96 pouces (quand allongée) On utilise un accouplement fileté à compression pour maintenir la canne en place à n'importe quelle longueur.

1. Pour allonger la canne, desserrer le raccord en tournant l'écrou d'accouplement dans le sens inverse des aiguilles d'une montre comme indiqué à la fig. 3-7A. La canne glissera librement.
2. Tirer la partie intérieure de la canne jusqu'à la longueur désirée. **Remarque:** N'allonger la canne que jusqu'à la longueur minimum nécessaire pour atteindre la branche à couper.
3. Pour bloquer la canne en place, serrer fermement à la main en tournant l'écrou d'accouplement dans le sens des aiguilles d'une montre (Voir Fig. 3-7A). S'assurer que la poignée de la tronçonneuse est alignée avec la poignée de la canne avant de serrer l'écrou.

IMPORTANT: Ne pas utiliser de clé ou pince pour trop serrer. Cela risque d'abîmer le raccord ou la canne.



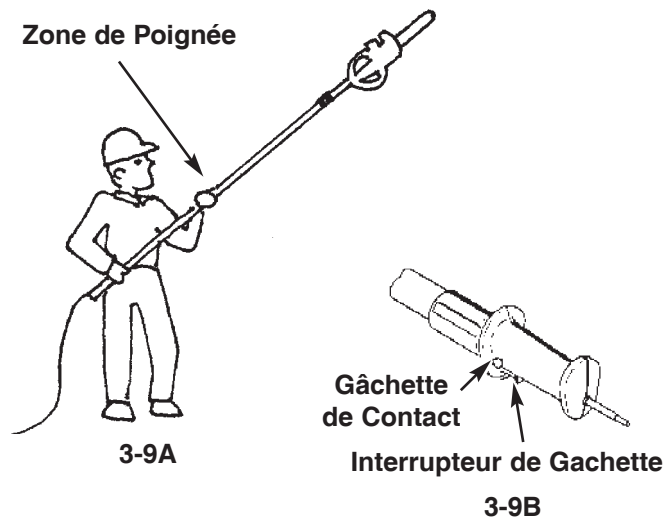
3-8. LUBRIFICATION DE LA CHAÎNE

Pour lubrifier la chaîne, appuyer sur le bouchon du réservoir d'huile; l'huile pénétrera la chaîne et le guide-chaîne. Appuyer au moins une fois avant chaque coupe. Toujours vérifier le niveau d'huile avant l'utilisation de la perche élagueuse. Ne pas essayer de l'utiliser pendant la coupe.

3-9. COUPE A L'AIDE DE LA PERCHE ELAGUEUSE

1. Raccorder la tronçonneuse au prolongateur et le brancher dans la source d'alimentation
2. Utiliser les deux mains pour tenir la perche élagueuse. Utiliser exclusivement les endroits prévus à cet effet pendant l'utilisation de la perche élagueuse (Voir Fig. 3-8A) Tenir fermement, les pouces et doigts autour de la poignée de la perche élagueuse et de la canne.
3. S'assurer de toujours garder une assise stable. Garder les pieds écartés en répartissant ainsi votre poids.

4. Quand prêt à couper, appuyer sur le bouton de blocage et la gâchette marche /arrêt (Voir Fig. 3-8B) La perche élagueuse est en marche. Relâcher la gâchette arrête l'appareil. S'assurer que la tronçonneuse fonctionne à pleine vitesse avant de couper.
5. Pour commencer la coupe, placer la chaîne en rotation contre le bois ; Tenir la perche élagueuse fermement en place pour éviter tout rebond ou mouvement latéral.
6. Guider la perche élagueuse avec une légère pression. Ne pas forcer. Le moteur risquerait de s'échauffer et de griller. Vous obtiendrez une meilleure performance au rythme pour lequel il a été conçu.
7. Oter la perche élagueuse de la coupe pendant que la chaîne tourne à pleine vitesse. L'arrêter en relâchant la gâchette. S'assurer que la chaîne est arrêtée avant de poser la perche élagueuse au sol.
8. Ne jamais se tenir sous la branche que vous coupez. Rester toujours à l'écart des chutes de débris.



3-10. REMPLISSAGE DU RESERVOIR A HUILE

A l'aide d'une entonnoir, remplir le réservoir avec de l'huile spéciale McCulloch pour chaîne, guide-chaîne et pignon. Nettoyer tout liquide renversé. S'assurer qu'aucune impureté ne pénètre à l'intérieur du réservoir.

3 - INSTRUCTIONS POUR MONTAGE

3-11. CHOIX D'UN PROLONGATEUR ELECTRIQUE APPROPRIE

Modèle de Tronçonneuse	Ampère	Voltage c.a. (Courant Alternatif)	Calibre de Fil Minimum		
			Longitud del Cable	25 ft. / 7.5m	50 ft. / 15m
MCP1510	8	120	Calibre 18	Calibre 16	Calibre 14

1. Un prolongateur de dimension appropriée doit être utilisé pour éviter toute perte de puissance et la surchauffe de l'appareil.
2. Le prolongateur doit être spécialement conçu pour usage en extérieur et marqué SW-A, STW-A, STOW-A, SJW-A, SJOW-A, SJTOW-A, ou SJTW.

4 - INSTRUCTIONS D'UTILISATION

4-1. DEMARRAGE DE LA PERCHE ELAGUEUSE

1. VEUILLEZ LIRE TOUS LES AVERTISSEMENTS
2. S'assurer que le réservoir à huile est plein.

AVERTISSEMENT

S'assure que le prolongateur est d'une dimension et d'un modèle appropriés pour votre tronçonneuse.

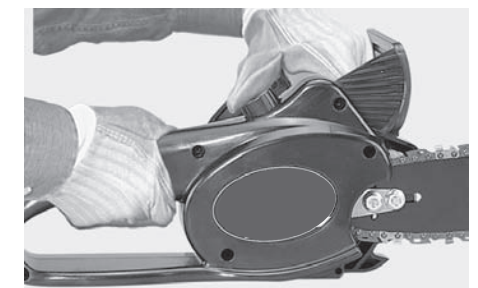
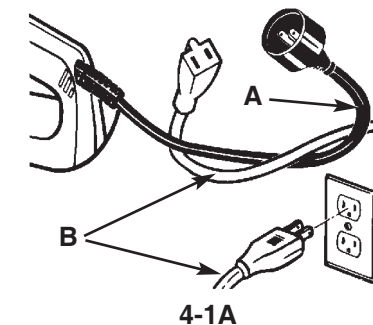
3. Insérer le câble (A) dans un prolongateur (B) aux dimensions adéquates (voir Figure 3-11). Brancher prolongateur dans une prise électrique de 110/120 c.a. volts et de 15 ampères (Figure 4-1A).

AVERTISSEMENT

S'assurer que le prolongateur n'entre pas en contact avec le guide-chaîne et la chaîne de la tronçonneuse.

4. Tenir fermement la tronçonneuse des deux mains, la main gauche sur la poignée avant et la main droite sur la poignée arrière. Les pouces et les doigts doivent être bien refermés sur les deux poignées (Figure 4-1B).
5. Avec le pouce de la main droite, enfoncer le bouton D'ARRET / BLOCAGE (C) se trouvant sur le côté de la poignée arrière, et en même temps appuyer sur le commutateur. Pour arrêter la tronçonneuse, lâcher le commutateur (Figure 4-1C).

REMARQUE : Il n'est pas nécessaire de maintenir une pression sur le bouton D'ARRET / BLOCAGE est un dispositif de sécurité conçu pour empêcher toute mise en marche involontaire.



4-1B



4-1C

4-2. ARRET DU MOTEUR

Le moteur de la tronçonneuses s'arrêtera automatiquement une fois le commutateur relâche. Il faudra de nouveau enfoncer le bouton D'ARRET / BLOCAGE et appuyer sur le commutateur pour remettre le moteur en marche.

4-3. LUBRIFICATION DE LA CHAÎNE ET DU GUIDE-CHAÎNE

Toujours vérifier le niveau d'huile avant d'utiliser la perche élagueuse. Pour huiler la chaîne, appuyer sur le bouchon du réservoir à huile. Ne pas essayer de l'utiliser pendant l'utilisation de l'appareil. L'huile coulera sur la chaîne et le guide chaîne. Vérifier du niveau de pétrole souvent.

4 - INSTRUCTIONS D'UTILISATION

ATTENTION

ne jamais laisser le guide-chaîne ou la chaîne non lubrifiés. Utiliser la tronçonneuse A SEC ou AVEC TROP PEU DE LUBRIFIANT diminue son efficacité de coupe et sa longévité, émousse rapidement la chaîne, et use excessivement le guide-chaîne car surchauffé. Une décoloration du guide-chaîne et du fumée indiquent un manque d'huile.

REMARQUE : La chaîne se détend pendant son utilisation, particulièrement si elle est neuve; il est donc nécessaire de l'ajuster périodiquement ; une nouvelle chaîne nécessite des réglages plus fréquents pendant sa période de rodage. Cela est normal. Voir la Section 3-5 pour le réglage de la tension de la chaîne.

ADVERTENCIA / PRECAUCION

Una cadena suelta puede saltarse de la barra mientras usted esta cortando, lo mismo que desgastar la barra y cadena. Una cadena muy apretada puede dañar la sierra. En cualquier situación, una cadena muy suelta o muy apretada, puede resultar en serias lesiones personales.

4-4. CABLES DE EXTENSION

Cuando utilice una sierra de cadena eléctrica, conéctela con el cable de extensión solamente cuando esté listo para cortar madera. Conecte la extensión a un tomacorriente de 110/120 voltios.

NOTA: Para prevenir una desconexión en el cable de extensión, haga un nudo suelto antes de conectar las puntas (Figura 4-4A).manija delantera.

ATTENTION

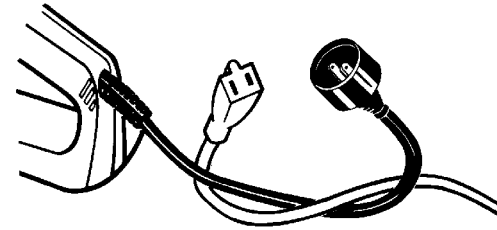
Un cordon trop chaud au toucher est surchargé.

1. Un prolongateur de dimension appropriée doit être utilisé pour plus de sécurité et pour éviter des pertes de puissance et la surchauffe de l'appareil.
2. Le prolongateur doit être spécialement conçu pour usage en extérieur et marqué SW-A, SOW-A, STW-A, STOW-A, SJW-A, SJOW-A, SJTOW-A, SJTW-A ou SJTW.
3. Vérifier que le prolongateur ne présente pas de fils dénudés ou de dommages de l'isolant. Le cas échéant, le remplacer avant d'utiliser l'appareil.

AVERTISSEMENT

Ne pas utiliser la tronçonneuse dans un lieu mouillé ou humide. Ne pas exposer la tronçonneuse aux intempéries (pluie, neige ou grésil). L'humidité cause des courts-circuits. Remplacer ou réparer tout prolongateur endommagé ou étripé avant d'utiliser la tronçonneuse.

Garder le prolongateur à distance du secteur de cope et le placer de manière à ce qu'il ne puisse pas se prendre dans les branches ou autres objets pendant le travail.



4-4A

CONSERVER CES INSTRUCTIONS

DOUBLE ISOLATION AUCUNE PIECE INTERNE REPARABLE

Ne pas utiliser si le prolongateur ou la prise est endommagé. L'appareil est pourvu d'une double isolation pour protéger l'opérateur des risques de chocs électriques. La double isolation consiste en deux «couches» séparées d'isolant électrique.

Les appareils construits avec ce type d'isolation ne sont pas conçus pour être mis à la terre. Par conséquent, le prolongateur utilisé avec votre appareil peut être branché dans n'importe quelle prise 120 volts conventionnelle.

Des mesures de sécurité élémentaires doivent être prises lorsqu'un appareil électrique est utilisé. La double isolation constitue seulement une protection supplémentaire en cas de défaillance de l'isolation interne.

AVERTISSEMENT

Cet appareil à double isolation ne comporte aucune pièce réparable par l'opérateur. Pour tout renseignement, contacter le Service Après-Vente McCulloch au numéro appel gratuit figurant au dos de ce manuel.

5 - INSTRUCTIONS POUR LA COUPE

5-1. TAILLER UN ARBRE (ELAGUAR) ADVERTISSEMENT

Eviter les rebonds. Ils peuvent causer de graves blessures parfois mortelles. Voir la section "rebonds" page 6, pour en éviter les risques.

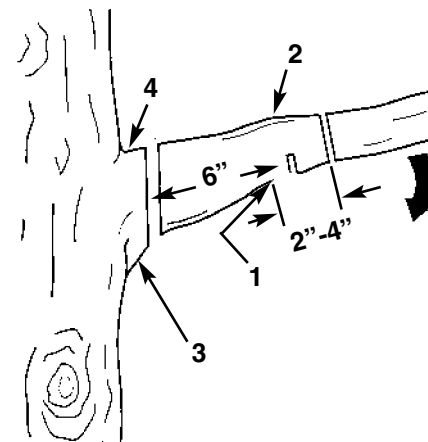
Ne pas utiliser la perche élagueuse en étant sur un arbre, une échelle ou autre endroit en position instable. Vous risquez de perdre le contrôle de la perche élagueuse, ce qui pourrait causer de sérieuses blessures.

Ne pas allonger les bras au-dessus des épaules pendant l'utilisation de la perche élagueuse.

Veuillez consulter un professionnel si les conditions de travail sont au-delà de vos capacités

Tailler un arbre signifie couper des branches d'un arbre vivant. S'assurer de votre bon équilibre. Garder les pieds écartés. Répartir votre poids.

1. Faire la première coupe à 6 pouces du tronc du dessous de la branche. Utiliser le haut du guide-chaîne pour cette coupe. (Couper 1/3 du diamètre de la branche; voir fig. 5-1A)
2. Faire la seconde coupe mais du dessus à deux ou quatre pouces plus loin sur la branche. Continuer à couper jusqu'à ce que la branche tombe.
3. Faire la troisième coupe le plus près possible du tronc par le dessous de la souche de la branche. Utiliser la partie supérieure du guide-chaîne pour faire cette coupe. Couper 1/3 du diamètre de la souche.
4. La quatrième coupe se fait directement au-dessus de la troisième. Couper pour atteindre l'autre côté et faire tomber la souche de la branche.



5-1A

5-2. ABATTAGE

Abattage est le terme utilisé pour indiquer que l'on coupe (abat) un arbre. De petits arbres d'environ 15 à 18cm (6-7") de diamètre sont généralement abattus en une coupe. Les arbres plus grands exigent des entailles d'abattage. Ces entailles déterminent la direction de la chute.

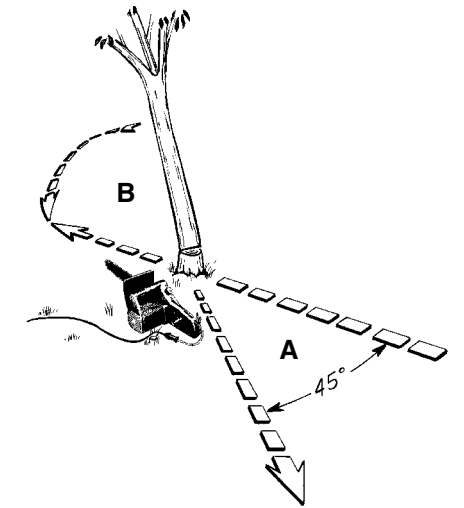
ABATTAGE D'UN ARBRE : ADVERTISSEMENT

Il est nécessaire de prévoir une retraite (A) sûre, libre de tout obstacle avant d'entreprendre la coupe de l'arbre. Le chemin de dégagement devrait être situé à l'arrière et en diagonale de la direction de chute prévue; voir Figure 5-2A.

ATTENTION

Pour l'abattage d'un arbre sur une pente, l'utilisateur de la tronçonneuse devrait se trouver du côté ascendant du terrain, car l'arbre roulera probablement vers le bas après sa chute.

REMARQUE : L'entaille d'abattage contrôle la direction de la chute (B). Avant toute entaille, prendre en considération l'emplacement des grosses branches et l'inclinaison naturelle de l'arbre pour déterminer la direction de la chute de l'arbre.



5-2A

AVERTISSEMENT

Eviter la coupe par mauvais temps, fort vent, vent changeant ou si cela peut endommager une propriété. Consulter un professionnel du métier.

Ne pas couper d'arbre s'il y a une possibilité de heurter des fils électriques ou autres. Prévenir les services publics appropriés avant toute coupe.

5 - INSTRUCTIONS POUR LA COUPE

REGLES GENERALES A OBSERVER POUR L'ABATTAGE :

En principe, l'abattage se divise en deux (2) opérations: l'entaille (C) et le trait d'abattage (D).

Toujours commencer par le trait diagonal (du haut) de l'entaille d'abattage (C), du côté choisi pour la chute de l'arbre (E). Eviter de scier trop profondément l'entaille horizontale (du bas).

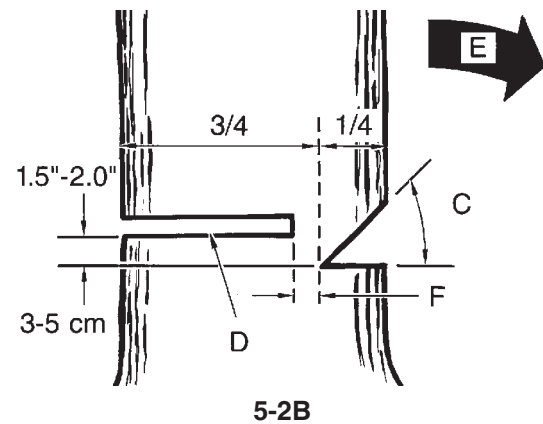
L'entaille d'abattage (C) doit être suffisamment ouverte pour créer une charnière (F) assez forte de largeur suffisante et pour guider la chute de l'arbre aussi longtemps que possible.

AVERTISSEMENT

Ne jamais marcher devant un arbre entaillé.

Scier le trait d'abattage (D) de l'autre côté du tronc, 3 à 5 cm (1,5 à 2,0") au-dessus de l'entaille d'abattage (C) (Figure 5-2B).

Ne jamais scier le tronc de part en part. Toujours laisser une charnière. La charnière guide l'arbre. Si le tronc est scié de part en part, l'arbre s'abattra de manière incontrôlée.



5-2B

Enfoncer des cales ou un levier d'abattage dans le trait sans attendre que l'arbre devienne instable et commence à bouger. Ceci évite le pincement de la pointe du guide-chaîne dans le trait d'abattage au cas où la direction de la chute aurait été mal calculée. S'assurer que personne ne se trouve dans la zone de chute avant de donner l'impulsion finale.

AVERTISSEMENT

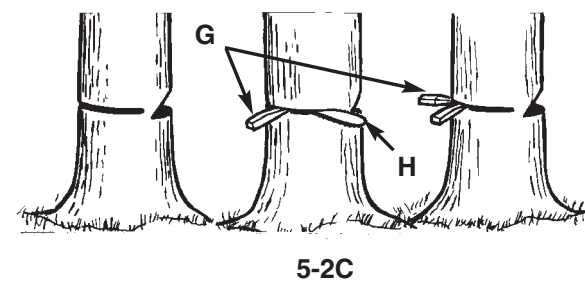
Avant la dernière entaille, s'assurer qu'il n'y ait aucun animal, obstacle ou individu dans les zones possibles de chute.

TRAIT D'ABATTAGE:

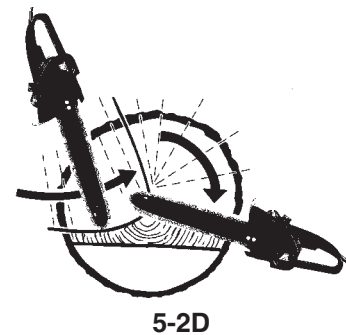
1. Utiliser des cales de bois ou plastique (G) pour empêcher la chaîne ou le guide-chaîne (H) de se coincer dans le trait d'abattage. Les cales contrôlent aussi la chute (Figure 5-2C).
2. Si le diamètre du tronc à couper est supérieur à la longueur du guide-chaîne, faire 2 entailles comme indiqué sur l'illustration (Figure 5-2D).

AVERTISSEMENT

Lorsque le trait d'abattage se rapproche de la charnière, l'arbre devrait commencer à tomber. A ce moment, enlever la tronçonneuse de la coupe, arrêter le moteur, déposer la tronçonneuse, et quitter les lieux, utilisant votre voie de retraite (Figure 5-2A).



5-2C



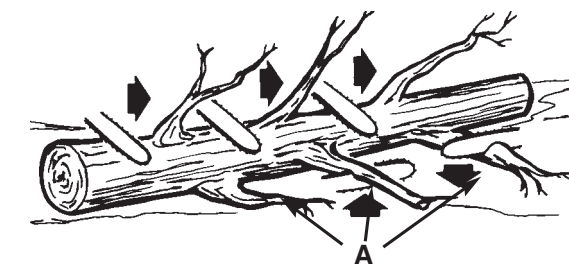
5-2D

5-3. EBRANCHAGE

Nous entendons par ébranchage le fait de débarrasser un arbre abattu de ses branches. Ne pas scier les branches de support (A) avant le tronçonnage de l'arbre (Figure 5-3B). Les branches sous tension devraient être sciées de bas en haut pour éviter de coincer la chaîne.

AVERTISSEMENT

Ne jamais scier de branches en se tenant sur le tronc.



5-3A

5-4. TRONÇONNAGE

Nous entendons par tronçonnage la découpe d'un tronc abattu. S'assurer d'avoir une bonne assise et de se trouver derrière le tronc quand le terrain est incliné. L'extrémité à scier devrait, si possible, ne pas reposer sur le sol, mais être supportée. Si le tronc est supporté aux deux extrémités et que la coupe doit se faire au milieu, faire une coupe vers le bas et jusqu'au milieu, puis faire la coupe par en-dessous. Ceci empêche le bois de coincer la chaîne ou guide-chaîne. Faire attention à ne pas scier jusque dans le sol car la chaîne s'éroussera rapidement.

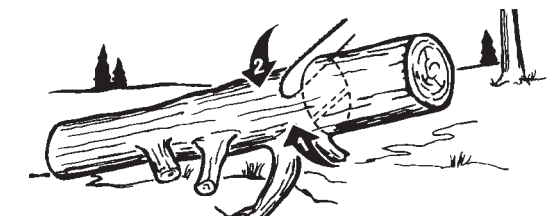
Pour le tronçonnage sur pente, se placer toujours vers le haut.

1. Si le tronc est supporté sur toute sa longueur: Il peut être tronçonné à partir du dessus. Eviter de plonger le guide-chaîne dans la terre (Figure 5-3B).
2. Tronçonnage d'un tronc supporté à une extrémité: Effectuer d'abord une coupe par le dessous (sous-coupe) sur 1/3 du diamètre, de manière à éviter l'éclatement du bois. Ensuite, effectuer une coupe par dessus (sur-coupe) pour joindre la première coupe et éviter tout coinçage (Figure 5-4A).
3. Tronçonnage d'un tronc supporté aux deux extrémités: Effectuer d'abord une coupe par dessus sur 1/3 du diamètre de façon à éviter l'éclatement du bois. Ensuite, effectuer une coupe par dessous (sous-coupe) pour joindre la première coupe et éviter tout coinçage (Figure 5-4B).

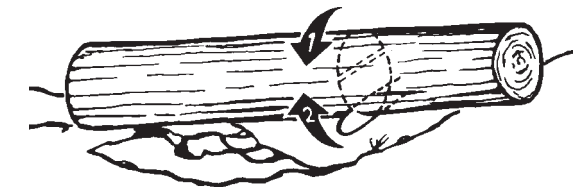
REMARQUE: Un chevalet est le meilleur support pour tronçonnage. Si cela n'est pas possible, soutenir le tronc par des bûches ou par les chicots des branches. S'assurer que le tronc à couper est bien supporté.



5-4A



5-4B



5-4C

5-5. TRONÇONNAGE SUR CHEVALET

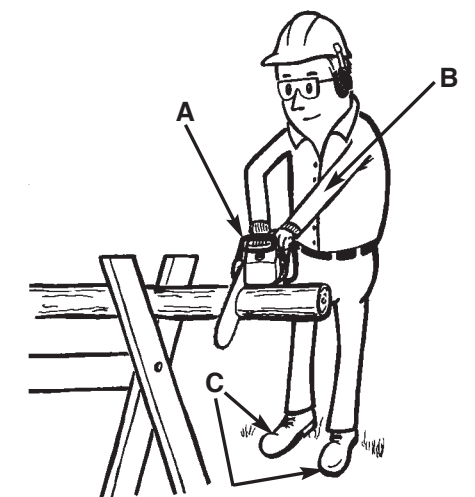
Pour votre sécurité, et pour la facilité de coupe, une position correcte est essentielle lors de tout tronçonnage vertical (Figure 5-5A).

COUPE VERTICALE:

- A. Tenir la tronçonneuse fermement, des deux mains et placer la tronçonneuse sur votre droite pendant la coupe.
- B. Garder le bras gauche aussi droit que possible.
- C. Votre poids doit reposer sur les deux pieds.

ATTENTION

S'assurer que la chaîne et guide-chaîne soient lubrifiés pendant la durée de la coupe.



5-5A

6 - ENTRETIEN DU GUIDE-CHAÎNE ET DE LA CHAÎNE

6-1. ENTRETIEN DU GUIDE-CHAÎNE AVERTISSEMENT

S'assurer que le câble d'alimentation est débranché avant tout entretien de la tronçonneuse.

Un entretien adéquat du guide-chaîne, comme expliqué dans cette section est essentiel au bon fonctionnement de la tronçonneuse.

ENTRETIEN DU GUIDE-CHAÎNE :

La majorité des problèmes du guide-chaîne peuvent être évités simplement par un bon entretien.

Un affûtage et des limeteurs de profondeur incorrects, ou des tranchants non-uniformes causent la majorité des problèmes du guide-chaîne, le résultat étant principalement une usure inégale. L'usure non-uniforme du guide-chaîne espace les rainures, ce qui peut causer un bruit de chaîne et des problèmes pour obtenir une coupe droite.

Une lubrification insuffisante du guide-chaîne et l'utilisation de la tronçonneuse avec une chaîne TROP AJUSTÉE contribue à l'usure rapide du guide-chaîne (voir Section 6-2).

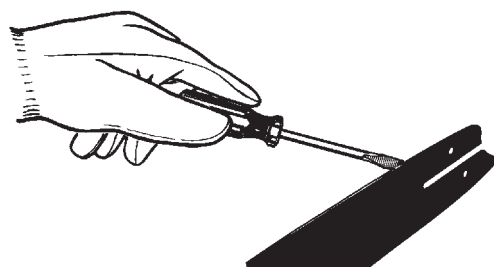
Pour minimiser l'usure de guide-chaîne, nous recommandons l'entretien suivant :

USURE DU GUIDE-CHAÎNE - Tourner le guide-chaîne fréquemment et à intervalles réguliers (après 5 heures d'utilisation par exemple), afin d'assurer une usure uniforme sur le haut et le bas du guide-chaîne.

RAINURES DU GUIDE-CHAÎNE - Les rainures du guide-chaîne (ou les «gorges» qui soutiennent et portent la chaîne) doivent être nettoyées si la chaîne a été fortement utilisée ou si elle paraît sale. Les rainures doivent être nettoyées à chaque retrait de chaîne.

NETTOYAGE DES RAINURES DU GUIDE-CHAÎNE:

1. Enlever le couvercle du pignon, le guide-chaîne et la chaîne (voir Section 3-4).
2. A l'aide d'un tournevis, d'une spatule, d'une brosse en fil de fer ou autre outil similaire, enlever tout résidu des rainures du guide-chaîne de la tronçonneuse. Les passages d'huile seront ainsi dégagés et fourniront une lubrification adéquate à la chaîne et au guide-chaîne (Figure 6-1B).
3. Replacer le guide-chaîne, la chaîne et les écrous du guide-chaîne. (Voir Section 3-4.)



6-1A

6-2. ENTRETIEN DE LA CHAÎNE AVERTISSEMENT

A moins d'avoir reçu une formation spéciale et d'être expérimenté en ce qui concerne les rebonds (Voir les Mesures de Sécurité), utiliser toujours une chaîne de sécurité qui réduit de manière significative les dangers de rebonds. Une chaîne de sécurité ne peut en aucune manière éliminer totalement les risques de rebonds. Une chaîne à «rebonds réduits» ou chaîne de sécurité ne doit jamais être considérée comme protection totale contre des blessures potentielles.

Une chaîne de sécurité doit toujours être utilisée en conjonction avec d'autres dispositifs de sécurité tels et l'Arceau Protecteur fournis avec la tronçonneuse.

Utiliser toujours une chaîne de rechange conçue pour réduire les rebonds ou une chaîne qui rébond aux normes de ANSI (L'Institut des Standards Nationaux Américains).

Une chaîne standard de tronçonneuse (c'est à dire une chaîne ne possédant pas de maillons de protection réduisant les rebonds) ne doit être utilisée que par des professionnels du métier.

QU'EST-CE QU'UNE CHAÎNE «À REBONDS RÉDUITS»?

Une chaîne à rebonds réduits est une chaîne dont la performance répond aux normes requises par ANSI B175.1. Ne pas utiliser d'autre chaîne de rechange à moins qu'elle ne réponde aux exigences de votre modèle en particulier. Maintenir la chaîne de la tronçonneuse en bon état de fonctionnement et les entretenir correctement comme indiqué dans ce manuel, vous permettra de garder le système de sécurité aussi longtemps que votre outil.

AVERTISSEMENT

Ne jamais enlever, modifier ou rendre inutilisable tout dispositif de sécurité fourni avec l'appareil. Arceau Protecteur et la chaîne de sécurité (rebonds réduits) de la tronçonneuse sont des dispositifs de sécurité primordiaux, présents pour votre protection.

AVERTISSEMENT

Porter toujours de gants de protection robustes et débrancher de câble d'alimentation pour tout entretien de la tronçonneuse.

TENSION DE LA CHAÎNE :

Contrôler fréquemment la tension de la chaîne et la régler aussi souvent que nécessaire afin de garder la chaîne bien ajustée le long du guide-chaîne, mais suffisamment lâche pour pouvoir la faire avancer à la main. (Voir section 3-5, Réglage de la Tension de la Chaîne.)

6 - ENTRETIEN DU GUIDE-CHAÎNE ET DE LA CHAÎNE

RODAGE D'UNE NOUVELLE CHAÎNE DE TRONÇONNEUSE :

Une nouvelle chaîne et un nouveau guide-chaîne doivent être réajustés après aussi peu que cinq (5) coupes. Ceci est normal en période de rodage, puis les intervalles entre les réglages commenceront à s'espacer rapidement. Par contre, après un certain temps, les parties mobiles de la chaîne de la tronçonneuse s'useront, résultant en ce qu'on appelle DETENTE DE CHAÎNE. Cela est normal. Quand il n'est plus possible d'obtenir un réglage de tension correct, un maillon devra être enlevé pour raccourcir la chaîne. Pour effectuer cette réparation, voir votre Service Après-Vente McCulloch agréé dont le nom figure sous la rubrique «SCIE» dans les pages jaunes de votre annuaire téléphonique.

AVERTISSEMENT / ATTENTION

Ne jamais enlever plus de trois maillons d'une chaîne. Cela pourrait endommager la roulette.

7 - ENTRETIEN PREVENTIF

7-1. ENTRETIEN PREVENTIF AVERTISSEMENT

REPARATION D'UN APPAREIL A DOUBLE ISOLATION

Cet appareil à double isolation comprend deux systèmes d'isolation au lieu d'une prise de terre. Un appareil à double isolation n'est pourvu d'aucune possibilité de mise à terre; il ne faut pas y ajouter cette possibilité. Il n'y a aucune pièce interne réparable. Une étiquette indiquant «DOUBLE ISOLATION» ou «ISOLATION DOUBLE» se trouve sur un appareil à double isolation. Le symbole □ (un carré à l'intérieur d'un carré) peut aussi se trouver sur l'appareil.

1. Placer le bouton en position d'arrêt «OFF» et débrancher le câble d'alimentation avant tout entretien, nettoyage ou réparation.
2. Garder le secteur d'arrivée d'air propre et les fentes d'air de refroidissement exemptes de tout débris afin de ne pas surchauffer le moteur.
3. Nettoyer à l'aide d'une éponge humide et de savon doux. Ne pas asperger d'eau ou tremper dans tout autre liquide.
4. Contrôler la tension de la chaîne avant chaque utilisation et fréquemment pendant la coupe. Affûter si nécessaire.
5. Nettoyer le guide-chaîne et le barre du guide chaîne pour assure une libre coulée d'huile.
6. Tourner le guide-chaîne après chaque usage pour une usure uniforme.
7. Le moteur n'a pas besoin d'être lubrifié. Il est équipé de palliers lubrifiés de manière permanente.
8. Si la tronçonneuse ne fonctionne pas, mettre le bouton en position d'arrêt «OFF» et débrancher le prolongateur de la prise d'alimentation en premier, puis de la tronçonneuse. Vérifier votre source d'alimentation ; un fusible peut avoir sauté ou un disjoncteur peut avoir été déclenché. Si la tronçonneuse ne fonctionne toujours pas, contacter le Service Après-Vente McCulloch dont le numéro à appel gratuit se trouve au dos de ce manuel. Ne pas essayer de faire la réparation soi-même. Aucune pièce interne n'est réparable par l'opérateur.

8 - GARANTIE LIMITÉE DE UN ANNÉE

1. DURÉE

La durée de la garantie des produits McCulloch s'établit comme suit: un (1) ANNÉE à compter de la date initiale de l'achat à condition que l'appareil soit utilisé à des fins personnelles, domestiques, pour des travaux de ferme ou de ranch, et qu'il ne soit pas utilisé à des fins de location; QUATRE-VINGT-DIX (90) JOURS à compter de la date d'achat initial lorsque les produits sont utilisés à des fins commerciales, professionnelles, institutionnelles ou de location. Cette garantie vous donne des droits légaux spécifiques. Vous pouvez également bénéficier d'autres droits qui varient selon les états ou provinces. PAR LA PRÉSENTE, MCCULLOCH DÉCLINE TOUTE RESPONSABILITÉ EN CE QUI CONCERNE TOUTE GARANTIE IMPLICITE APRÈS LES DATES D'EXPIRATION APPLICABLES DE CETTE GARANTIE LIMITÉE EXPRESSE. (Certains états ou certaines provinces ne permettant pas de limitation de la durée des garanties implicites. Les limitations ci-dessus peuvent donc ne pas s'appliquer à votre cas.)

2. PAR QUI LA GARANTIE EST-ELLE OFFERTE

McCulloch U.S.A 1-800-521-8559
1030 Stevens Creek Road, Augusta, GA 30907

3. QUI EST COUVERT PAR CETTE GARANTIE

- A. L'acheteur d'un produit McCulloch (à condition que le produit ne soit pas destiné à la revente).
- B. Toute personne à qui le produit est légalement cédé pour la durée de la garantie implicite ou écrite applicable au produit.
- C. Toute autre personne autorisée, aux termes de la garantie ou des lois applicables, à demander au Garant de respecter ses obligations.
(Les parties sus-mentionnées sont ci-après désignées sous le nom de «Utilisateur.»)

4. CE QUI EST COUVERT PAR CETTE GARANTIE

Toute défaillance survenant pendant la période de garantie applicable et qui découle de défauts de matériaux ou de fabrication.

5. CE QUI N'EST PAS COUVERT PAR CETTE GARANTIE

- A. Tout dommage indirect ou consécutif découlant possiblement de la défaillance ou du mauvais fonctionnement d'un produit McCulloch. (Comme certains états ou certaines provinces n'autorisent pas l'exclusion ou la limitation des dommages indirects ou consécutifs. Ces limitations peuvent ne pas s'appliquer à votre cas.)
- B. Toute défaillance découlant d'un accident, d'un usage abusif, d'une négligence ou du défaut d'utiliser le produit conformément aux directives fournies dans la ou les Notices d'utilisation qui accompagnent le produit, ou découlant d'une réparation inadéquate par un Centre de réparation non agréé.
- C. Les réglages normaux décrits dans la ou les Notices d'utilisation fournies avec le produit.
- D. Tout composant ou accessoire qui n'est pas vendu ou fabriqué par le Garant.
- E. Les préparations ou assemblages préalables à la livraison.
- F. Cette garantie ne s'applique pas aux accessoires ni à l'entretien ou aux réglages normaux du produit décrits dans la ou les Notices d'utilisation.

6. RESPONSABILITÉS DU GARANT AUX TERMES DE CETTE GARANTIE

- A. Réparer ou remplacer gratuitement pour l'utilisateur les composants qui s'avèrent défectueux pendant la période de garantie applicable.
- B. S'assurer que le Centre de réparation agréé est remboursé pour les frais de matériaux et de main-d'oeuvre engagés pour effectuer les réparations au titre de la garantie conformément aux politiques et procédures de garantie établies.

7. RESPONSABILITÉS DE L'UTILISATEUR AUX TERMES DE CETTE GARANTIE

- A. L'utilisateur doit livrer ou expédier le produit McCulloch couvert par la garantie au concessionnaire chez qui le produit a été acheté ou au Centre de réparation agréé le plus proche. Une preuve d'achat est requise.
- B. Les frais d'expédition, le cas échéant, sont à la charge de l'utilisateur.
- C. Veiller à l'entretien, à l'utilisation et au remisage du produit avec une diligence raisonnable, tel qu'il est expliqué dans la ou les Notices d'utilisation.

8. MOMENT POUR LE GARANT DE S'ACQUITTER DE SES OBLIGATIONS AUX TERMES DE CETTE GARANTIE

- A. Les dates de réparation des produits sous garantie seront fixées pour le Centre de réparation en fonction de la charge normale de travail et suivant la disponibilité des pièces.
- B. Si le délai pour la réparation excède dix (10) jours à compter de la date de livraison au réparateur agréé, la garantie sera prolongée du nombre de jours supplémentaires pendant lesquels le produit est inutilisable.
- C. Si l'utilisateur n'obtient pas entière satisfaction auprès de son Centre de réparation local, il doit se mettre en rapport McCulloch, ou composer le numéro sans frais.



McCULLOCH

MANUAL DEL USUARIO

SIERRA TELESCOPIA ELECTRICA

Modelo : MCP1510

SEGORIDAD
OPERACION
MANTENIMIENTO



AISLAMIENTO DOBLE

ADVERTENCIA • FAVOR DE LEER

Cuidese del contragolpe. Siempre sostenga la sierra de cadena firmemente con ambas manos cuando la esté usando. Por su propia seguridad, por favor lea y siga las precauciones de seguridad en este manual antes de intentar operar su sierra de cadena. Uso impropio puede causar serias lesiones.

INTRODUCCION

FAVOR DE LEER

Estimado Cliente,

Gracias por comprar un producto McCulloch. Con una operación y mantenimiento adecuado, le proveerá con años de servicio.

Para hacer el mejor uso de su inversión, **ASEGURESE** de familiarizarse con **TODO** el contenido en el manual del usuario antes de intentar operar y mantener su unidad.

2. Asegúrese de que sigue las instrucciones de inicio, funcionamiento y mantenimiento de este producto que se incluyen en este manual.

En este manual se encontraran las siguientes expresiones de advertencia: **NOTA:**, **ADVERTENCIA**, **PRECAUCION** y **GARANTIA**.

Una **NOTA:** se utiliza para comunicar información adicional, para resaltar una explicación en particular, o para expandir la descripción de un paso.

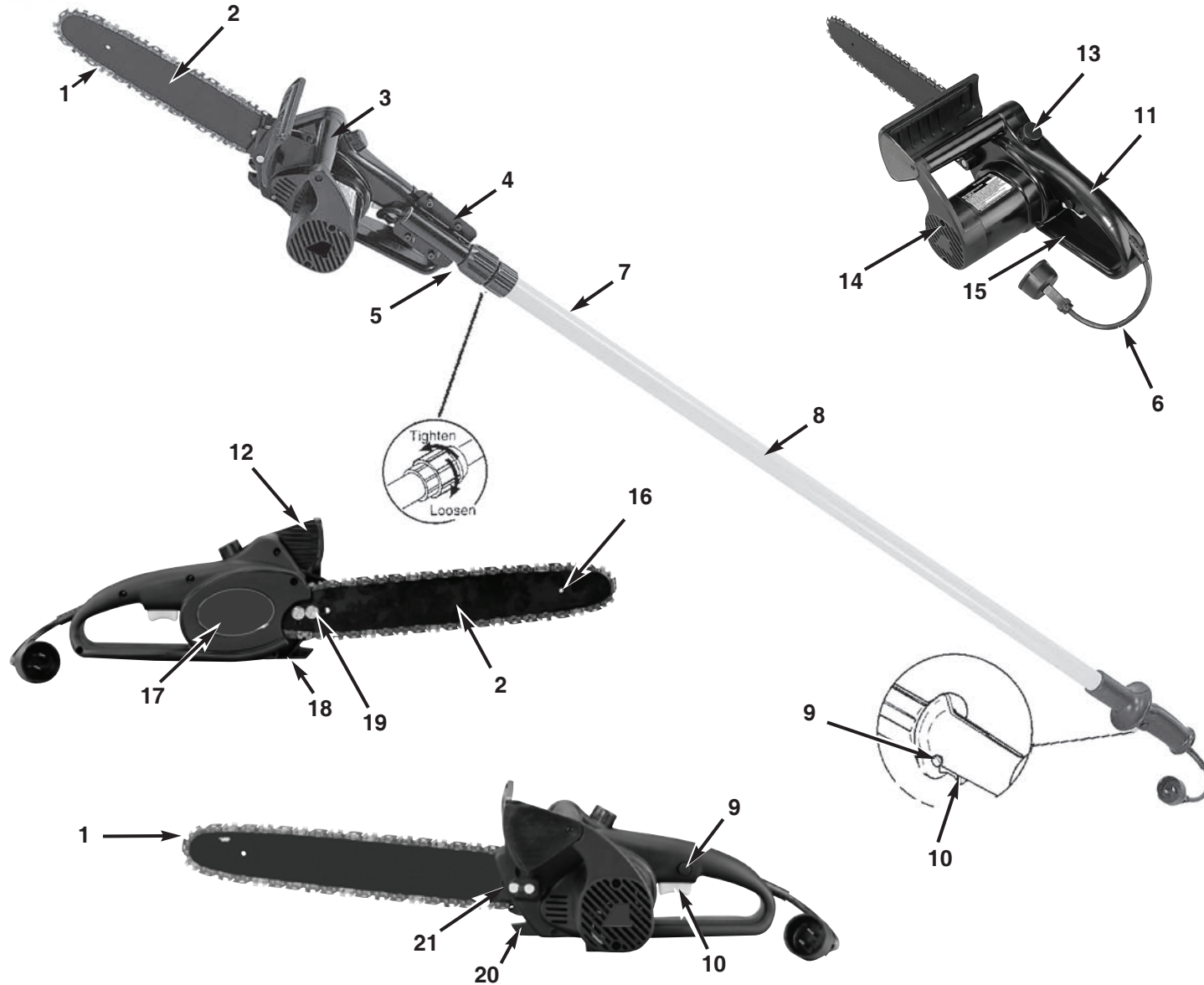
ADVERTENCIA o **PRECAUCION** identifican un procedimiento el cual no debe ser tomado o en caso de ser tomado puede resultar en serias lesiones personales y/o daño a la unidad.

La **G** (**SIMBOLO DE GARANTIA**) notifica que a menos que se sigan las instrucciones o procedimientos, cualquier daño causado anulará la garantía y las reparaciones correrán a cuenta del propietario.

Ponga atención particular a las precauciones de seguridad. Están escritas para su protección y contienen información importante que usted debe saber para operar sin riesgo su sierra telescopica.

SI PRECISA SERVICIO DE GARANTÍA O MANTENIMIENTO, PÓNGASE EN CONTACTO CON SU CENTRO DE SERVICIO AUTORIZADO McCULLOCH MÁS CERCANO - LOCALICE SU CENTRO DE SERVICIO MÁS CERCANO LLAMANDO AL NÚMERO GRATUITO QUE APARECE EN ESTE MANUAL.

1 - RENSEIGNMENTS GENERAUX



1-1. INFORMACION GENERAL

- | | |
|--------------------------------------|-------------------------------------|
| 1. Cadena para cortar | 12. Guarda para Manos |
| 2. Guia de Barra | 13. Tapon de Tanque Aceite |
| 3. Maneral Frontal | 14. Motor electrico |
| 4. Sujetador de Maneral | 15. Guarda de maneral trasero |
| 5. Tubo Interno | 16. Punta de Guia de Barra |
| 6. Cable de Poder | 17. Cubierta del Engrane |
| 7. Tuerca de Acoplamiento | 18. Protector de Cadena |
| 8. Tubo Exterior | 19. Tuerca sujetadora de Barra |
| 9. Seguro del Interruptor de Apagado | 20. Picos |
| 10. Interruptor de Encendido/Apagado | 21. Tornillo para ajuste de tension |
| 11. Maneral Trasero | |

1 - RENSEIGNMENTS GENERAUX

1-2. ASPECTOS DE SEGURIDAD

Los números que preceden a la descripción corresponden con los números en la página anterior para ayudarle a localizar los aspectos de seguridad.

- 1 **CADENA PARA SIERRA DE CONTRAGOLPE BAJO** ayuda significativamente a reducir el contragolpe, o la intensidad del mismo, debido a los eslabones de resguardo y al hondo calibre especialmente diseñado.
- 2 **GUIA DE BARRA** La barra reducida de la guía de la comision cofidencial reduce la intensidad de comision cofidencial.
- 9 El **BOTON DE SEGURO / LIBRE** previene la aceleración accidental del motor de la sierra. El gatillo no puede ser apretado a menos de que el botón de seguro / libre esté presionado.
- 10 El **INTERRUPTOR DEL GATILLO DE ENCENDIDO / APAGADO** detiene el motor de la sierra cuando es abatido.
- 11 La **GUARDAMANOS** protege la mano izquierda del operador en caso de que se resbale de la manija frontal mientras la sierra esta en marcha.
- 14 El **MOTOR ELECTRICO** está doblemente aislado para mayor seguridad.
- 18 El **ENGANCHE DE LA CADENA** reduce el peligro de una lesión en caso de que la cadena de la sierra se roompa o descarrile durante la operación. El enganche de la cadena esta diseñado para interceptar el azote de una cadena.

ESPECIFICACIONES

MODELOMCP1510
Entrada120V~, 60Hz, 8Amp
Caballo de fuerza máximos1.5HP
Largo de Barra10" (25cm)
Capacidad de Aceite1.7 ounces (50ml)
Peso neto7.5 lbs. (3.4Kg)

2 - PRECAUCIONES DE SEGURIDAD

PRECAUCIONES DE SEGURIDAD PARA USUARIOS DE SIERRAS DE CADENA (ANSI B175.1-1991, Annex C) (CAN3-Z62.1-M85 FEB85, Appendices A, B)

Su Sierra de Cadena McCulloch esta proveída con una etiqueta de seguridad localizado en la manija del GUARDAMANOS. Esta etiqueta, junto con las instrucciones de seguridad en estas páginas, deberán ser leídas antes de intentar operar estas unidades.

2-1. COMO LEER SIMBOLOS Y COLORES:

ROJO ADVERTENCIA

Utilizado para prevenir de un procedimiento inseguro que no deberá ser ejecutado

VERDE RECOMENDACION

Procedimientos de cortado recomendados.

ADVERTENCIA

(Figure 2-1A)

1. Cuidado con el contragolpe.
2. No intente sostener la sierra con una mano.
3. Evite el contacto con la cabeza de barra.

RECOMENDACION

4. Sostenga la sierra adecuadamente con ambas manos.



2-1A

ADVERTENCIA

2-2. ¡PELIGRO! ¡CUIDARSE DEL CONTRAGOLPE!

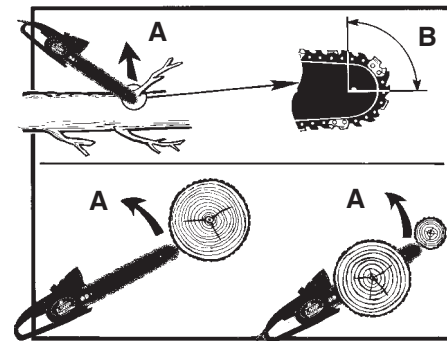
El contragolpe puede conducir a una peligrosa pérdida de control de sierra de cadena y resultar en serias o fatales lesiones al operador de la sierra o cualquier persona que se encuentre cerca. Siempre esté alerta. El contragolpe rotacional y el contragolpe por pellizco, son los mayores peligros operacionales de la sierra, y la causa principal de la mayoría de los accidentes.

ATTENTION AUX :

REBONDS ROTATIFS (Figure 2-2A)

A = Trajectoire rebonds

B = Zone de réaction rebonds



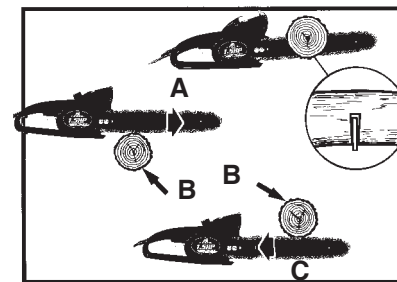
2-2A

LES REACTIONS (REBOND COINAGE) ET DE PROPULSION (Figure 2-2B)

A = Propulsion vers l'avant

B = Objets solides

C = Poussée vers l'utilisateur



2-2B

Il y a des risques de REBONDS si la POINTE o TETE du guide-chaîne entre en contact avec un objet, ou si le bois se resserre et coince la chaîne de la tronçonneuse dans l'entaille.

Un contact avec le tête du guide-chaîne peut parfois causer une réaction inverse instantanée, causant un soubresaut du guide-chaîne, le poussant vers le haut et l'arrière (mouvement en arc), c'est à dire vers l'utilisateur.

COINCER la chaîne de la tronçonneuse le long du bas du guide-chaîne risque de TIRER la tronçonneuse vers l'avant, en direction opposée de l'utilisateur.

Chacune de ces réactions risque de vous faire perdre contrôle de la tronçonneuse, ce qui peut entraîner de sérieuses blessures.

2 - PRECAUCIONES DE SEGURIDAD

2-3. INSTRUCCIONES IMPORTANTES DE SEGURIDAD

ADVERTENCIA

Cuando utilice una sierra de cadena eléctrica, las precauciones de seguridad básicas deberán ser seguidas para reducir el riesgo de un choque eléctrico, incendio, y lesiones personales, incluyendo las siguientes:

LEA TODAS LAS LAS INSTRUCCIONES

1. Doblemente aislada - No cuenta con Partes de Servicio para el Usuario adentro de la sierra.
2. Para reducir el riesgo de un choque eléctrico, este equipo cuenta con en enchufe polarizado (una cuchilla de contacto más ancha que la otra). Este enchufe encajará exclusivamente en una toma de corriente polarizada, en caso de que no entre completamente, invierta el enchufe. Si aún no encaja, consulte a un eléctrico calificado para que le instale una toma de corriente adecuada. Por ningún motivo cambie el enchufe.
3. Con una comprensión básica del contragolpe, usted puede reducir o eliminar el elemento de sorpresa. La sorpresa repentina contribuye a los accidentes.
4. MANTENGA EL AREA DE TRABAJO LIMPIA: Areas de trabajo sucias inducen lesiones. No empiece a cortar hasta que no tenga un área de trabajo limpia, se encuentre seguramente parado y haya planeado el sendero de retirada del árbol que caerá.
5. PREVENGASE CONTRA UN CHOQUE ELECTRICO: Prevenga su cuerpo del contacto con superficies que hagan tierra (i.e., tubos de metal, cercas de alambre, etc.).
6. CONSIDERE ELMEDIO AMBIENTE DEL AREA DE TRABAJO: Utilice extrema precaución cuando corte arbustos pequeños, árboles jóvenes, dado a que material delgado puede ser atrapado por la sierra y azotado en dirección de usted, o sacarlo de balance. No opere la sierra en un árbol a menos de que usted se encuentre específicamente entrenado para hacerlo. Cuando corte ramas que contengan tensión, esté alerta del resorte para que usted no sea golpeado cuando la tensión de la fibras de la madera sea liberada. No exponga la sierra de cadena en presencia de líquidos o gases inflamables.
7. MANTENGA NIÑOS Y ESPECTADORES ALEJADOS: No permita que los visitantes tengan contacto con la sierra o la extensión de poder. Todos los visitantes deberán ser mantenidos fuera del área de trabajo.

8. ALMACENE LA SIERRA DE CADENA: Cuando no se encuentre en uso, la sierra de cadena deberá ser almacenada fuera del alcance de los niños, en un lugar seco, elevado, y asegurado.
9. NO FORCE LA SIERRA DE CADENA: La sierra de cadena realizará un trabajo mejor y más seguro cuando se utilice a el promedio para el cual fue diseñada.
10. UTILICE LA HERRAMIENTA ADECUADA: Corte solamente madera. No utilice la sierra de cadena para propósitos para los cuales no fue diseñada. Pro ejemplo, no utilice la sierra de cadena para cortar plásticos, mampostería, o materiales que no sean para la construcción.
11. VISTASE PROPIAMENTE: No se vista con ropa suelta o joyería ya que pueden ser atrapadas por las partes en movimiento. Ligas o calzado contra el resbalo son recomendados cuando trabaje al aire libre. Utilice cubiertas protectoras para cabello para sostener el cabello largo.
12. UTILICE GAFAS DE SEGURIDAD: Utilice también calzado de seguridad, cubrepantalón de seguridad, prendas ajustadas, guantes protectores y protección para la cabeza.
13. ESTE ALERTA: Fijese lo que este haciendo. Utilice el sentido común. No opere la sierra cuando se encuentre fatigado. Mantenga todas las partes de su cuerpo alejadas de la sierra de cadena cuando el motor se encuentra en operación. Antes de arrancar la sierra, asegurese de que la cadena de la sierra no esté haciendo contacto con nada.
14. MANTENGA LA SIERRA DE CADENA CON CUIDADO: Inspeccione los cables de la sierra periódicamente, y si se encuentran dañados, mandelos reparar pour un Centro de Servicio Autorizado. Mantenga el cable libra de la cadena y el operador todo el tiempo. Nunca transporte la sierra del cable o lo jale para desconectarla del receptor. Mantenga los cables alejados de aceite y puntas filosas. Inspecciones los cables periódicamente y reemplacelos si se encuentran dañados. Mantenga las herramientas limpias y afiladas par un mejor y más seguro rendimiento. Siga las instrucciones para la lubricación y el cambio de accesorios. Mantenga las manijas secas y libres de aceite y grasa.
15. DESCONECTE LA SIERRA DE CADENA: Desconecte la sierra de cadena cuando no se encuentre en uso, antes de cada servicio, y cuando cambie accesorios y aditamentos tales como la cadena de la sierra y el resguardo.
16. CABLES PROLONGADORES PARA EXTERIORES: Utilice únicamente cables prolongadores destinados al uso en exteriores y marcados al efecto.

2 - PRECAUCIONES DE SEGURIDAD

17. **RIVISE LAS PARTES DAÑADAS:** Antes de cualquier uso de la sierra de cadena, el resguardo u otra parte que se encuentre dañada deberá ser cuidadosamente revisado para determinar si operará propiamente y realizará la función para la cual fue diseñada. Revise el alineamiento de las partes móviles, y cualquier otra condición que pueda afectar la operación correcta de la unidad. Un resguardo o cualquier otra parte dañada deberá ser propiamente reparada o reemplazada por un centro de servicio autorizado, a menos de que el manual indique otra cosa. Solicite a un centro de servicio autorizado la sustitución de los interruptores defectuosos. No utilice la sierra de cadena si no puede utilizar el interruptor para encenderla y apagarla. No utilice una sierra de cadena que se encuentre dañada, mal ajustada o ensamblada de forma insegura o incompleta. Asegúrese de que la cadena de la sierra se detiene al soltar el gatillo.
18. **TRANSPORTANDO LA UNIDAD:** Transporte la sierra por la manija frontal con la sierra apagada. Mantenga su dedo fuera del interruptor, y asegúrese de que la barra guía y la cadena de la sierra se encuentren hacia atrás.
19. **PROTEJASE CONTRA EL CONTRAGOLPE:**

PRECAUCION

EL CONTRAGOLPE puede ocurrir cuando la nariz o la punta de la barra guía toca un objeto, o cuando la madera se cierra y pellizca la sierra de cadena cuando esta cortando. Si la punta de la barra hace contacto, puede causar una reacción reversiva relámpago, pateando la barra guía hacia arriba y atrás en dirección del operado. Pellizcando la sierra de cadena a lo largo de la barra guía puede empujar la barra rápidamente hacia atrás en dirección del operador. Cualquiera de estas reacciones puede causar que usted pierda el control de la sierra, lo cual puede resultar en serias lesiones personales. Las siguientes precauciones deberán ser seguidas para minimizar el contragolpe.

- A. **AGARRE LA SIERRA FIRMEMENTE:** Sostenga la sierra firmemente con ambas manos cuando el motor esté en marcha. Mantenga un buen agarre en la sierra con ambas manos, la mano derecha en la manija posterior, y la mano izquierda en la manija frontal, cuando el motor esté en marcha. Utilice un agarre firme con los dedos y el pulgar al rededor de las manijas de la sierra.
- B. No sobrepase su alcance.
- C. Mantenga los pies propiamente balanceados todo el tiempo.
- D. No permita que la nariz de la barra guía tenga contacto con un tronco, rama, el suelo u otra obstrucción.
- E. No corte arriba de la altura del hombro.

- F. Utilice mecanismos tales como cadenas de contragolpe bajo, protectores para la nariz de la barra guía, chain brakes y barras guías especiales, los cuales reducen los peligros relacionados con el contragolpe.
- G. Utilice solamente barras y cadenas especificadas por su fabricante o el equivalente.
- H. No existen otros componentes de repuesto para lograr protección del contragolpe de acuerdo con CSA Z62.3.
20. **FUENTE DE PODER:** Conecte la sierra de cadena al voltaje correcto; asegúrese de que el voltaje proveído es el mismo que se especifica en la placa de la herramienta.
21. **NO opere la sierra de cadena cuando esté dañada, impropriadamente ajustada, o no segura y completamente ensamblada.** Asegúrese de que la cadena de la sierra deje de moverse cuando el gatillo de estrangulación sea liberado.
22. **NO intente hacer operaciones más allá de su capacidad o experiencia.**
23. **¡NO opere la sierra de cadena con una mano!** Serias lesiones al operador, ayudantes, espectadores, o cualquier combinación de estas personas puede resultar por la operación con una mano. La sierra esta destinada para el uso con dos manos
24. **PARA REDUCIR el potencial de un choque eléctrico,** no opere la sierra en superficies mojadas o resbalosas, o durante tormentas de nieve, lluvia, o cualquier otra condición de tiempo adversa.
25. **NO permita que tierra, escombros o polvo se acumule en el motor o los orificios de ventilación.**
26. **Siga las instrucciones de afilado y mantenimiento para su sierra de cadena de su fabricante.**
27. **Corte a altas velocidades del motor.**
28. **Su sierra de cadena ha sido diseñada para el uso doméstico ocasional.** No ha sido fabricada para el uso continuo en aplicaciones de alto rendimiento.
29. **Su sierra fue diseñada para un uso casero ocasional.** No está hecha para trabajos pesados continuos.
30. **NO FORCE una sierra pequeña para hacer un trabajo que requiera una unidad de trabajo pesado.**
31. **EXAMINE LOS INTERRUPTORES ELECTRICOS.** No utilice la sierra de cadena si los interruptores no se encienden y apagan correctamente. No intente hacer cualquier reparación en los interruptores eléctricos. Lleve su sierra un Centro de Servicio Autorizado McCulloch.
32. **MANTENIMIENTO DE LOS CABLES DE EXTENSION.** Revise los cables periódicamente y reemplácelos si se encuentran dañados. Utilice solamente cables de poder que hayan sido marcados para uso al aire libre.

2 - PRECAUCIONES DE SEGURIDAD

33. **NO OPERE SU SIERRA DE CADENA** cerca o alrededor de líquidos o gases inflamables, aunque se encuentre en ambientes cerrados o al aire libre. Una explosión y/o incendio puede resultar.
34. Esta sierra de cadena con motor eléctrico fue clasificada por la CSA como una sierra de clase 2C. Y fue destinada para el uso infrecuente por dueños caseros, excursionistas, jornaleros. Para aplicaciones generales tales como el limpiado, podado, cortado de leña para chimenea, etc. No fue diseñada para un uso prolongado. Si el uso destinado envuelve el uso prolongado de los periodos de operación, esto puede causar problemas circulatorios en las manos del usuario debido a la vibración. Puede ser apropiado el utilizar la sierra teniendo un mecanismo de anti-vibrado.
35. **NUNCA REMUEVA,** modifique o haga inoperativo cualquiera de los mecanismos de seguridad construidos en su unidad.
36. Utilice las prendas de seguridad exigidas por las organizaciones de seguridad y reglamentos gubernamentales que le sean de aplicación, así como por su empresa; alternativamente, utilice prendas ajustadas, calzado de seguridad, cubrepantalón de seguridad, guantes de seguridad y protección auricular.
37. Cuando tale mantenga por lo menos dos (2) árboles de distancia entre usted y sus trabajadores.
38. Todo el servicio de la sierra de cadena, otro que los artículos listados en las instrucciones de seguridad y mantenimiento en el manual del usuario, deberán ser ejecutadas por un personal de servicio de sierras de cadena competente. No intente repararla usted mismo; no se encuentran piezas de servicio para el usuario adentro de la sierra.
- NOTA:** una cadena para sierra de contragolpe bajo es una cadena que ha cumplido con los requerimientos de rendimiento del contragolpe de la ANSI B175.1-1991 y está de acuerdo con CSA Z62.3. No utilice una cadena de repuesto diferente a menos que llene estos requisitos para su modelo particular.
39. **Ⓞ NO USE NINGÚN OTRO ADITAMENTO O ACCESORIO DE CORTE.** Use sólo repuestos y accesorios McCulloch, los cuales están diseñados especialmente para mejorar el desempeño y maximizar la operación segura de nuestros productos. No hacerlo así, puede producir un pobre desempeño y posiblemente alguna lesión. Use sólo la cadena y la barra que se suministran con este producto. No use ningún otro aditamento de corte. El uso de tales aditamentos anulará su garantía de fábrica y puede producir alguna lesión seria a su cuerpo.

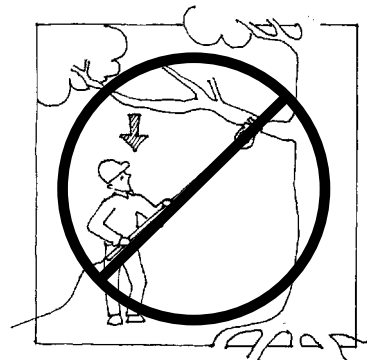
2-4. PRECAUCIONES DE CORTE CON LA SIERRA TELESCOPICA

1. Tenga cuidado con las extensiones eléctricas cuando opere su motosierra. Tenga cuidado en no tropesarse con el cable de la extensión.
2. Mantenga a espectadores 50 pies (15 metros) lejos cuando este operando la herramienta.
3. No use la motosierra telescópica para derrumbar árboles. Use para esto la motosierra sin el aditamento telescópico.
4. Sujete el tubo de la motosierra firmemente-una mano en el tubo, otra en el maneral.
5. Mantenga su dedo lejos del gatillo interruptor hasta estar listo para hacer el corte.
6. Antes de encender su motosierra telescópica, asegúrese que la cadena de corte no esta tocando nada.
7. Mantenga todas las partes del cuerpo alejadas de la cadena de corte cuando su motosierra este en funcionamiento.
8. No force la motosierra cuando este cortando. Aplique una presión ligera. Hara el trabajo mejor y mas seguro.
9. Cuando este cortando ramas que se encuentren bajo tensión, use extrema precaución. Este alerta a el resorte de las ramas. Cuando la rama se libere, esta pudiera regresarse intempestivamente y golpear al operador causandole severas lesiones o hasta la muerte.
10. Cuando transporte la motosierra telescópica de un lugar a otro: •desconecte la unidad, •regrese el tubo telescópico a la posición mas corta, •mantenga el tubo en posición balanceada cerca de la unidad de poder, •mantenga la barra guía y la cadena hacia atrás.
11. No corte maleza o arbustos con la motosierra telescópica. Use la motosierra únicamente con extrema precaución. Las ramas delgadas de la maleza o arbustos pudieran enredarse en la unidad de corte y pudieran regresarse intempestivamente hacia usted causandole lesiones o la posibilidad de que pierda el balance.
12. Nunca se pare directamente por debajo de la rama que esta podando. Siempre posicione fuera de la trayectoria de caída de dichas ramas. (Figura 2-3A)
13. Nunca se pare en una escalera o otro tipo de soporte inestable cuando utilice la motosierra telescópica.
14. Siempre use ambas manos al operar su motosierra telescópica. Mantenga una presión firme y constante en la motosierra telescópica mientras este cortando pero no trate de forzar la sierra a través de la madera.
15. No use la sierra de poste para cortar ramas de mas de 4" (10 cm) de diámetro. (Ver Fig. 2-3B)
16. Mantenga a las otras personas alejadas de la zona de corte y de la motosierra telescópica

2 - PRECAUCIONES DE SEGURIDAD

17. No utilice su motosierra telescópica cerca de cables, cables eléctricos, o líneas telefónicas. Mantenga una mínima distancia de 10 pies (3 metros) de cualquier cable eléctrico. (Ver Fig. 2-3D)

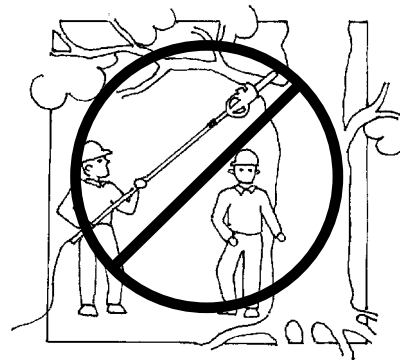
GUARDE ESTAS INSTRUCCIONES



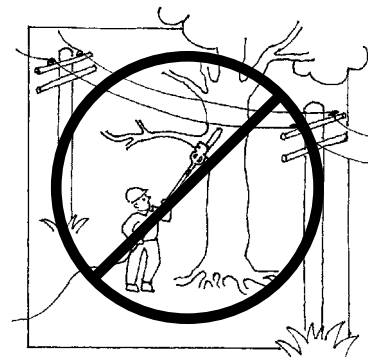
2-4A



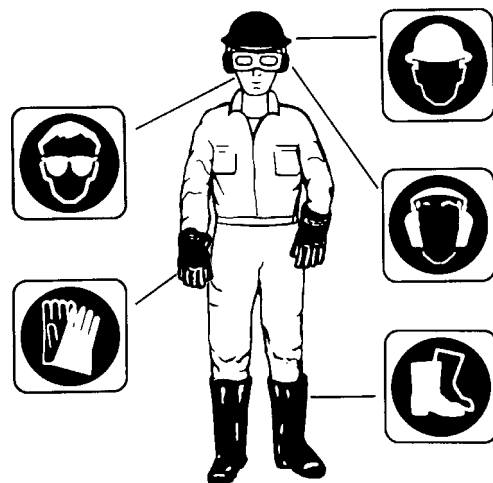
2-4B



2-4C



2-4D



El uso de estos artículos de seguridad personal es altamente recomendado para reducir el riesgo de lesiones accidentales.



Lea Manual de Usuario.

3 - INSTRUCCIONES DE ENSAMBLE

3-1. INTRODUCCION

Esta unidad ha sido diseñada para uso casero ocasional y no deberá ser usada con propósitos comerciales sujetos a un uso de trabajo pesado continuo.

Su sierra de cadena nueva puede ser utilizada para una variedad de proyectos tales como cortar leña para chimeneas, hacer cercas de madera, talar arboles pequeños, desramado, y carpintería ligera. corte solo madera y productos de madera con su sierra.

3-2. DESEMPACANDO

1. Remueva todos los artículos del cartón.
2. Revise todos los artículos que no se hayan lastimado en el transporte. Si encuentra algo lastimado o si alguna parte falta, inmediatamente informe al personal que le vendió esta unidad.

3-3. REQUERIMIENTOS PARA EL ENSAMBLADO

Su motosierra nueva necesita ser ajustada de la cadena y debe llenar de aceite el tanque que lubricará la cadena, todo esto antes de iniciar su uso. No encienda su motosierra hasta que esté preparada adecuadamente.

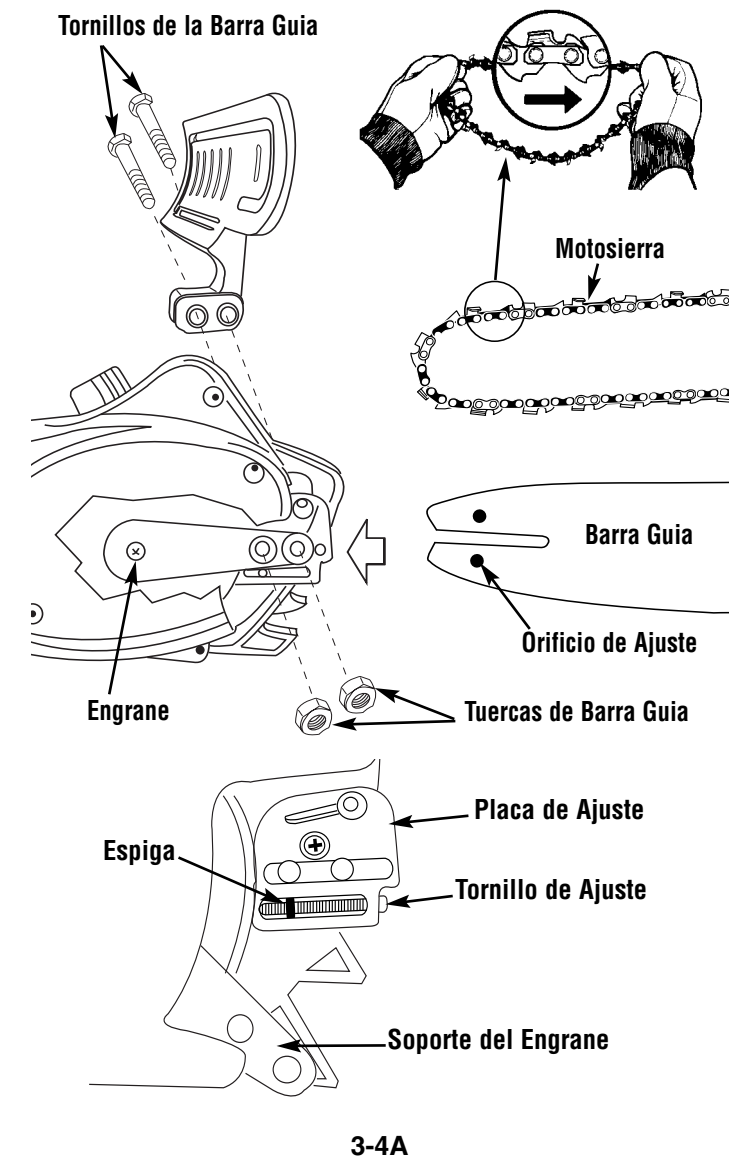
Lea su manual de instrucciones adecuadamente. No instale otro tamaño de barra y cadena diferente al recomendado para su motosierra.

3-4. BARRA GUIA / CADENA INSTALACION DE REPLAZO

ADVERTENCIA

Utilice guantes de trabajo pesado para protegerse contra los eslabones de cortado filosos cuando maneje la sierra de cadena.

1. Remueva la tuerca de la barra, empuje tornillos de la barra hacia adentro y deslice el soporte del engrane hacia abajo. (Ver Fig. 3-4A)
2. Remueva la guía de barra vieja y la cadena usada.
3. Usando un desarmador recto, gire el tornillo de ajuste de cadena contra el reloj tan lejos como pueda.
4. Coloque la cadena sobre el engrane con las orillas de corte de la cadena apuntando hacia la dirección de rotación de esta.
5. Coloque las ranuras de la barra sobre los tornillos guías de tal forma que se coloque en el orificio inferior de la barra guía.
6. Asegurese que la cadena siga la ranura de la barra guía. Deslice el soporte del engrane hacia arriba y presione los tornillos de la barra a través del soporte del engrane.
7. Instale las tuercas de sujeción y apriete únicamente con la mano. (Proceda al ajuste de tensión de la cadena).



3-4A

3-5. AJUSTE DE LA TENSION DE LA CADENA DE LA SIERRA

Una tensión propia de la cadena de la sierra es extremadamente importante y debe de ser revisada antes de arrancar la sierra, al igual que durante cualquier operación de corte. El tomar tiempo para hacer los ajustes necesarios para la sierra de cadena resultará en un mejor rendimiento y una vida prolongada para su sierra de cadena.

NOTA: Una cadena y barra nueva requerirán un reajuste después de por lo menos 5 cortes. Esto es normal dentro del periodo de acondicionamiento, y el intervalo dentro de los próximos ajustes se alargará pronto (Figura 3-5A).

3 - INSTRUCCIONES DE ENSAMBLE

PRECAUCION

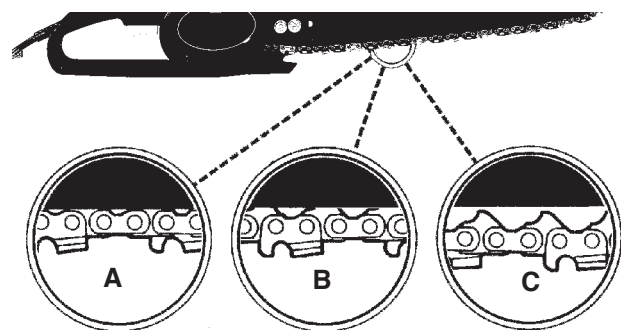
Si la cadena se encuentra muy SUELTA o muy APRETA-DA, la barra, cadena y los rodamientos del cigueñal se desgastaran más rápidamente. Estudie la Figura 3-5A para información respecto a la tensión fría correcta (A), tensión caliente correcta (B), y como una guía para cuando la cadena de la sierra requiera algún ajuste (C).

PARA AJUSTAR TENSION DE LA CADENA DE CORTE:

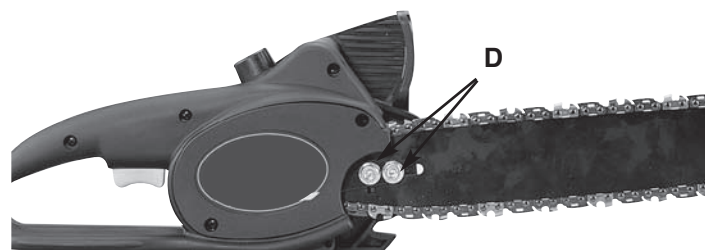
1. Afloje las tuercas retenedoras de la barra (D) de tal forma que estén apretadas a mano. (Ver Fig.3-5B)
2. Manteniendo la nariz de la barra hacia arriba, utilice el desarmador para girar el tornillo de ajuste de la barra guía (E) (Fig 3-5C) a favor de las manecillas del reloj para apretar la cadena. Girando el tornillo en contra de las manecillas del reloj afloja la cadena de la barra guía.
3. Después del ajuste y usando guantes gruesos, mueva la cadena de corte hacia atrás y hacia adelante para asegurarse que la cadena se mueve libremente y esta colocada correctamente en el engrane. No mueva cadena con manos descubiertas.

NOTA: Si la cadena muestra dificultad de movimiento, significa que demasiada tensión se le ha dado a la cadena y deberá de ser reajustada. Para reducir tensión, gire el tornillo de ajuste contra las manecillas el reloj lentamente. Mueva la cadena hacia atrás y hacia adelante hasta que se mueva libremente.

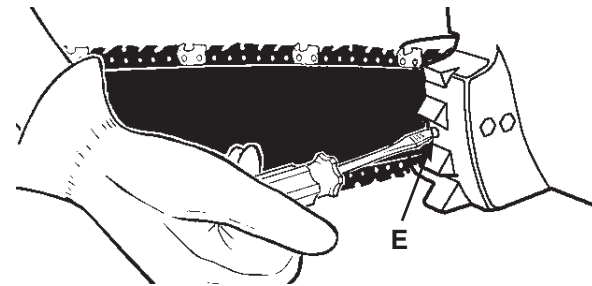
4. Manteniendo la nariz en posición hacia arriba, apriete bien a tuerca de la barra (70 pulgadas libras)



3-5A



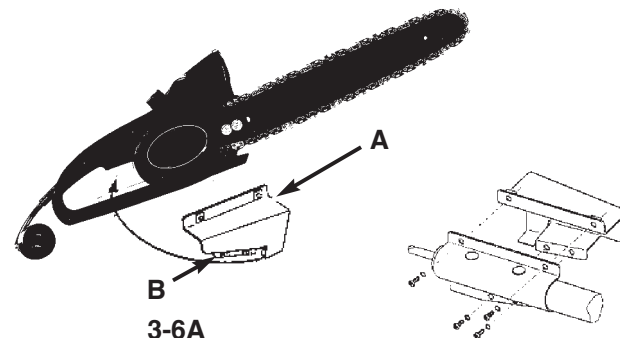
3-5B



3-5C

3-6. ENSAMBLE DE LA MOTOSIERRA TELESCOPICA

1. Asegurese que la motosierra este desconectada de la energía eléctrica.
2. Deslice el soporte del maneral (A) sobre el maneral de la motosierra desde la parte derecha (Ver Fig.3-6A) **Nota:** El gatillo deberá de presionarse antes que el soporte vaya hacia el maneral. Presione el interruptor de encendido y apagado y presione el gatillo. Manteniendo el gatillo dentro, coloque la porción del soporte del gatillo por debajo del gatillo y deslice el soporte hacia el maneral de la motosierra. El soporte mantendrá al gatillo en posición de encendido.
3. Alinee los orificios en el soporte del tubo con los orificios del soporte del maneral. Coloque tornillos de estrella con rondanas de seguridad a través de los soportes de los tubos desde la parte izquierda y atornille dentro de las tuercas fijas del soporte del maneral. Apriete los tornillos firmemente.
4. Enchufe el cable de poder de la motosierra dentro del receptáculo al final del tubo interno.



3-6A

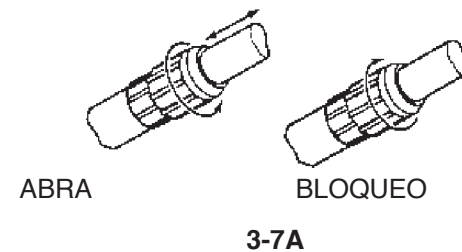
3 - INSTRUCCIONES DE ENSAMBLE

3-7. ADJUSTANDO LA LONGITUD DE EL TUBO

La motosierra telescópica tiene una longitud de extensión de 57 pulgadas (1,45 m) en la posición más corta y 96 pulgadas (2,40m) en la posición más alargada. Un cople de compresión es usado para mantener el tubo en posición en cualquier longitud de uso.

1. Para extender el tubo, aflojar el cople girando la tuerca del cople en contra de las manecillas del reloj Fig (3-7A), El tubo se deslizará libremente.
2. Jale la sección interna del tubo hacia afuera hasta la longitud deseada. **Nota:** Únicamente el tubo extendido a la mínima longitud requiere que alcance la rama que será cortada.
3. Para fijar el tubo en posición, apriete el cople girando la tuerca del cople contra las manecillas del reloj (Ver Fig. 3-7A) hasta que este firmemente apretada. Asegurese que el maneral de la motosierra este alineado con el maneral del tubo antes de apretar el cople.

IMPORTANTE: No use llaves o pinzas para sobre apretar el cople, este se puede lastimar.



3-7A

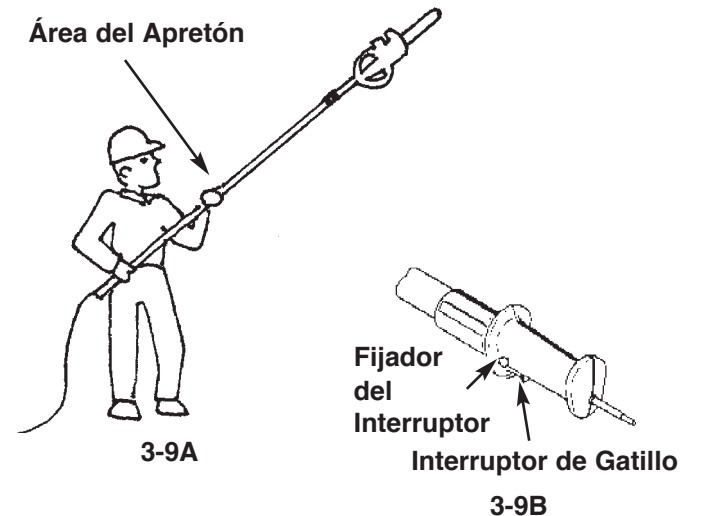
3-8. ACEITAR LA CADENA

Para aceitar la cadena de corte, presione la tapa del aceite. Se alimentará aceite a la barra guía. Presione al menos una vez el tapon de aceite antes de iniciar el corte. No intente operar el aceitador mientras este cortando con la unidad.

3-9. CORTANDO CON LA MOTOSIERRA TELESCOPICA

1. Conecte la motosierra a la extensión eléctrica. Conecte la extensión a la corriente eléctrica.
2. Use ambas manos para sujetar la motosierra telescópica. Use únicamente las áreas de sujeción asignadas cuando opere su unidad (Ver Fig . 3-9 A). Use sujeción firme. Deberá de sujetar con la mano alrededor del maneral del tubo.
3. Asegurese que este parado firmemente. Mantenga los pies separados. Divida su peso en ambos pies.

4. Cuando este listo para cortar, presione el gatillo (Ver fig. 3-9 B). Esto encenderá la unidad. Deje de presionar el gatillo y se apagará la unidad. Asegurese que la unidad este trabajando a toda velocidad antes de iniciar el corte.
5. Cuando inicie un corte, coloque la cadena en movimiento hacia la madera. Mantenga la unidad firmemente en posición para evitar posibles rebotes.
6. Guíe la unidad usando presión ligera. No force el tubo. El motor se sobrecargará y se puede quemar. Hara el trabajo mejor con poca presión.
7. Remueva la motosierra telescópica de donde este cortando con la cadena girando a toda velocidad. Pare la unidad soltando el gatillo. Asegurese que la cadena ya se paro antes de bajar la unidad.
8. Nunca se pare directamente por debajo de la rama que esta podando. Siempre posicione fuera de la trayectoria de caída de dichas ramas.



3-9A

3-9B

3-10. LLENANDO EL TANQUE DE ACEITE

Usando un embudo, llene el tanque con aceite para barras, cadenas y ruedas dentadas McCulloch. Limpie cualquier derrame. Asegúrese de que no entre tierra dentro del tanque de aceite.

3 - INSTRUCCIONES DE ENSAMBLE

3-11. SELECCIONANDO EL CABLE DE EXTENSION CORRECTO

Escala Mínima del Alambre					
Modelo de Sierra	Promedio de Amperaje	Voltios AC	Longitud del Cable de Poder		
			25 ft. / 7.5m	50 ft. / 15m	100 ft. / 30m
MCP1510	8	120	18 Escala	16 Escala	14 Escala

1. Cuando use el aparato, un cable de extensión del tamaño adecuado deberá ser usado para seguridad y para prevenir la pérdida de poder y sobre calentamiento.
2. El cable de extensión debe estar diseñado específicamente para uso exteriores y marcado con SW-A, SOW-A, STW-A, STOW-A, SJW-A, SJOW-A, SJTW-A o SJTW.

4 - INSTRUCCIONES DE OPERACION

4-1. PARA ARRANCAR LA SIERRA

1. PORFAVOR LEA TODAS LAS ADVERTENCIAS
2. Asegurese que el tanque de aceite este lleno.

ADVERTENCIA

Asegúrese de que el cable de extensión es del tamaño y tipo apropiado para su sierra.

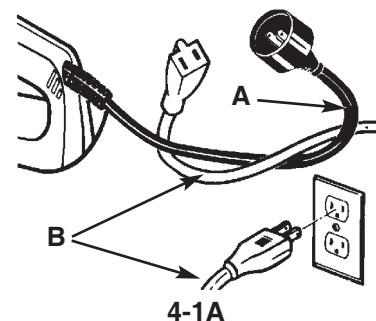
3. Conecte el cable (A) con la extensión (B) del tamaño apropiado (vea la Figura 3-11). Conecte en cable de extensión dentro de un tomacorriente de 110/120 voltios AC, 15 AMP (Figura 4-1A).

ADVERTENCIA

Asegúrese de que el cable de extensión no entre en contacto con la barra guía y la cadena de la sierra.

4. Sostenga la sierra con ambas manos, la mano izquierda sosteniendo la manija frontal y la mano derecha sosteniendo la manija trasera. El pulgar y los dedos deberan rodear ambas manijas (Figura 4-1B).
5. Con su PULGAR DERECHO, oprima el botón de SEGURO / LIBRE (C) al lado de la manija trasera, y al mismo tiempo apriete el gatillo. Para detener la sierra, libere el gatillo (Figura 4-1D).

NOTA: No es necesario el mantener presión en el botón de SEGURO / LIBRE una vez que gatillo es apretado y el motor esta en marcha. El botón de SEGURO / LIBRE es un mecanismo de seguridad para prevenir el encendido accidental.



4-1A



4-1B



4-1C

4-2. PARA APAGAR EL MOTOR

El motor de la sierra se detendrá automáticamente cuando el gatillo es liberado. El botón de SEGURO / LIBRE tendrá que estar oprimido y el gatillo apretado para rearrancar el motor.

4-3. LUBRICACION DE BARRA Y CADENA

Siempre revisar nivel de aceite antes de usar unidad. Para aceitar la cadena, presione la tapa de aceite. No intente operar el aceitador mientras este cortando con la unidad. El aceite se alimentara a la cadena y a la barra. Verifique nivel del aceite a menudo.

4 - INSTRUCCIONES DE OPERACION

PRECAUCION

Nunca deje que le falte aceite de lubricación a la barra y cadena. Comiendo una sierra SECA o con MUY POCO ACEITE reducirá la eficiencia en el cortado, acortar la vida de su sierra, causando un desafilado rápido de la cadena y un desgaste excesivo de la barra por sobre calentamiento. Muy poco aceite es detectado por humo o decoloración de la barra.

NOTA: La cadena de la sierra se alarga durante el uso, particularmente cuando es nueva, y un ajuste ocasional será necesario. Una cadena nueva requiere mas frecuentemente cuando de un ajuste durante el periodo de acondicionamiento. Esto es normal. Vea la sección 3-5 para las instrucciones de Ajuste de la Tensión de la Cadena de la sierra.

ADVERTENCIA / PRECAUCION

Una cadena suelta puede saltarse de la barra mientras usted esta cortando, lo mismo que desgastar la barra y cadena. Una cadena muy apretada puede dañar la sierra. En cualquier situación, una cadena muy suelta o muy apretada, puede resultar en serias lesiones personales.

4-4. CABLES DE EXTENSION

Cuando utilice una sierra de cadena eléctrica, conéctela con el cable de extensión solamente cuando esté listo para cortar madera. Conecte la extensión a un tomacorriente de 110/120 voltios.

NOTA: Para prevenir una desconexión en el cable de extensión, haga un nudo suelto antes de conectar las puntas (Figura 4-4A).manija delantera.

PRECAUCION

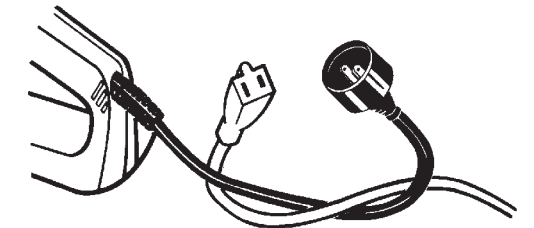
Un cable que se siente caliente al contacto está sobrecargado.

1. Cuando use el aparato, un cable de extensión del tamaño adecuado deberá ser utilizado para prevenir la pérdida de poder y sobre calentamiento.
2. El cable de extensión debe estar diseñado específicamente para uso en exteriores y marcado con SW-A, STW-A, STOW-A, SJW-A, SJOW-A, SJTOW-A, SJTW-A, o SJTW.
3. Inspeccione el cable de extensión de alambres sueltos o expuestos y daños en el aislado. Si se encuentra dañado, reemplacelo antes de usar el aparato.

ADVERTENCIA

No opere su sierra de cadena en ambientes mojados. No exponga su sierra a la lluvia, nieve o aguanieve. El vapor causara cortos circuitos. Reemplácelo o repare cualquier daño o cables de extensión desgastados antes de utilizar su sierra.

Mantenga el cable alejado del área de corte y coloque el cable de manera que no quede atorado con ramus u otros objetos durante el cortado.



4-4A

GUARDE ESTAS INSTRUCCIONES

AISLACION DOBLE NO HAY PARTES DE SERVICIO PARA EL USUARIO ADETRON DE LA SIERRA

No utilice el cable o lo conecte si está dañado. Su aparato esta doblemente aislado para ayudar pa proteger contra un choque eléctrico. Una construcción de aislación doble consiste en dos hileras separadas de aislación eléctrica.

Aparatos construidos con este sistema de aislación no son diseñados para hacer tierra. Como resultado, el cable de extensión utilizado para su aparato puede ser enchufado a cualquier tomacorriente convencional de 120 voltios.

ADVERTENCIA

Su aparato de aislación doble no tiene partes de servicio para el usuario adentro de la sierra. No intente repararlo used mismo. Para infomación de servicio, contacte el Departamento de Servicio del Producto McCulloch al número gratuito listado en la portada posterior de este manual.

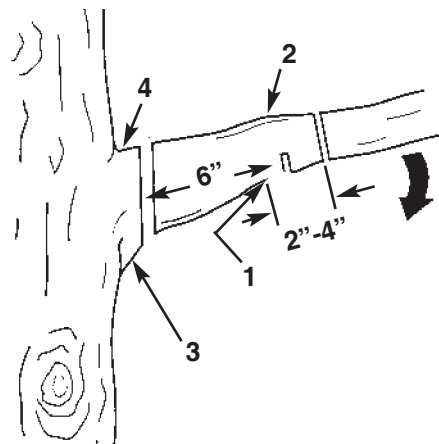
5 - INSTRUCCIONES DE CORTADO GENERALES

5-1. PODANDO UN ARBOL ADVERTENCIA

Evite el efecto de reculado. Este efecto de Reculado pudiera causar graves lesiones o la muerte. Ver efecto de reculado en pagina 6, para evitar riegos de reculado. No opere la unidad mientras este sobre un arbol , en una escalera o cualquier otra superficie inestable, o en una posicion incomoda. Pudiera perder el control de la unidad causando graves lesiones. No extienda sus brazos mas alla de sus hombros cuando use la unidad. Solicite ayuda profesional si ve que el trabajo que necesita hacer esta fuera de sus posibilidades.

Podar un arbol es el proceso de cortar las ramas de un arbol vivo. Asegurese que esta bien parado. Mantenga sus pies separados, Divida su peso en los dos pies.

1. Hacer el primer corte a unas 6 pulgadas de el tronco por debajo de la rama. Use la parte superior de la barra para hacer este corte. (Corte 1/3 de diametro de la rama, ver Fig 5-1A).
2. Mueva dos o cuatro pulgadas fuera de la rama. Hacer un segundo corte desde ariiba de la rama. Continue el corte hasta terminar de cortar la rama.
3. Hacer el tercer corte lo mas cercano al tronco, y lateralmente a a la rama. Use la parte superior para hacer este corte. Corte 1/3 dentro del diametro de la rama.
4. Hacer el cuarto corte directament sobre tercer corte. Corte hacia abajo para llegar al tercer corte. Esto removera la rama.



5-1A

5-2. TALADO

Talado es el termino que se da al cortar un árbol. Arboles pequeños hasta de 15-18cm (6-7") de diámetro son generalmente cortados en un solo corte. Arboles más grandes requieren de cortes de ranura. Cortes de ranura determinan la dirección en que el árbol caerá.

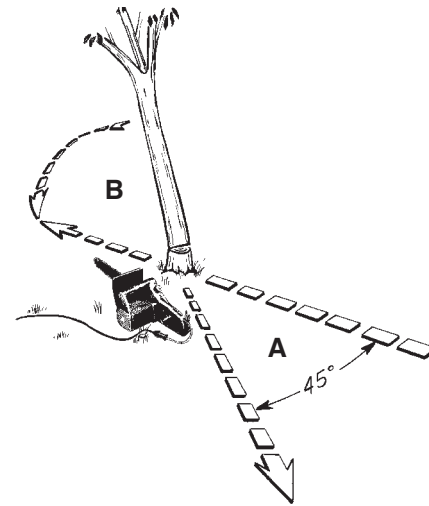
DESRAMANDO UN ARBOL: ADVERTENCIA

Un sendero de retirada (A) deberá de ser planeado y despejado como se necesite antes de que empiece los cortes. El sendero de retirada deberá extenderse hacia atrás y diagonalmente a la parte posterior de la línea de caída esperada, como se ilustra en la Figura 5-2A.

PRECAUCION

Si se tala un árbol en un terreno con pendiente, el operador de la sierra de cadena deberá mantenerse en la parte de arriba del terreno, debido a que el árbol tiende a rodar o deslizarse hacia abajo después de que es talado.

NOTA: La dirección de la caída (B) es controlada por el corte de ranura. Antes de que cualquier corte sea realizado, considere la localización de las ramas mas largas y la inclinación natural del árbol para determinar la forma en que caerá.



5-2A

ADVERTENCIA

No corte un árbol durante vientos rápidos o cambiantes o si hay peligro para una propiedad. Consulte a un profesional de árboles.

No corte un árbol si hay peligro de que alambres de servicio sean golpeados; notifique a la compañía de servicio antes de hacer cualquier corte.

REGLAS GENERALES PARA EL TALADO DE ARBOLES:

Normalmente el talado consiste en dos (2) operaciones de corte principales, haciendo la ranura (C) y realizando el corte de talado (D).

Empiece haciendo el corte de ranura (C) superior en la parte del árbol apuntando a la dirección de caída (E). Asegúrese de no hacer el corte inferior muy profundo dentro del tronco.

5 - INSTRUCCIONES DE CORTADO GENERALES

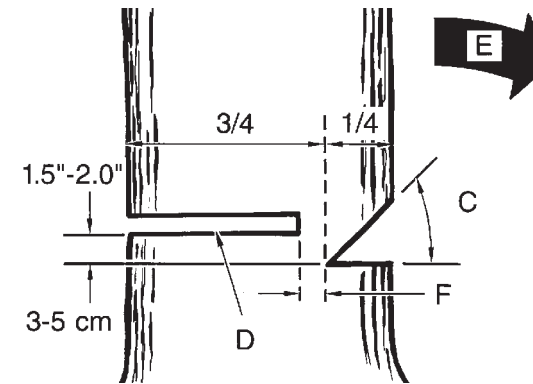
segúrese de no hacer el corte inferior muy profundo dentro del tronco.

La ranura (C) deberá ser lo bastante profunda para crear una articulación (F) de suficiente anchura y fuerza. La ranura deberá ser lo suficiente ancha para dirigir la caída del árbol por el mayor tiempo posible.

ADVERTENCIA

Nunca camine en frente de un árbol que haya sido ranurado.

Realice el corte de talado (D) desde la otra parte del árbol y 3-5cm (1.5 - 2.0") arriba del borde de la ranura (C) (Figura 5-2B).



5-2B

Nunca corte completamente a través del tronco. Siempre deje una articulación. La articulación guía el árbol. Si el tronco es completamente cortado a través, se pierde el control sobre la dirección de la caída.

Inserte una cuña o una barra de talado en el corte antes de que el árbol se vuelva inestable y empiece a moverse. Esto prevendrá que la barra guía se doble en el corte si usted juzga mal la dirección de la caída. Asegúrese de que ningún espectador haya entrado dentro del alcance del árbol antes de empujarlo.

ADVERTENCIA

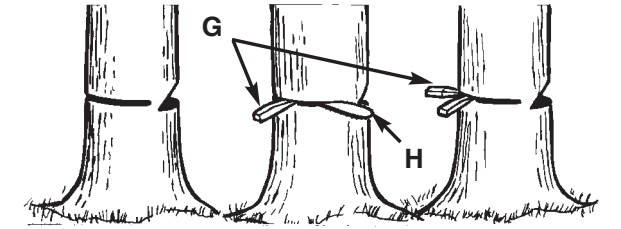
Antes de realizar el corte final, siempre revise el área de espectadores, animales u obstáculos.

CORTE DE TALADO:

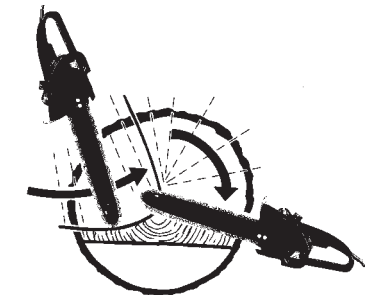
1. Utilice cuñas de madera o plástico (G) para prevenir el doblamiento de la barra o cadena (H) en el corte. Las cuñas también controlan la caída (Figura 5-2C).
2. Cuando el diámetro de la madera es más grande que la longitud de la barra, realice 2 cortes como se muestra (Figura 5-2D).

ADVERTENCIA

Al tiempo que el corte de talado se acerca a la articulación, el árbol deberá de empezar a caer. Cuando el árbol empiece a caer, remueva la sierra del corte, apague el motor, ponga la sierra en el suelo, y abandone el área a lo largo del sendero de retirada (Figura 5-2B).



5-2C



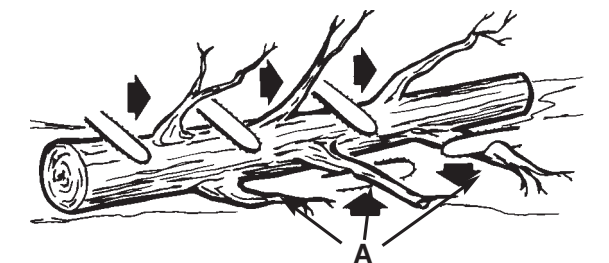
5-2D

5-3. DESRAMADO

El desramado es el proceso por el cual se remueven las ramas de un árbol caído. No remueva las ramas de soporte (A) hasta que que el tronco es aserrado (cortado) en piezas (Figura 5-3A). Las ramas bajo tensión deberán ser cortadas desde abajo para evitar el doblado de la sierra de cadena.

ADVERTENCIA

Nunca corte las ramas del árbol mientras se encuentre parado sobre el tronco del árbol.



5-3A

5 - INSTRUCCIONES DE CORTADO GENERALES

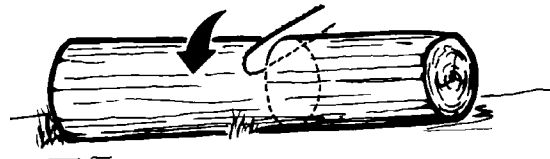
5-4. LEÑADO

Leñado es cortar un tronco caído en pedazos. Asegúrese de tener una buena base para los pies y pararse hacia arriba del tronco cuando corte en un terreno con pendiente. Si es posible, el tronco deberá ser apoyado de manera que el extremo que será cortado no repose en el suelo. Si el tronco está apoyado en los dos extremos y usted tiene que cortar en la mitad, realice un corte inclinado hasta la mitad dentro del tronco y luego realice el corte por abajo. Esto evitará que el tronco pellizque la barra y cadena. Tenga cuidado de que la cadena no corte dentro del suelo cuando leñe, esto causa un rápido desafilado de la cadena.

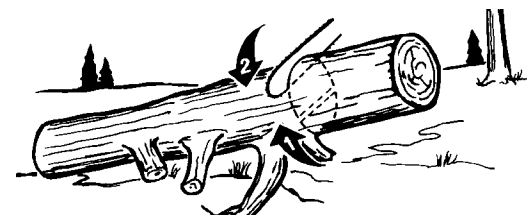
Cuando leñe en una pendiente, siempre parese en la parte de arriba.

1. Tronco apoyado a lo largo de toda la longitud: Corte desde arriba (leñar por arriba), siendo cuidadoso para evitar cortar dentro del suelo (Figura 5-3B).
2. Tronco apoyado en 1 extremo: Primero, corte desde abajo (leñar por abajo) 1/3 del diámetro del tronco para evitar astillamiento. Segundo, corte desde arriba (leñar por arriba) para encontrar el primer corte y evitar el pellizcado (Figura 5-4A).
3. Tronco apoyado en ambos extremos: Primero, Leñe por arriba 1/3 del diámetro del tronco para evitar astillamiento. Segundo, leñe por abajo para encontrar el primer corte y evitar el pellizcado (Figura 5-4B).

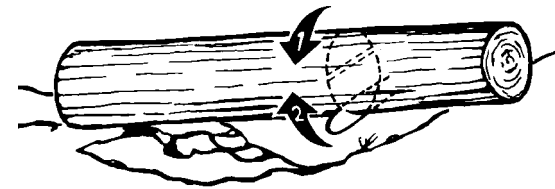
NOTA: La mejor manera de sostener un tronco mientras es leñado es usar un caballete de leñado. Cuando esto no es posible, el tronco deberá ser levantado y soportado por las ramas soporte o usando troncos de soporte. Asegúrese de que el tronco que está siendo cortado este seguramente apoyado.



5-4A



5-4B



5-4C

5-5. LEÑADO USANDO UN CABALLETE PARA ASERRAR

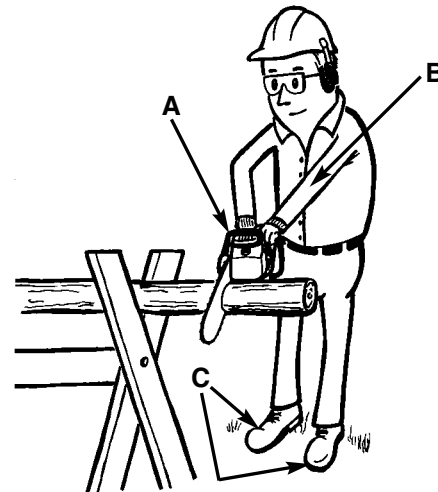
Para seguridad personal y un cortado mas sencillo, la posición correcta para el leñado vertical es esencial (Figura 5-5A).

CORTANDO VERTICALMENTE:

- A. Sostenga la sierra firmemente con ambas manos y mantenga la sierra a la derecha del cuerpo mientras esta cortando.
- B. Mantenga el brazo izquierdo lo más recto posible.
- C. Conserve su balance sobre ambos pies.

PRECAUCION

Mientras la sierra esta cortando, asegúrese que la barra y cadena estén siendo propiamente lubricadas.



5-5A

6 - MANTENIMIENTO DE LA BARRA / CADENA

6-1. MANTENIMIENTO DE LA BARRA GUIA ADVERTENCIA

Asegúrese de que los cables de poder estén desconectados antes de realizar cualquier mantenimiento en su sierra.

Un propio mantenimiento de la barra guía, como se explica en esta sección, es esencial para mantener su sierra en buenas condiciones de servicio.

MANTENIMIENTO DE LA BARRA GUIA:

La mayoría de los problemas de la barra guía puede ser prevenidos simplemente conservando la sierra de cadena bien mantenida.

Un llenado incorrecto y unos eslabones de cortado y ajuste en la medida de profundidad no uniformes son la causa de la mayoría de los problemas de la barra guía, resultando primeramente en un desgaste desproporcionado de la barra. Al tiempo que le barra se desgasta desproporcionalmente, los rieles se agrandan, lo cual puede causar estruendo en la cadena y dificultad al hacer cortes derechos.

Una insuficiente lubricación de la barra guía y operación de la sierra con la cadena DEMASIADO APRETADA contribuirá a un desgaste rápido de la barra (vea la Sección 6-2).

Para ayudar a minimizar el desgaste de la barra, los siguientes procedimientos de mantenimiento para la barra guía son recomendados.

DESGASTE DE LA BARRA - De vuelta a la barra guía frecuentemente a intervalos regulares (por ejemplo, después de cada 5 horas de uso), para asegurarse de un desgaste parejo en la parte superior e inferior de la barra.

RANURAS DE LA BARRA - Las ranuras de la barra (o rieles que soportan y conducen la cadena) deberán ser limpiados si la sierra ha sido utilizado para servicio pesado o si la sierra manifiesta suciedad. Los rieles deben de ser limpiados cada vez que la cadena de la sierra es removida.

PASAJES DE ACEITE - Los pasajes de aceite en la base de la sierra deben de ser limpiados, para asegurar una lubricación propia de la barra y cadena durante la operación. Esto puede ser realizado usando un alambre blando lo suficientemente pequeño para insertarlo dentro del agujero de descarga de aceite.

PARA LIMPIAR LOS RIELES DE LA BARRA:

1. Remueva la cubierta del piñón, la barra y cadena (vea la Sección 3-4).
2. Utilizando un desarmador, navaja, cepillo de alambre o cualquier otro instrumento similar, limpie residuos de los rieles de la barra guía. Esto mantendrá los pasajes abiertos para proveer una lubricación adecuada a la barra y cadena (Figura 6-1B).
3. Reinstale la barra, cadena y las tuercas retenedoras de la barra. (Vea la Sección 3-4.)

6-2. INSTRUCCIONES DE MANTENIMIENTO DE LA CADENA PRECAUCION

A menos de que usted tenga experiencia y entrenamiento especializado para tratar con el contragolpe (vea las Precauciones de Seguridad), siempre utilice una cadena para sierra de contragolpe bajo, la cual reduce significativamente el peligro de un contragolpe. Una cadena de contragolpe bajo o "cadena de precaucion" nunca deberá ser referida como protección total contra una lesión.

Siempre utilice cadenas para sierras de reemplazo designadas como "contragolpe bajo" o una cadena para sierra que reúna los requisitos de rendimiento del contragolpe de la ANSI (Instituto Nacional Americano de Normas).

Una cadena para sierra convencional (una cadena que no tiene los eslabones de resguardo para reducir el contragolpe) solamente deberá ser utilizado por un operador de sierras de cadena profesional experimentado.

Que es una Cadena de Contragolpe Bajo?

Una cadena de contragolpe bajo es una cadena la cual ha cumplido los requerimientos de rendimiento del contragolpe de la ANSI B175.1. No utilice una cadena de repuesto diferente a menos que llene estos requisitos para su modelo particular.

Mediante el mantenimiento del la cadena de la sierra en buenas condiciones de trabajo y dandole servicio correctamente como se recomienda en este manual, usted podrá mantener el sistema de precaución de su sierra mas allá de la vida del producto.

ADVERTENCIA

Nunca remueva, modifique o haga inoperativo cualquier mecanismo de seguridad construido en su unidad. El Guardamanos y la cadena de contragolpe bajo son los mayores aspectos de seguridad proveisos para us protección.

ADVERTENCIA

Siempre utilice guantes de protección para trabajo pesado y desconecte el cable de extensión cuando trabaje en la sierra.

TENSION DE LA SIERRA:

Revise la tensión frecuentemente y ajustela tan pronto como se necesite para mantener la cadena ajustada a la barra, pero lo suficientemente suelta para ser jalada con la mano. (Vea la sección 3-5, Ajuste de la Tensión de la Cadena de la Sierra.)

6 - MANTENIMIENTO DE LA BARRA / CADENA

ACONDICIONAMIENTO EN UNA CADENA PARA SIERRA NUEVA:

Una barra y cadena nueva requerirán un reajuste después de tan pocos como cinco (5) cortes. Esto es normal dentro del periodo de acondicionamiento, y los intervalos dentro de los próximos ajustes se alargarán rápidamente.

Sobre un periodo de tiempo, de cualquier manera, las partes móviles de la sierra se gastarán, dando como resultado lo que es llamado ALARGAMIENTO DE LA CADENA. Esto es normal. Cuando no es posible obtener el ajuste de tensión correcto, un eslabón tendrá que ser removida para acortar la cadena. Vea a su Centro de Servicio Autorizado McCulloch, listado bajo "SIERRAS" en las Páginas Amarillas de su Directorio Telefónico, para realizar esta reparación.

ADVERTENCIA / PRECAUCION


Nunca tenga mas de tres (3) eslabones removidos del haro de la sierra. Esto puede causar daño al piñón.

7 - INSTRUCCIONES DE MANTENIMIENTO

7-1.MANTENIMIENTO PREVENTIVO

ADVERTENCIA

SERVICIO AL APARATO DE AISLADO DOBLE.

En este aparato de aislado doble, 2 sistemas de aislamiento, en lugar de una conexión de tierra, son proveidos. El que no halla conexión de tierra significa que es proveido en un aparato con doble aislamiento, no que una conexión de tierra deberá ser adherida al aparato. No se encuentran partes de servicio para el usuario adentro de la sierra. Un aparato con doble aislamiento es marcado con las siguientes palabras, "AISLAMIENTO DOBLE" o "DOBLEMENTE AISLADO". El simbolo  (cuadro dentro de un cuadro) también podrá ser marcado en el aparato.

1. Ponga el interruptor en la posición de APAGADO y desconecte la fuente de poder antes de que el aparato tenga servicio, limpiado, o mantenimiento es realizado.
2. Mantenga la toma de aire limpia y los orificios de ventilación libres de escombros para prevenir el sobre calentamiento del motor.
3. Limpie con una esponja y poco jabón. No la rocíe con una manguera de agua o moje con agua u otros líquidos.
4. Inspeccione la cadena de la sierra para una tensión propia antes de cada uso y frecuentemente durante el cortado. Afiela como se requiera.
5. Limpie la barra guía y el cojín de la barra para asegurarse de que el sendero se encuentre libre para aceite.
6. Voltee la barra despues de cada uso para que se desgaste igualmente.
7. No es necesaria la lubricación del motor. El motor esta equipado con engranes lubricados de por vida
8. Si la sierra no opera, coloque el interruptor en la posición de APAGADO y desconecte el cable de extensión, primero de la fuente de poder, después de la sierra. Inspeccione la fuente de poder de fusibles quemados o interruptores automáticos sueltos. Si sigue sin operar, contacte el Departamento de Servicio del Producto McCulloch, a travez del número gratuito listado en la portada trasera de este manual para información de servicio. No intente reparala usted mismo. No se encuentran partes de servicio para el usuario adentro de la sierra.

10 - GARANTÍA LIMITADA DE UN AÑO

1. DURACIÓN

La duración de la garantía de este producto McCulloch es la siguiente: UN (1) AÑO desde la fecha de la compra original sólo cuando se utilice para uso personal, familiar, casero, en granja o rancho, y siempre que no se subarriende o alquile; NOVENTA(90) DÍAS desde la fecha de compra original cuando se utilice para fines comerciales, profesionales, institucionales o de subarriendo. Esta garantía le proporciona derechos legales específicos. También puede proporcionarle otros derechos que varían de estado a estado. MCCULLOCH LLC RENUNCIA A CUALQUIER GARANTÍA IMPLÍCITA UNA VEZ QUE LA FECHA DE EXPIRACIÓN DE LA GARANTÍA EXPRESADA CORRESPONDIENTE HA EXPIRADO.

(Algunos estados no permiten limitaciones en la duración de una garantía implícita, por lo que las limitaciones arriba mencionadas pueden no ser aplicables en su caso).

2. EMISOR DE ESTA GARANTÍA

McCulloch U.S.A 1-800-521-8559
1030 Stevens Creek Road, Augusta, GA 30907

3. BENEFICIARIO DE ESTA GARANTÍA

- El comprador del producto McCulloch (a menos que utilice el producto para fines de subarriendo o alquiler).
- Cualquier persona a la que le sea transferida dicho producto legalmente durante la duración de la garantía implícita o escrita aplicable al producto.
- Cualquier otra persona autorizada según los términos establecidos en la garantía o que, según la ley del estado, pueda obligar al emisor de la garantía a aplicarla.
(Las partes arriba mencionadas se denominarán a partir de ahora como "el Usuario").

4. ÁMBITO DE APLICACIÓN DE ESTA GARANTÍA

La garantía se aplica durante la duración especificada sobre problemas derivados de defectos en los materiales o en su fabricación.

5. ASPECTOS NO CUBIERTOS POR ESTA GARANTÍA

- Cualquier daño accidental o derivado que pueda producir fallos o un funcionamiento incorrecto del producto McCulloch. (Algunos estados no permiten la exclusión de dichos daños accidentales o derivados, por lo que dichas limitaciones pueden no ser aplicables en su caso).
- Cualquier fallo derivado de accidentes, uso incorrecto, negligencia o uso indebido del producto según las instrucciones incluidas en el manual de usuario adjunto al producto, o que se produzca como resultado de un mantenimiento incorrecto realizado por un servicio de reparación no autorizado.
- Ajustes ordinarios explicados en el manual de usuario adjunto al producto.
- Cualquier pieza o accesorio no vendido o fabricado por el emisor de la garantía.
- Ajuste anterior a la entrega o ensamblaje de piezas.
- Esta garantía no es aplicable a los accesorios, ajustes o al mantenimiento ordinario del producto especificados en el manual de usuario

6. RESPONSABILIDADES DEL EMISOR DE LA GARANTÍA SEGÚN LAS CONDICIONES DE LA MISMA

- Reparar o sustituir las piezas defectuosas durante la duración de la garantía aplicable sin coste alguno para el usuario
- Garantizar que el taller reparador autorizado recibe el reembolso correspondiente a los gastos de las piezas y mano de obra realizados como resultado de una reparación bajo garantía según lo prescrito en los procedimientos y directrices de la garantía establecida.

7. RESPONSABILIDADES DEL USUARIO SEGÚN LA GARANTÍA

- El usuario se compromete a entregar o enviar el producto McCulloch original protegido por esta garantía al vendedor al que adquirió el producto originalmente o al servicio autorizado más cercano. Es necesario presentar una prueba de compra del producto.
- Los gastos derivados de cualquier envío correrán a cargo del usuario.
- El usuario debe manejar con cuidado el producto cuando vaya a hacerlo funcionar o a almacenarlo, tal y como se especifica en el manual de usuario.

8. PERÍODO DE CUMPLIMIENTO DE LAS OBLIGACIONES DERIVADAS DE LA GARANTÍA POR PARTE DE SU EMISOR

- La reparación de productos bajo garantía se programará según la cantidad de trabajo existente en el servicio de reparación y dependiendo de la disponibilidad de las piezas de recambio.
- Si el periodo de reparación supera los diez (10) días a partir del momento en que el producto fue entregado al servicio de reparación, la garantía se ampliará a los días en los que el producto permanece inútil.
- Si el usuario no estuviera satisfecho con el trabajo del servicio de reparación, tiene la posibilidad de ponerse en contacto con McCulloch a través de el número de teléfono gratuito.

Free Manuals Download Website

<http://myh66.com>

<http://usermanuals.us>

<http://www.somanuals.com>

<http://www.4manuals.cc>

<http://www.manual-lib.com>

<http://www.404manual.com>

<http://www.luxmanual.com>

<http://aubethermostatmanual.com>

Golf course search by state

<http://golfingnear.com>

Email search by domain

<http://emailbydomain.com>

Auto manuals search

<http://auto.somanuals.com>

TV manuals search

<http://tv.somanuals.com>