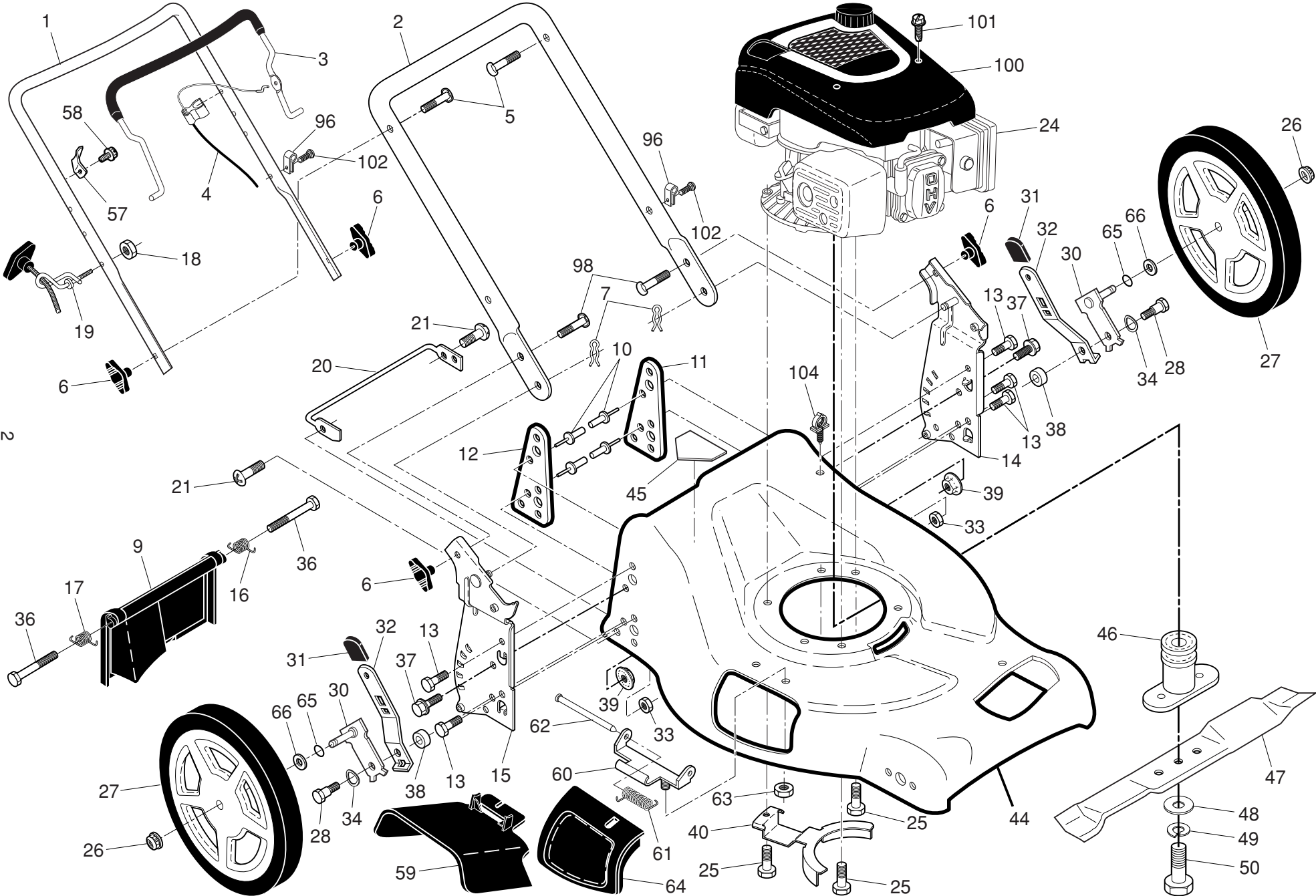


## ILLUSTRATED PARTS LIST

**MODEL NUMBER M53-170WFP**  
**PRODUCT NUMBER 961 41 02-78**  
**MFG. ID. NUMBER 96141027800**

**McCULLOCH ROTARY LAWN MOWER - MODEL NO. M53-170WFP (96141027800) PRODUCT NO. 961 41 02-78**

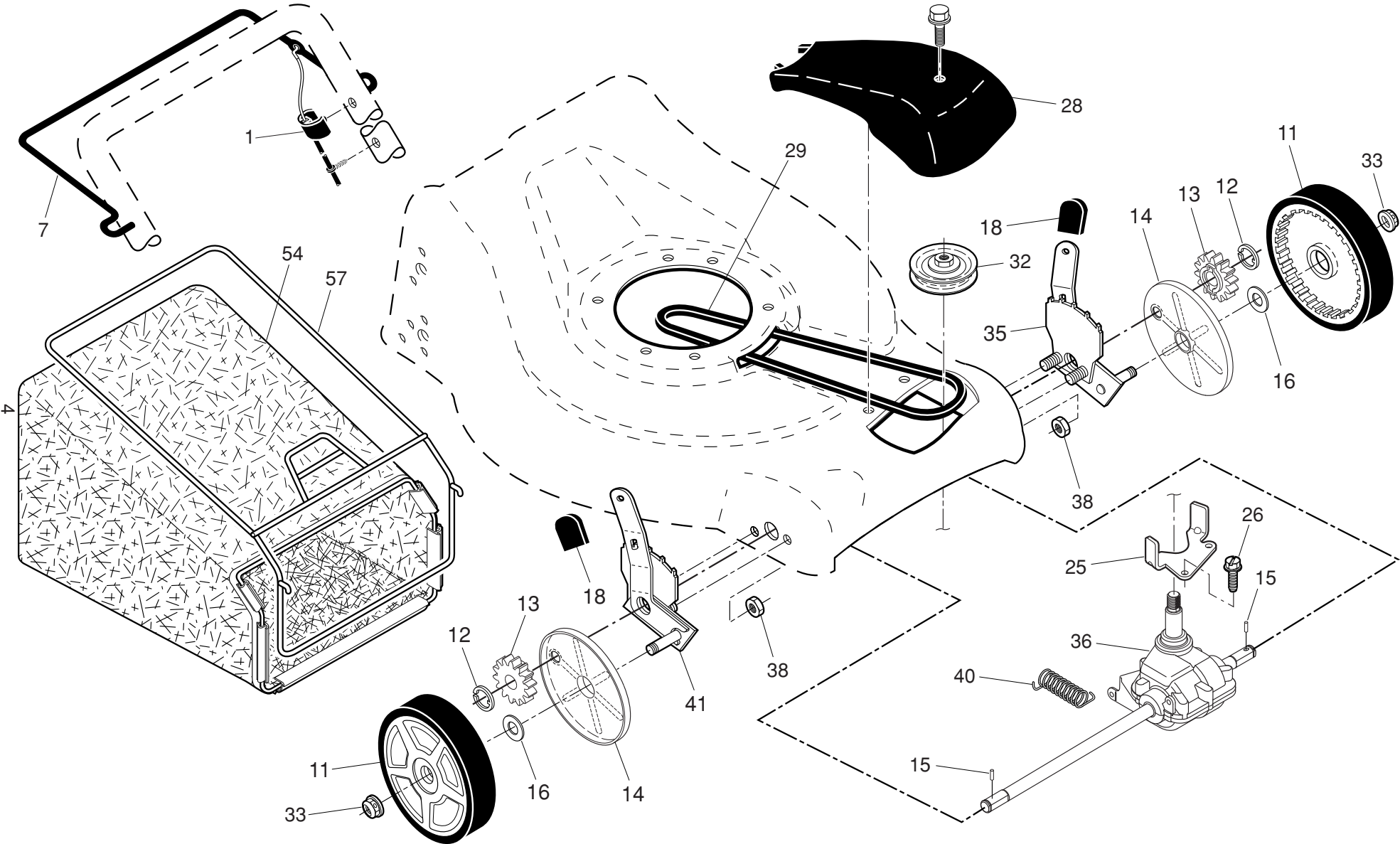


# McCULLOCH ROTARY LAWN MOWER - MODEL NO. M53-170WFP (96141027800) PRODUCT NO. 961 41 02-78

KEY NO.	PART NO.	DESCRIPTION	KEY NO.	PART NO.	DESCRIPTION
1	580 63 87-02	Upper Handle	37	874 78 05-12	Thread Cutting Screw w/Sems 5/16-18 x 3/4
2	532 43 45-14	Lower Handle	38	532 40 16-29	Spacer
3	580 84 91-04	Control Bar, Molded	39	532 15 53-77	Nut, Hex, Flanged 5/16-18
4	532 42 40-33	Engine Zone Control Cable	40	532 43 50-59	Belt Keeper
5	532 19 15-74	Handle Bolt	44	532 40 92-65	Kit, Lawn Mower Housing (Includes Key Numbers 10, 11, 12 and 45)
6	532 19 19-38	Handle Knob	45	532 18 21-66	Danger Decal
7	532 05 17-93	Hairpin Cotter	46	532 43 22-79	Blade Adapter / Pulley
9	532 40 69-85	Rear Door	47	532 19 93-77	Blade, 21"
10	532 12 84-15	Pop Rivet	48	532 85 10-74	Hardened Washer
11	532 41 05-40	Support Bracket, LH	49	532 85 02-63	Helical Washer 3/8-24 x 1-3/8 Grade 8
12	532 41 05-42	Support Bracket, RH	50	532 18 17-12	Hex Head Machine Screw 3/8-24 x 1-3/8 Grade 8
13	817 06 04-10	Screw 1/4-20 x 5/8	57	532 43 00-34	Upstop Bracket
14	532 43 45-13	Handle Bracket Assembly, LH	58	532 17 88-48	Screw, Hex Washer Head #10-16 x 5/8
15	532 43 45-12	Handle Bracket Assembly, RH	59	532 17 50-71	Discharge Deflector
16	532 40 54-17	Spring, Rear Door, LH	60	532 17 57-35	Hinge Bracket
17	532 40 54-18	Spring, Rear Door, RH	61	532 19 30-00	Hinge Spring
18	532 13 20-04	Nut, Hex	62	532 17 56-50	Hinge Rod
19	532 19 47-88	Rope Guide	63	873 80 04-00	Nut, Hex
20	532 43 61-19	Foot Guard, C.E.	64	532 17 50-66	Mulcher Door
21	817 49 04-16	Screw, Tapping 1/4-20 x 1/2	65	532 19 74-80	O-Ring
24	581 04 40-01	Engine, Rato, Model Number RV170 (See Breakdown)	66	532 08 83-48	Washer, Flat
25	532 15 04-06	Hex Head Thread Rolling Screw 3/8-16 x 1-1/8	96	532 19 79-91	Clip, Cable
26	532 40 91-49	Hex Flange Nut	98	872 25 05-05	Bolt, Carriage
27	581 01 03-05	Wheel & Tire Assembly, Rear, 12"	100	580 29 06-01	Shroud, Engine
28	532 40 16-38	Shoulder Bolt 5/16-18 x .33	101	580 77 53-01	Screw, Mounting, Engine Shroud
30	532 41 31-41	Axle Arm Assembly, Rear	102	532 42 81-24	Fastener, Push
31	532 08 78-77	Selector Knob	104	<b>532 14 50-06</b>	Clip, Cable
32	532 40 98-89	Selector Spring	--	532 19 97-32	Decal, Warning (not shown)
33	873 80 05-00	Nut, Hex 5/16-18	--	115 53 83-20	Operator's Manual, European
34	532 40 16-30	Washer, Curved, Cylindrical	--	115 53 83-10	Operator's Manual, Scandinavian
36	532 18 41-93	Bolt	--	115 53 83-50	Operator's Manual, East Bloc
			--	115 53 83-40	Operator's Manual, Baltic

**NOTE:** All component dimensions given in U.S. inches. 1 inch = 25.4 mm. **IMPORTANT:** Use only Original Equipment Manufacturer (O.E.M.) replacement parts. Failure to do so could be hazardous, damage your lawn mower and void your warranty.

**McCULLOCH ROTARY LAWN MOWER - MODEL NO. M53-170WFP (96141027800) PRODUCT NO. 961 41 02-78**



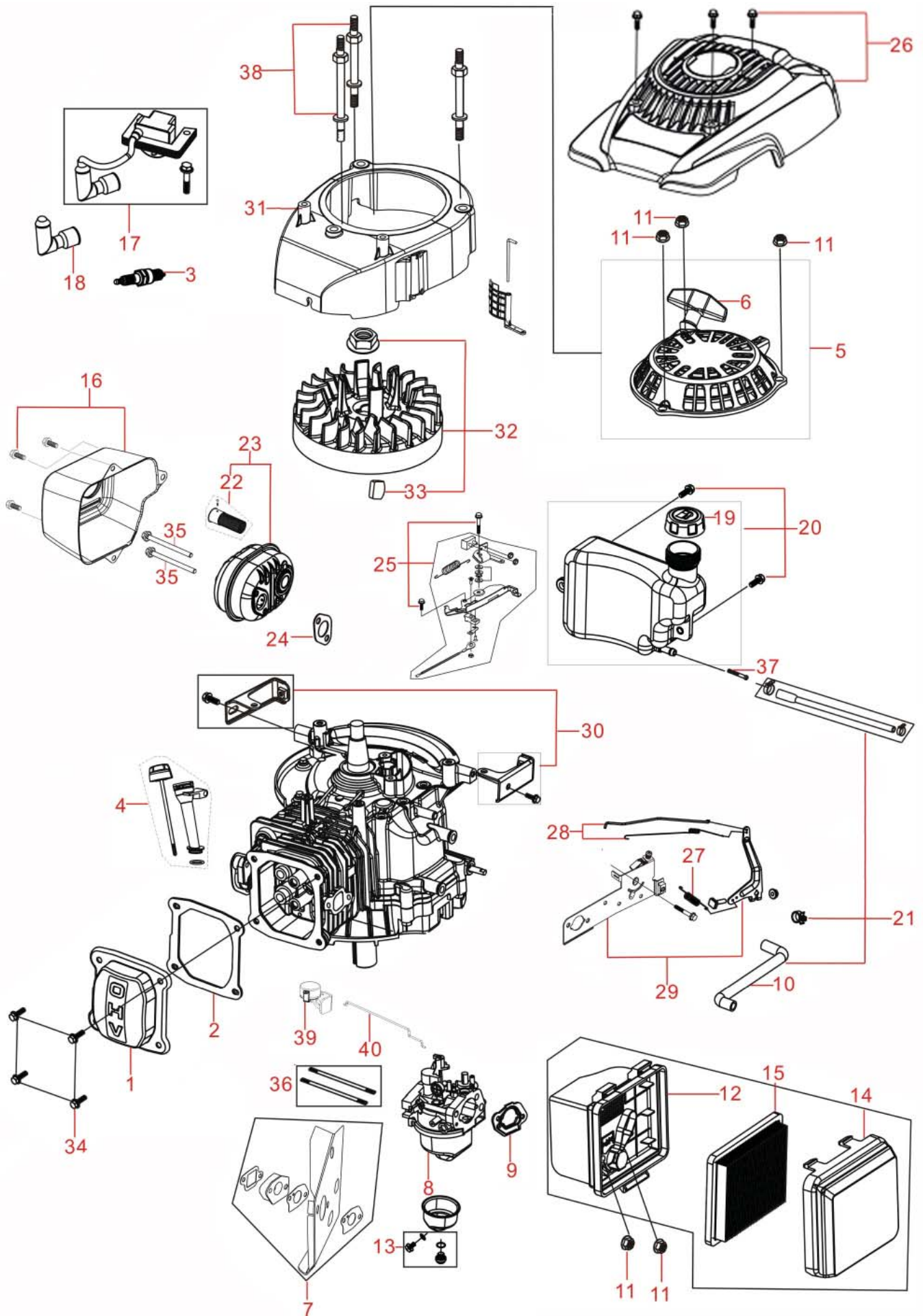
# McCULLOCH ROTARY LAWN MOWER - MODEL NO. M53-170WFP (96141027800) PRODUCT NO. 961 41 02-78

KEY NO.	PART NO.	DESCRIPTION	KEY NO.	PART NO.	DESCRIPTION
1	581 07 69-01	Drive Control Assembly (Includes Cable)	29	532 19 41-49	V-Belt
7	580 65 93-02	Control Bar, Drive	32	532 44 32-62	Drive Pulley
11	581 00 92-05	Wheel & Tire Assembly, Front (Driven)	33	532 40 91-48	Locknut, Hex
12	812 00 00-58	E-Ring	35	532 43 84-85	Kit, Wheel Adjuster, LH (Includes Knob and Bearing)
13	532 40 38-49	Pinion Assembly	36	532 40 48-33	Gearcase Assembly, Complete
14	581 84 04-01	Dust Cover	38	873 80 04-00	Locknut, Hex 1/4-20
15	532 40 48-45	Pawl, Drive	40	532 40 65-58	Spring
16	532 06 77-25	Washer 1/2 x 1-1/2 x .134	41	532 43 84-86	Kit, Wheel Adjuster, RH (Includes Knob and Bearing)
18	532 08 78-77	Selector Knob	54	580 95 34-04	Grassbag
25	532 43 17-11	Belt Keeper	57	532 41 19-50	Frame, Grassbag
26	532 16 34-09	Screw, Hi-Lo Thread #12 x 5/8			
28	532 43 26-62	Drive Cover Assembly (Includes Mounting Screw and Pushnut)			

5

**NOTE:** All component dimensions given in U.S. inches. 1 inch = 25.4 mm. **IMPORTANT:** Use only Original Equipment Manufacturer (O.E.M.) replacement parts. Failure to do so could be hazardous, damage your lawn mower and void your warranty.

# RATO ENGINE - - MODEL NUMBER RV-170 (PART NUMBER 581 04 40-01)



# RATO ENGINE - - MODEL NUMBER RV-170 (PART NUMBER 581 04 40-01)

KEY NO.	PART NO.	DESCRIPTION	KEY NO.	PART NO.	DESCRIPTION
1	532 43 75-56	Cover, Valve Cover	26	580 29 06-01	Shroud, Engine (Includes M5 Bolt)
2	532 43 75-57	Gasket, Valve Cover		581 85 74-01	Shroud, Engine (Without M5 Bolt)
3	581 66 83-01	Plug, Spark	27	581 67 27-01	Spring, Governor
4	581 85 62-01	Dipstick, Oil	28	581 85 85-01	Throttle Linkage (Consists of: Governor Rod and Throttle Return Spring)
5	581 66 35-01	Recoil Starter Assembly (with Hardware)	29	581 85 86-01	Throttle Control Assembly (Consists of: Governor Control Bracket and Mounting Plate)
6	581 85 67-01	Recoil Strater Handle (without Rope)	30	532 43 93-82	Fuel Tank Bracket Assembly (Consists of: LH and RH Mounting Brackets and M6 Bolts)
7	581 85 77-01	Carburetor Gasket Kit (Consists of: Carburetor Insulator Plate, Insulator Plate Gasket, Carburetor Gasket and Carburetor Insulator Gasket)	31	581 66 59-01	Blower Housing
8	581 66 94-01	Carburetor Assembly	32	581 85 84-01	Flywheel Assembly (Includes Nut, Washer and Key)
9	581 67 01-01	Gasket, Air Cleaner	33	580 49 14-01	Key, Crankshaft
10	581 67 06-01	Tube, Breather	34	580 49 15-01	Bolt, Valve Cover
11	532 43 75-68	Nut, M6	35	580 49 17-01	Stud
12	581 67 20-01	Base, Air Cleaner	36	581 67 32-01	Stud, M6
13	581 85 78-01	Service Kit, Carburator (Consists of: Float Bowl Bolt, Fuel Drain Plug, Float Bowl Washer and Fuel Drain Washer)	37	580 49 18-01	Filter, Fuel
14	581 67 21-01	Cover, Air Cleaner Case	38	580 49 40-01	Stud, Blower Housing, M6
15	532 43 93-77	Element, Air Cleaner	39	583 94 59-01	Temperature Control System
16	581 85 80-01	Muffler Guard (Includes M6 Nut)	40	583 94 59-02	Thermal Rod
17	581 85 81-01	Coil, Ignition (Includes M6 Bolt and M6 Stud)	NOT ILLUSTRATED:		
18	532 43 93-78	Cap, Spark Plug	--	581 85 65-01	High Altitude Kit, C.E. (Consists of: Main Jet #3000, Washers and Instruction Sheet)
19	532 43 75-75	Cap, Fuel	--	581 51 26-01	Exhaust Deflector Assembly
20	532 43 75-76	Tank, Fuel (Includes M6 Bolt)	--	115 55 07-29	Owner's Manual
21	581 85 82-01	Service Kit (Consists of: Fuel Hose, Breather Hose, Hose Clamps and Clip)	--	581 85 89-01	Engine Assembly (without Shroud), 61mm Crankshaft
22	581 51 26-01	Spark Arrester (Includes M6 Nut)	--	581 85 89-02	Engine Assembly (without Shroud), 80mm Crankshaft
23	581 67 25-01	Muffler			
24	581 67 26-01	Gasket, Exhaust			
25	581 85 83-01	Brake Assembly (Includes Kill Switch and M6 Bolt)			

## Free Manuals Download Website

<http://myh66.com>

<http://usermanuals.us>

<http://www.somanuals.com>

<http://www.4manuals.cc>

<http://www.manual-lib.com>

<http://www.404manual.com>

<http://www.luxmanual.com>

<http://aubethermostatmanual.com>

Golf course search by state

<http://golfingnear.com>

Email search by domain

<http://emailbydomain.com>

Auto manuals search

<http://auto.somanuals.com>

TV manuals search

<http://tv.somanuals.com>