

INSTALLATION INSTRUCTIONS FOR EYEBROW LINTEL KITS FOR USE WITH ELDV-35, ELDV-40 & ELDV-45 DIRECT VENT GAS FIREPLACES

KIT CONTENTS:

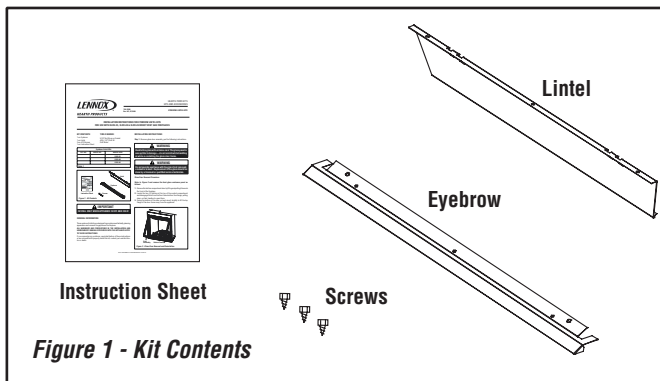
1 ea. Eyebrow
1 ea. Lintel
3 ea. #10 Screws
1 ea. Instruction Sheet

TOOLS NEEDED:

5/16" Nut Driver or Socket
#26 (.147") Drill Bit
Drill Motor

Eyebrow Lintel Kits		
CAT. NO.	MODEL NO.	WHERE USED
H4387	ELD35	ELD35
H4388	ELD40	ELD40
H4389	ELD45	ELD45

Table 1



INSTALLATION INSTRUCTIONS

Step 1. Remove glass door assembly per the following instructions.

! WARNING

Handle this glass with extreme care! The glass panel is susceptible to damage — do not scratch while handling or while re-installing the glass door frame.

! WARNING

Do not operate appliance with the glass front removed, cracked or broken. Replacement of the glass should be done by a licensed or qualified service technician.

Glass Door Removal Procedure:

Refer to *Figure 2* and remove the front glass enclosure panel as follows:

1. Remove the bottom compartment door by lifting and pulling it towards the front of the fireplace.
2. Locate the two (2) latches at the top of the control compartment and disengage them from the floor frame bottom Vee-flange, pulling down on their handles to open them.
3. Swing the bottom of the door out and raise it slightly to lift the top flange of the door frame away from the appliance.

! IMPORTANT

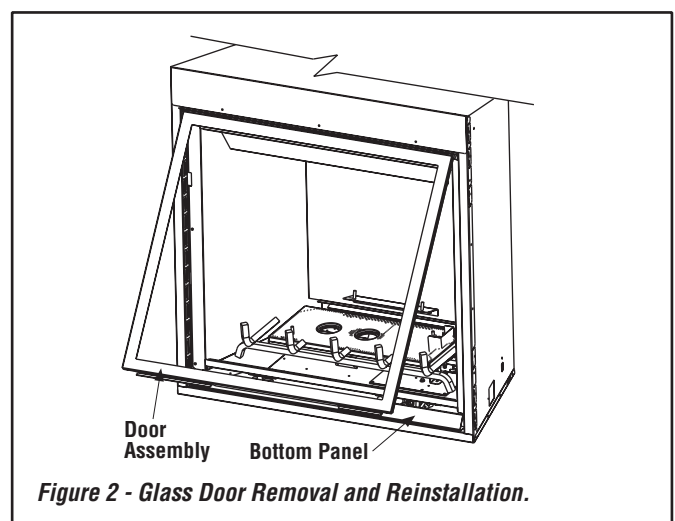
INSTALL ONLY WHEN APPLIANCE IS OFF AND COLD!

GENERAL INFORMATION

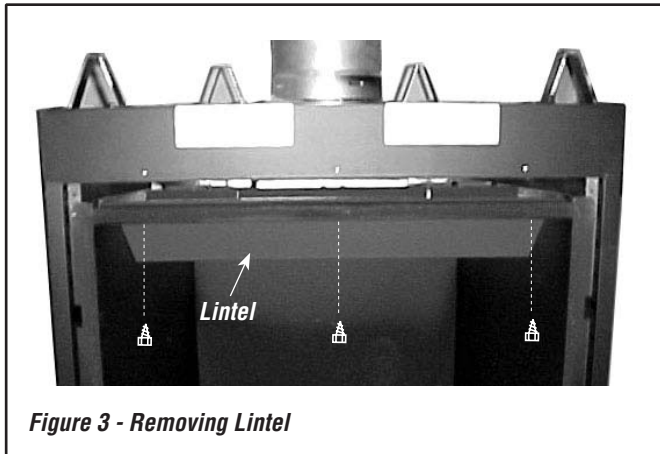
These eyebrow lintel kits are designed to provide an aesthetically pleasing appearance and reduces the gap above the fireplace.

ALL WARNINGS AND PRECAUTIONS IN THE INSTALLATION AND HOMEOWNER'S MANUALS PROVIDED WITH THE APPLIANCE APPLY TO THESE INSTRUCTIONS.

If you encounter any problems, need clarification of these instructions or are not qualified to properly install this kit, contact your local distributor or dealer.



Step 2. Using a 5/16" socket or nutdriver, remove the existing lintel as shown in **Figure 3**. Retain the screws for Step 3.

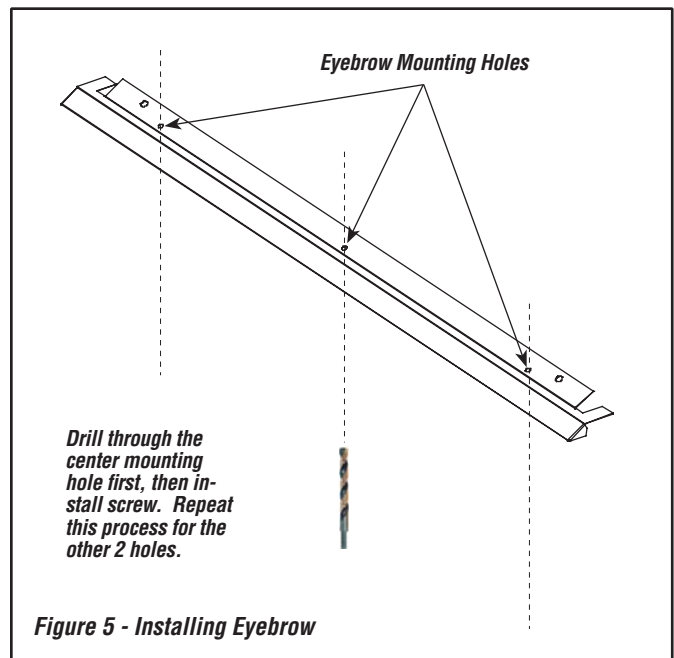
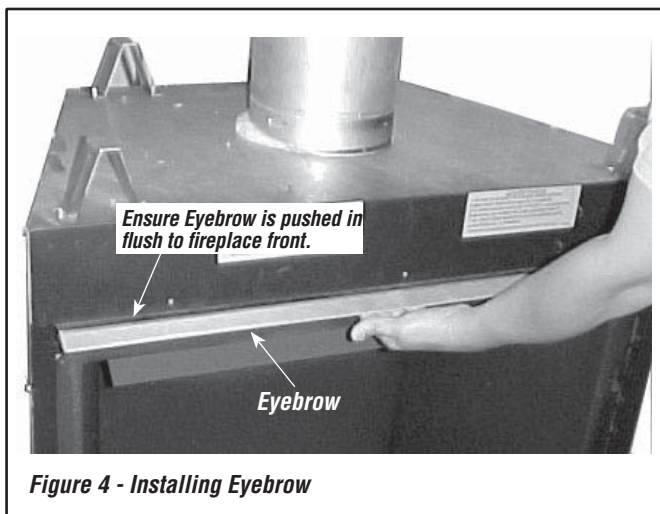


Step 3. Install the new lintel provided using the screws that were removed in step 2 (reversing instructions in step 2 and see **Figure 3**).

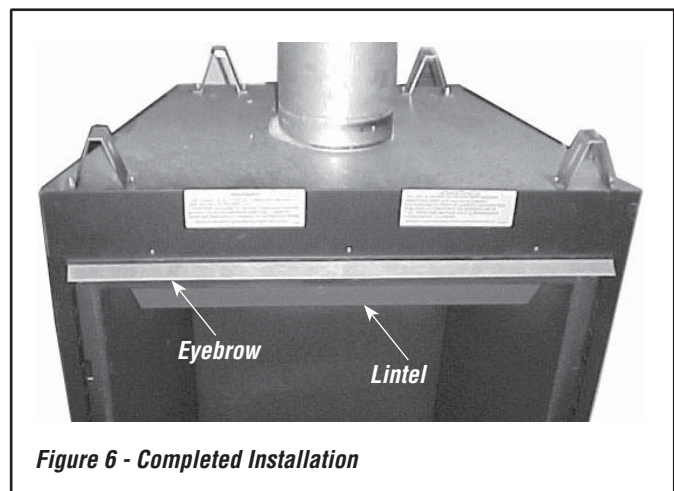
Step 4. Install the eyebrow as follows:

Note: Three holes must be drilled in the fireplace to install the eyebrow. When the eyebrow is properly aligned to the appliance, drill into the holes on the eyebrow and into fireplace.

1. Align the eyebrow provided as shown in **Figure 4**. Ensure that the eyebrow is pushed in flush to the fireplace front.
2. Drill into fireplace through the center hole on eyebrow.
3. Install a screw (provided) into the center hole on eyebrow into hole that you drilled. Repeat this process for the other 2 holes on eyebrow using the other 2 screws provided. See **Figure 5**.



Step 5. Reinstall glass door per instructions in Homeowner's Manual and per Step 1 and **Figure 1**.



NOTE: DIAGRAMS & ILLUSTRATIONS ARE NOT TO SCALE.

LHP reserves the right to make changes at any time, without notice, in design, materials, specifications, prices and the discontinuance of colors, styles and products. Consult your local distributor for fireplace code information.

Free Manuals Download Website

<http://myh66.com>

<http://usermanuals.us>

<http://www.somanuals.com>

<http://www.4manuals.cc>

<http://www.manual-lib.com>

<http://www.404manual.com>

<http://www.luxmanual.com>

<http://aubethermostatmanual.com>

Golf course search by state

<http://golfingnear.com>

Email search by domain

<http://emailbydomain.com>

Auto manuals search

<http://auto.somanuals.com>

TV manuals search

<http://tv.somanuals.com>