

## PS Series Storage Arrays PS4100 Installation

### Before You Begin

This is a condensed reference. Read the safety instructions in your *Safety, Environmental, and Regulatory Information* booklet before you begin. Also read the *Installation and Setup* manual for complete installation information.

### Register for an EqualLogic Customer Support account.

If you do not have a customer service support account, go to [support.dell.com](http://support.dell.com) and create one.

### Download and read the Release Notes from the support site.

The *PS Series Release Notes* contain the latest product information.

### Environmental Requirements.

Make sure the installation location meets the power, cooling, and ventilation requirements in the *Installation and Setup* manual, located in the shipping box.

### Networking Requirements.

Standard Ethernet and TCP/IP networking rules apply to a PS Series SAN. Gigabit Ethernet is recommended for optimal performance.

### Required Hardware (not supplied)

- Standard 19-inch, four-post rack.
- One to four network cables. Supported cables include Category 5E and Category 6 cables with RJ45 connectors. Use Category 5 cables only if they meet the TIA/EIA TSB95 standard.

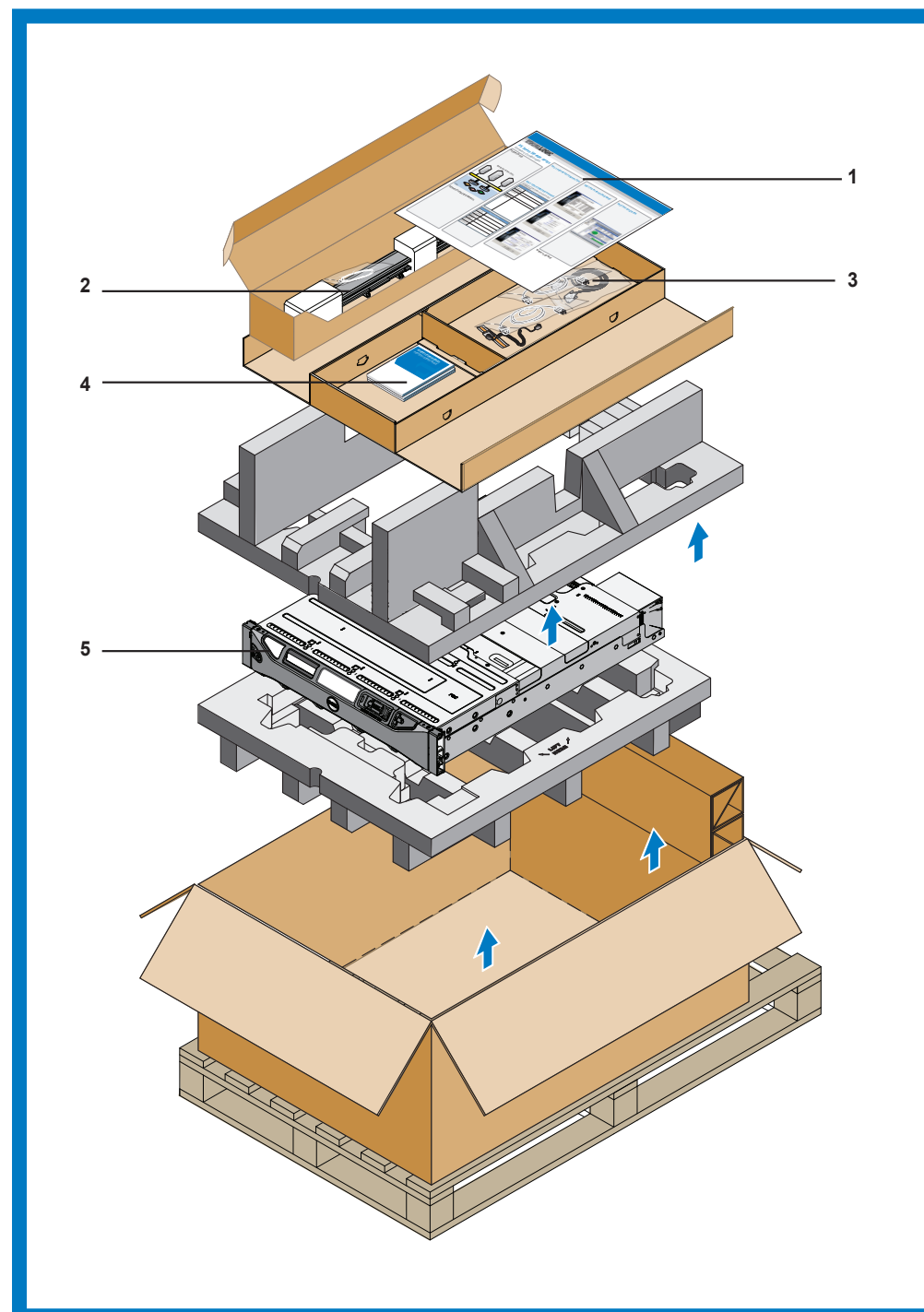
## 1

### Unpack the Shipping Box

**Protect sensitive hardware.** Make sure you use an electrostatic wrist strap or similar form of protection when handling hardware.

Make sure the shipping box contains the following items:

1. Setup poster (this document)
2. Rail kit (if ordered)
3. Accessory box, which includes:
  - All power cables
  - Electrostatic wrist strap
  - Translated documentation
  - Translation CD-ROM
4. Documentation
5. PS4100 chassis



## 2

### Install the Array in a Rack

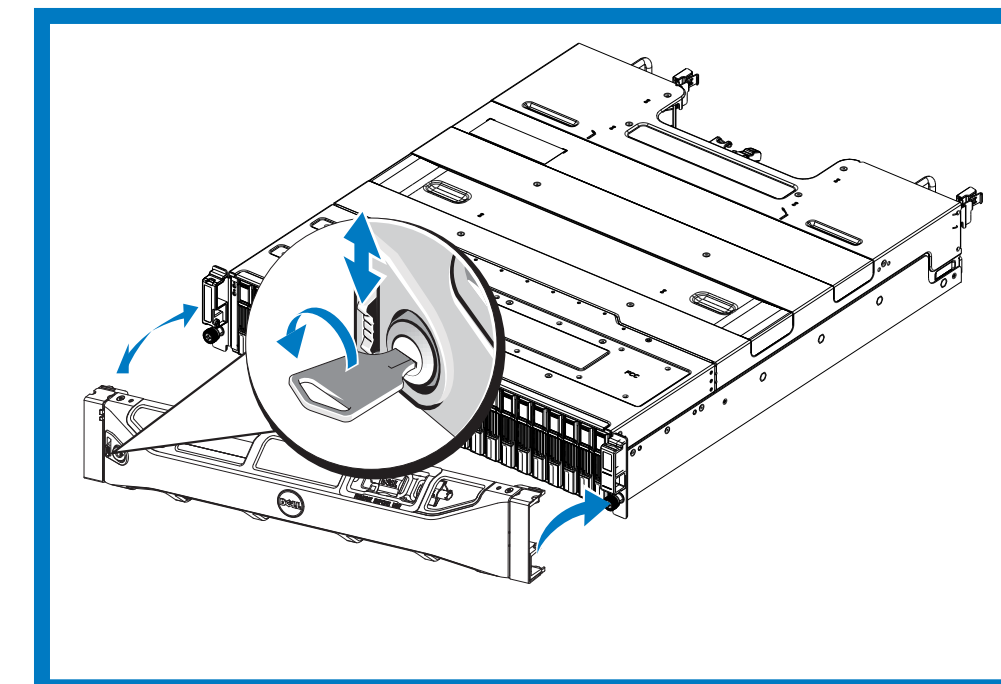
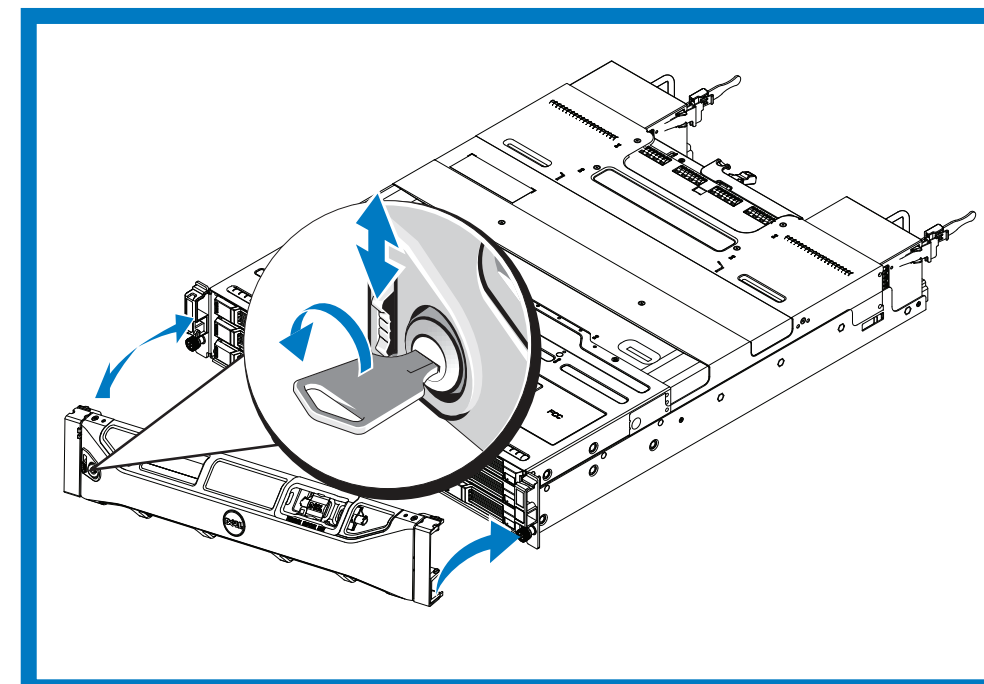
Mount the array in a four-post, 19-inch rack. See the rack instructions that came with the rail kit in your shipping box (if ordered).

**⚠ The array is heavy.** Do not attempt to lift the array without assistance.

## 3

### Install the Front Bezel

1. Hold the bezel with the array model number upright.
2. Hook the right end of the bezel onto the right side of the chassis.
3. Swing the left end of the bezel towards the left side of the chassis.
4. Press the bezel into place until the release latch closes.
5. Using the provided key, lock the front bezel. Store the key in a safe place.



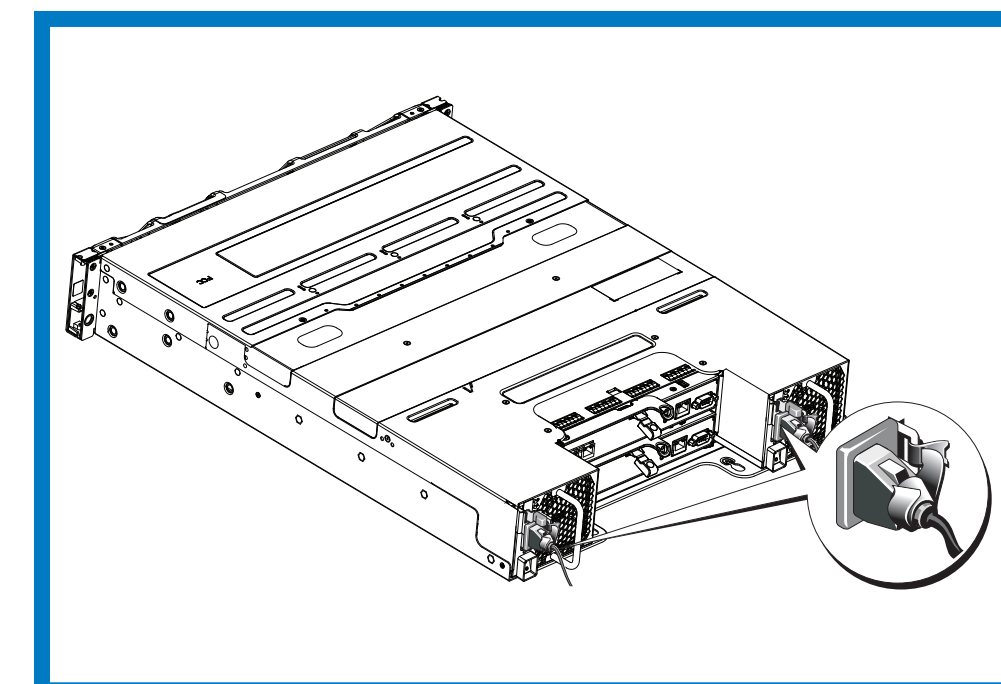
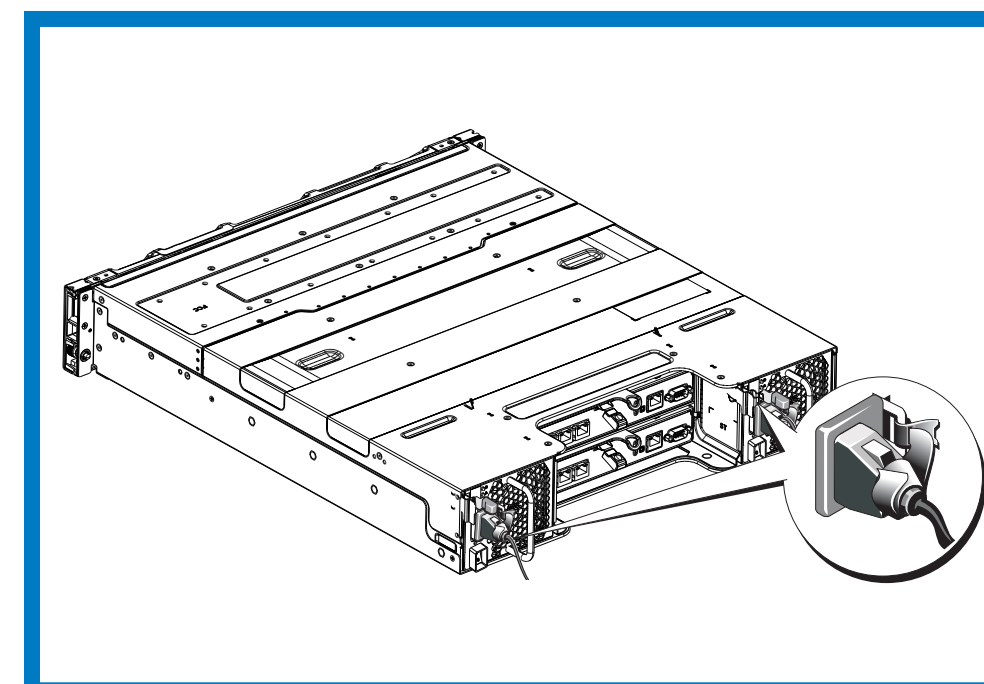
## 4

### Connect the Power Cables

Use the power cables shipped with the array to connect each power supply and cooling module to separate sources of power, if possible. Use the hook and loop fastener to secure the power cables to the power supply modules so they cannot be pulled out accidentally.

See the *Installation and Setup* manual for more information.

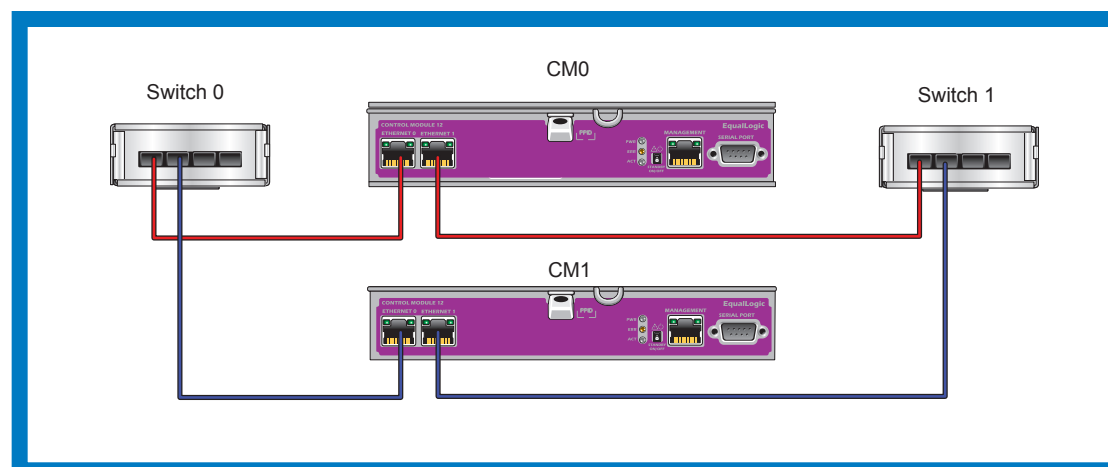
If the array was not shipped with power cables, see your PS Series support provider or reseller for power cable information.



## 5

### Connect the Array to the Network

**Recommended Configuration:** For high performance and availability, connect network cables to all the network interfaces and distribute the connections across multiple network switches. The switches must be connected with interswitch links that have sufficient bandwidth.



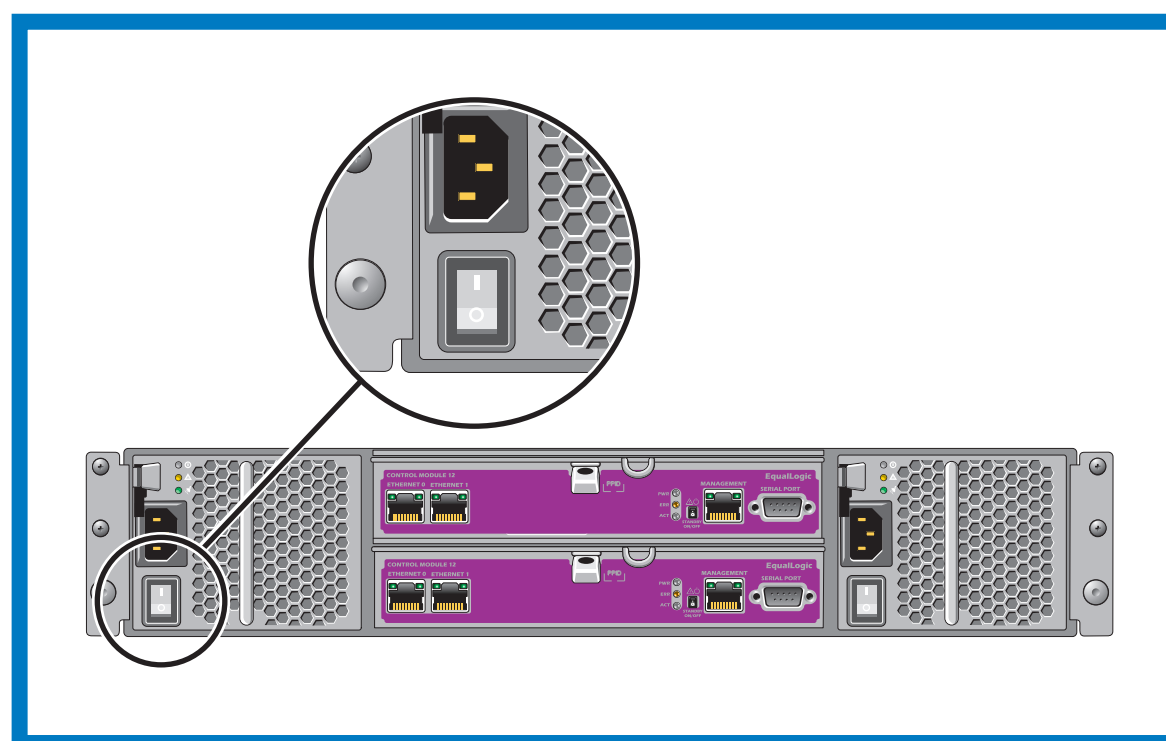
## 6

### Turn on Power to the Array

Before turning on power, allow enough time for the array to adjust to ambient temperature and humidity (for example, overnight).

The power switch on each power supply module is located below the power plug. The switch is oriented vertically. Turn on power to both power supply modules (in any order).

Note: Batteries will start to charge and some hardware components may start to synchronize when power is turned on. Array LEDs will indicate this normal activity.



### Hardware Installation is Complete.

See the *Installation and Setup* guide to configure the array software.

Information in this document is subject to change without notice.

Reproduction in any manner whatsoever without the written permission of Dell EqualLogic is strictly forbidden. The Dell EqualLogic logo is a trademark of Dell, Inc. Copyright 2011 Dell, Inc. All rights reserved.

#### Notes, Cautions, and Warnings

A **NOTE** indicates important information that helps you make better use of your computer.  
⚠ A **CAUTION** indicates potential damage to hardware or loss of data if instructions are not followed.  
⚠ A **WARNING** indicates a potential for property damage, personal injury, or death.

Printed in U.S.A.  
Printed on recycled paper.  
R5DM1 rev.A00



0R5DM1A00

## Free Manuals Download Website

<http://myh66.com>

<http://usermanuals.us>

<http://www.somanuals.com>

<http://www.4manuals.cc>

<http://www.manual-lib.com>

<http://www.404manual.com>

<http://www.luxmanual.com>

<http://aubethermostatmanual.com>

Golf course search by state

<http://golfingnear.com>

Email search by domain

<http://emailbydomain.com>

Auto manuals search

<http://auto.somanuals.com>

TV manuals search

<http://tv.somanuals.com>