

**Installation Instructions
Notice d'installation**



Important Safety Instructions

To avoid possible injury or property damage, OBSERVE ALL WARNINGS AND CAUTIONS.

These instructions are intended for use by qualified installers only. The dishwasher must be installed by a qualified service technician or installer.

- In addition to these instructions, the dishwasher shall be installed to meet all electrical and plumbing codes and ordinances (both national and local).

Read these installation instructions completely and follow them carefully. They will save you time and effort and help to ensure safety and optimum dishwasher performance.

IMPORTANT

- The dishwasher drain hose must be installed with a portion of it at least 20" (508 mm) off the cabinet floor; otherwise the dishwasher may not drain properly.
- This dishwasher is intended for indoor residential use only, and should not be used in commercial food service establishments.
- NEW INSTALLATION - If the dishwasher is a new installation, most of the work must be done before the dishwasher is moved into place.
- REPLACEMENT - If the dishwasher is replacing another dishwasher, check the existing dishwasher connections for compatibility with the new dishwasher, and replace parts as necessary.
- This appliance has been found to be in compliance with CAN/CSA-C22.2 No. 167/UL 749. It is the responsibility of the owner and the installer to determine if additional requirements and standards apply in specific installations.
- Not for outdoor use.

Inspect the Dishwasher

After unpacking the dishwasher and prior to installation, thoroughly inspect the dishwasher for possible freight or cosmetic damage. Report any damage immediately. Cosmetic defects must be reported within 30 days of installation.

NOTE: Do not discard any bags or items that come with the original package until after the entire installation has been completed.



WARNING

Avoiding General Hazards



Do not use the dishwasher until it is completely installed. When opening the door on an uninstalled dishwasher, carefully open the door while supporting the rear of the unit. Failure to follow this warning can cause the dishwasher to tip over and result in serious injury.

Before installing the “L”-shaped supplied countertop mounting brackets (select models), decide which method will be used to secure the dishwasher into its opening. Once these mounting brackets are installed on the dishwasher, removing them is difficult and will damage the mounting brackets and the dishwasher.

In some conditions, hydrogen gas can form in a hot water system that has not been used for weeks. Hydrogen gas is explosive.

Before filling a dishwasher from a system that has been off for weeks, run the water from a nearby faucet in a well ventilated area until there is no sound or evidence of gas.

Temperatures required for soldering and sweating will damage the dishwasher’s base and water inlet valve. If plumbing lines are to be soldered or sweated, keep the heat source at least 6” (152.4 mm) away from the dishwasher’s base and water inlet valve.

Removing any cover or pulling the dishwasher from the cabinet can expose hot water connections, electrical power and sharp edges or points. Handle with care.

Avoiding Electrical Shock/Fire Hazards



Do not allow the electrical and water supply lines to touch. Separate channels are provided under the dishwasher.

Do not work on an energized circuit. Doing so could result in serious injury or death. Only qualified electricians should perform electrical work. Do not attempt any work on the dishwasher electric supply circuit until you are certain the circuit is de-energized.

Make sure electrical work is properly installed. There should be no loose electrical connections. Ensure all electrical connections are properly made.

The customer has the responsibility of ensuring that the dishwasher electrical installation is in compliance with all national and local electrical codes and ordinances. The dishwasher is designed for an electrical supply of 120V, 60 Hz, AC, connected to a dishwasher-dedicated, properly grounded electrical circuit with a fuse or breaker rated for 15 amps. Electrical supply conductors shall be a minimum #14 AWG copper only wire rated at 75°C (167°F) or higher.

This appliance must be connected to a grounded metal, permanent wiring system, or an equipment-grounding conductor must be run with the circuit conductors and connected to the equipment-grounding terminal or lead on the appliance. Do not use extension cords.

Avoiding Electrical Shock/Fire Hazards



Do not perform any work on a charged hot water line. Serious injury could result. Only qualified plumber should perform plumbing work. Do not attempt any work on the dishwasher hot water supply plumbing until you are certain the hot water supply is shut off.

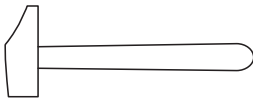
Do not over tighten the 90° elbow. Doing so may damage the water inlet valve and cause a water leak.

Temperatures required for soldering and sweating will damage the dishwasher’s water inlet valve. If plumbing lines are to be soldered or sweated, keep the heat source at least 6” (152.4 mm) away from the dishwasher’s water inlet valve.

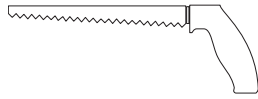
Check local plumbing codes for approved plumbing procedures and accessories. All plumbing should be done in accordance with national and local codes.

These instructions depict an installation method for stainless steel braided hose or PEX hot water supply lines. If using copper tubing or other material for water supply, defer to a licensed plumber for proper installation.

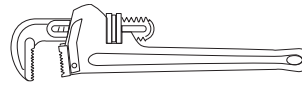
Tools and Materials Needed



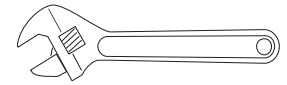
Hammer



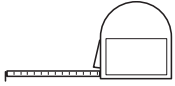
Hole Saw



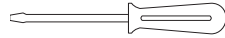
Pipe Wrench



Adjustable Wrench



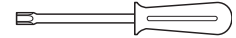
Tape Measure



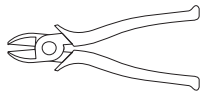
Slot Screwdriver



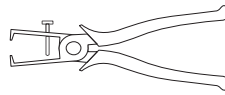
Phillips Screwdriver



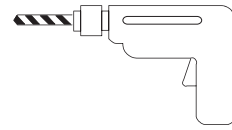
Torx T-20 Screwdriver



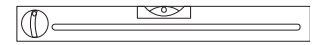
Wire Cutter





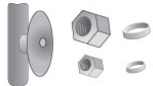
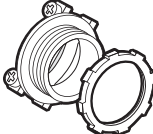
Wire Stripper



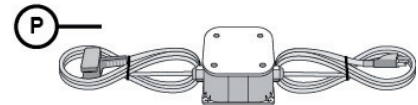
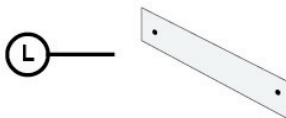
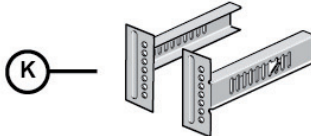
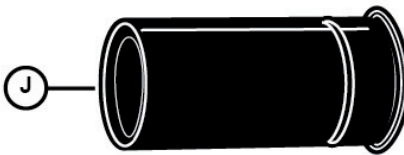
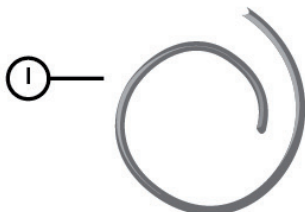
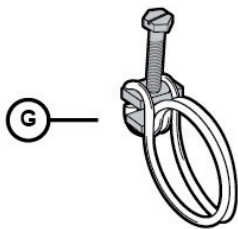
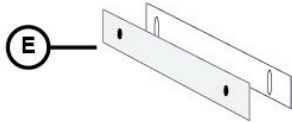
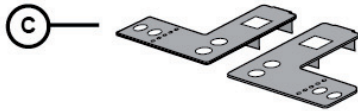
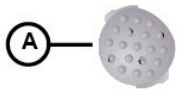
Ø 2 mm (1/16 in) Drill



Level

	<p>Electrical Supply Cable - Minimum #14 AWG, 2 conductor, 1 ground, insulated copper conductors rated 75°C or higher</p>
	<p>Hot Water Supply Line - Minimum 3/8" O.D. copper tubing or metal braided dishwasher supply line</p>
	<p>Shut-off valve and fittings appropriate for hot water supply line (copper tubing/compression fitting, or braided hose)</p>
	<p>UL listed conduit connector or strain relief is required if you attach the field wiring directly to the terminal block</p>

Materials Supplied



A	Extra Tall Item Sprinkler (See Use and Care Manual)
B	Toe Panel Screws
C	Mounting Brackets
D	Mounting Bracket Screws
E	Toe Panel (2 pieces)
F	Toe Panel caps and screws (select models only)
G	Screw Clamp (for hose)
H	Water Supply Adaptor Fitting
I	Flexible Edge Protector Grommet for electrical wire
J	Rubber Drain Hose Adaptor
K	Toe Panel Mounting Brackets (select models only)
L	Outer toe panel (3rd piece) (select models only)
M	Side Mount Force Distributor (Alternate Side Mount only)
N	Mounting Bracket Screws (Alternate Side Mount only)
O	Installation Guide for Fully Integrated Door Panel (select models only)
P	Junction Box
Q	Wrench (wrench size 13)

Enclosure Requirements

! WARNING

Avoid Scalding or Electrical Shock Hazard!
Make sure the water supply and electrical supply are shut off before installation or service.

NOTE: This dishwasher is designed to be enclosed on the top and both sides by standard residential kitchen cabinetry.

Select a location as close to the sink as possible for easy access to water supply and drain lines.

For proper dishwasher operation and appearance, ensure that the enclosure is square and has the dimensions shown in **Figure 1**.

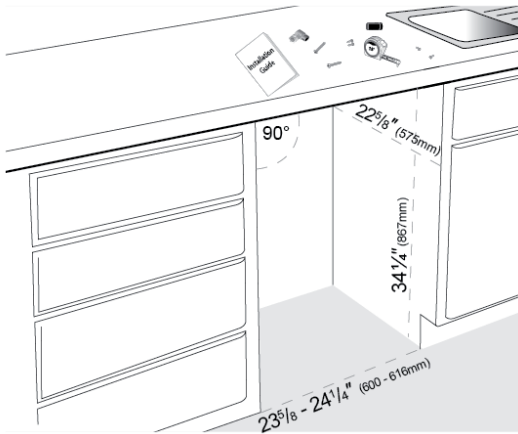


Figure 1

NOTE: If your dishwasher opening width measures >23^{5/8}" (600 mm) use the TOP or SIDE MOUNT mounting methods.

If your dishwasher opening width measures 23^{5/8}" (600 mm) use the ALTERNATE SIDE MOUNT mounting method.

If the dishwasher is to be installed in a corner, make sure that there is adequate clearance to open the door. See **Figure 2**.

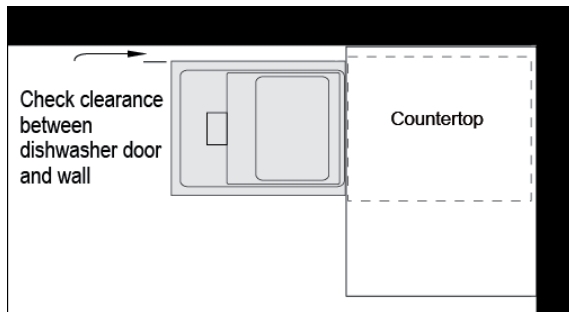


Figure 2

! WARNING

Avoid Electrical Shock/Fire Hazard!
Do not allow the electrical and water supply lines to touch.

After locating the proper place for your new dishwasher, you will need to create any required openings to allow for passage of the water, drain and electrical line. In order to avoid interference with the dishwasher when sliding it into the cabinet, place your openings within the dimensions shown in **Figure 3**.

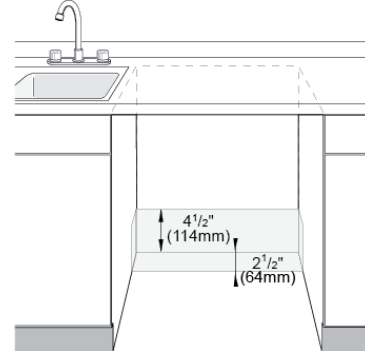


Figure 3

Required Openings:

4^{3/4}" x 2^{3/8}" (120 x 60 mm) - To pass the included electrical supply junction box through to adjacent cabinet.

Note: If the incoming electric supply, water supply and drain connections are all in the same cabinet, the one 4^{3/4}" x 2^{3/8}" (120 x 60 mm) hole will be large enough for all three to pass through.

4" x 2" (100 x 50 mm) - To pass the included water supply line toward the water supply.

1^{1/4}" (32 mm) diameter - To pass the dishwasher drain hose toward the drain connection.

Before sliding the dishwasher into the cabinet, remove the hose clip at the back of the dishwasher as shown in **Figure 4**. The hose clip may be used later to hold the drain hose as shown in **Figure 10**.

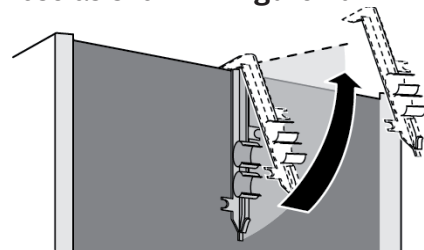


Figure 4

In select models, remove the rubber apron on top of the dishwasher and set aside for later use (**Figure 5**).

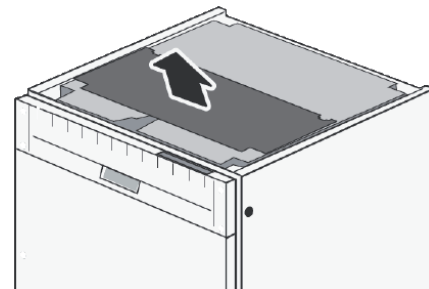


Figure 5

Electrical Preparation

! WARNING

Avoid Electrical Shock Hazard!

Do not work on an energized circuit. Doing so could result in serious injury or death. Only qualified electricians should perform electrical work. Do not attempt any work on the dishwasher electric supply circuit until you are certain the circuit is de-energized.

! WARNING

Avoid Fire Hazard!

Make sure electrical work is properly installed. Only qualified electricians should perform electrical work.

Electrical Supply

The customer has the responsibility of ensuring that the dishwasher electrical installation is in compliance with all national and local electrical codes and ordinances. The dishwasher is designed for an electrical supply of 120V, 60 Hz, AC, connected to a dishwasher-dedicated, properly grounded electrical circuit with a fuse or breaker rated for 15 amps. Electrical supply conductors shall be a minimum #14 AWG copper wire rated at 75°C (167°F) or higher.

! WARNING

Avoid Fire Hazard!

Make sure there are no loose electrical connections. Make sure all electrical connections are properly made.

Grounding Instructions

The dishwasher must be properly grounded before operating. This appliance must be connected to a grounded metal permanent wiring system or an equipment grounding conductor must be run with the circuit conductors and connected to the equipment grounding terminal or lead on the dishwasher. Make sure that the dishwasher is connected to a suitable ground in compliance with all local codes or, in the absence of a local code, with the NATIONAL ELECTRICAL CODE in the United States or the CANADIAN ELECTRIC CODE C22.1-latest edition in Canada as well as any provincial/state or municipal or local codes that apply.

Dishwasher Electrical Rating

Volts	Hertz	Amperes	Watts
120	60	12	1,300 (max)

Electrical Connection

The dishwasher electrical supply junction box (P) and dedicated receptacle must be mounted in an accessible cabinet adjacent to the dishwasher (do not mount the junction box or receptacle behind the dishwasher). You will need a 4^{3/4"} x 2^{3/8"} (120 x 60 mm) opening through the cabinet in order to pass the junction box through (see **Figure 6**). If the opening is made through wood, sand it smooth. If the opening is made through metal, use the included protective grommet (I) or other approved method to protect wiring from damage. Use the four screws included (or appropriate fastener) in the parts bag to securely mount the junction box so that it can be easily accessed (see **Figure 6**). The electrical supply can be connected in two ways:

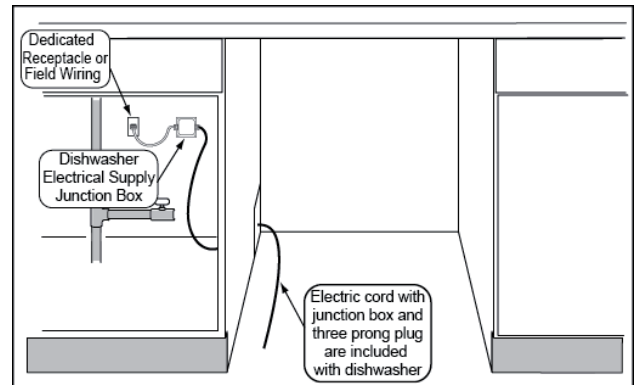


Figure 6

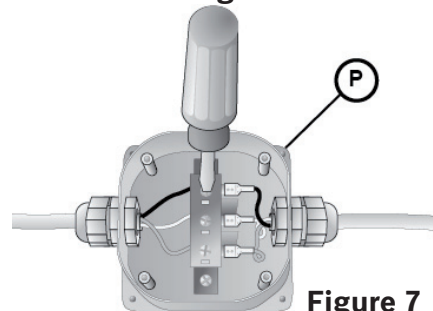
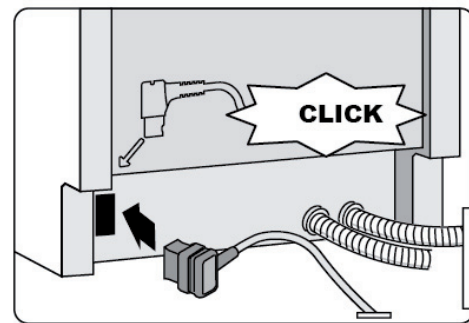


Figure 7



Method A - Three prong plug and receptacle

Use the included three-prong plug and junction box to connect to a dedicated household receptacle. Make sure the household receptacle meets the electrical supply requirements as well as national and local codes.

Method B - To permanently connect to household or field wiring

1. Remove the dishwasher electrical supply junction box cover and connect to the power supply cord from the house installation (see **Figure 7**).
2. Remove 2" to 3" (51 - 76 mm) of the outer casing of the household or field supply wiring as shown in **Figure 8**. Remove 3/8" to 1/2" (10 - 13 mm) of the insulation from each wire as shown in **Figure 8**.

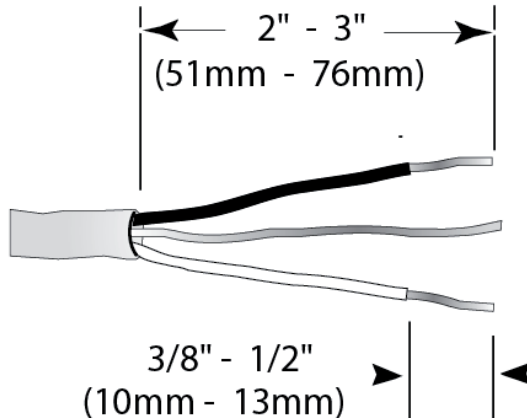


Figure 8

3. Insert the bare copper or green wire (ground) to the "G" ground connection "⏏" of the terminal block and securely tighten the terminal block screw (see **Figure 7**).
4. Insert the white (neutral) wire to the "N" connection of the terminal block and securely tighten the terminal block screw.
5. Insert the black (hot) wire to the "L" connection of the terminal block and securely tighten the terminal block screw.
6. Check all electrical connections to make sure they are secure and then attach the junction box cover with the 4 screws.

! WARNING

Avoid Electrical Shock Hazard!

To avoid possible injury or property damage, care should be exercised when the dishwasher is installed or removed to reduce the likelihood of damage to the power cord.

Inlet Water Connections

Hot Water Supply

The hot water heater should be set to deliver approximately 120° F (49° C) water to the dishwasher. Water that is too hot can cause some detergents to lose effectiveness. Lower water temperatures will increase run times. The hot water supply pressure must be between 15 - 145 psi (1 - 10 bar).

IMPORTANT NOTES:

- If using a solder joint instead of a compression fitting, be sure to make all solder connections before connecting the water supply line to the dishwasher.
- Make sure there are no sharp bends or kinks in the water line that might restrict water flow.
- Always use the appropriate seal when making plumbing connections.
- Before connecting the water supply line to the dishwasher, flush the incoming water line for approximately 5 minutes to clear any foreign material.
- Turn on the water supply and check for leaks after connections are made.



WARNING

Avoid Scald Hazard!

Do not perform any work on a charged hot water line. Serious injury could result. Only qualified plumbers should perform plumbing work. Do not attempt any work on the dishwasher hot water supply plumbing until you are certain the hot water supply is shut off.

CAUTION

Temperatures required for soldering and sweating will damage the dishwasher. If plumbing lines are to be soldered or sweated, keep the heat source at least 6 inches (152.4 mm) away from the dishwasher.

Water Supply Shut Off Valve

Install an easily accessible shut-off valve (not supplied) in the hot water supply line, as shown in **Figure 9**. All solder connections must be made before the water line is connected to the dishwasher.

Connecting the Hot Water Supply

There are two plastic corrugated hoses that exit the back of the dishwasher. The larger hose, with the brass fitting on the end, is the water supply hose to the dishwasher (the other hose is the dishwasher drain hose). You will need a 3" x 1 3/4" (76 x 45 mm) opening through the cabinet to pass the dishwasher water supply line through toward the shut off valve.

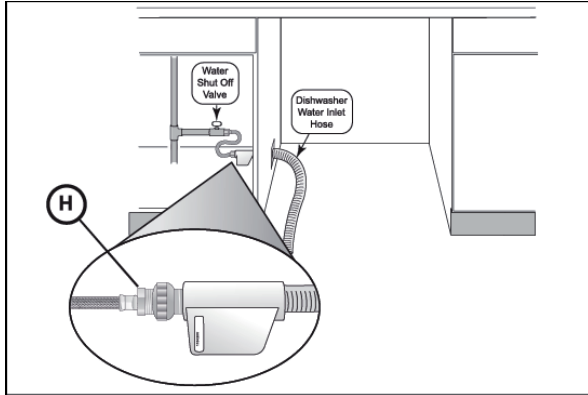


Figure 9

To connect the hot water supply:

1. Assemble the water supply adaptor fitting (H) from the parts bag onto the dishwasher water supply hose. This connection does not require Teflon brand tape
2. Pass the dishwasher water supply line with attached adaptor through the opening toward the water shut off valve. Take care not to allow the hose to kink or twist behind the dishwasher.
3. Connect the dishwasher water supply line with adaptor to the water shut off valve. You will need to use an approved dishwasher water supply line with the correct fittings for this connection. Always use the appropriate seal when making plumbing connections.

NOTE: The end of the dishwasher water inlet hose is heavy and will need to be supported. It is best to lay the end on the cabinet floor as shown in Figure 9.

4. After all connections are made, turn on the hot water and check for leaks.

IMPORTANT NOTES:

- If local ordinance require an air gap, install it according to the manufacturer's instructions.
- If the dishwasher drain hose is to be connected to a disposer dishwasher drain connection, remove the plug from the disposer's dishwasher drain connection.
- The dishwasher drain hose must have one place along its length that is securely attached 20" (508 mm) above the cabinet floor.
- The drain hose length can be extended if necessary. The maximum length of the drain hose, including the hose leading to the air gap, is 150" (3800 mm).

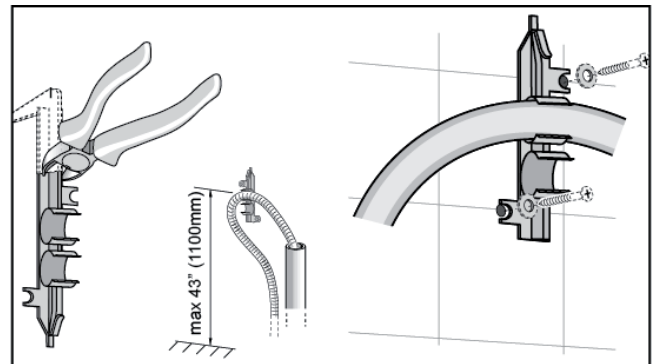


Figure 10

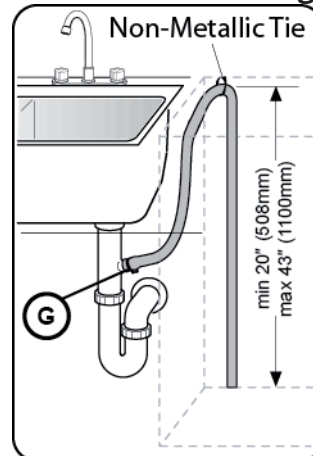


Figure 11

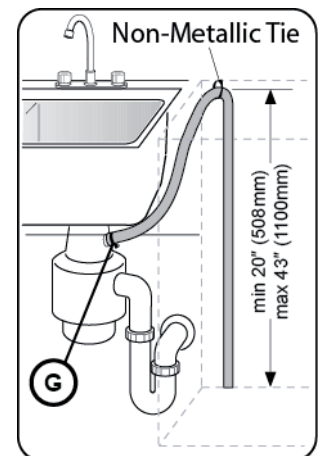


Figure 12

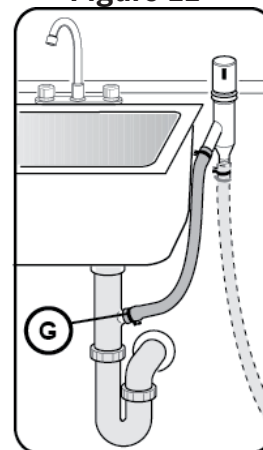


Figure 13

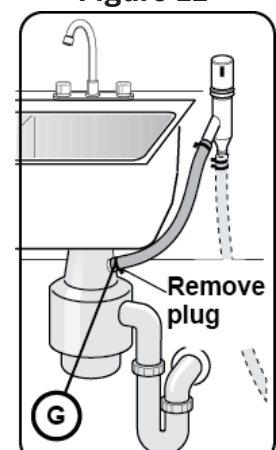


Figure 14

Drain Connections

The dishwasher drain hose may be connected to the household or field drain plumbing in one of four ways. You will need a 1 1/4" diameter hole in order to pass the drain hose through the cabinet.

1. Directly under the sink dishwasher drain connection, as shown in Figure 11.
2. Directly to a disposer dishwasher drain connection, as shown in Figure 12.
3. To the under sink dishwasher drain connection through an air gap, as shown in Figure 13.
4. To a disposer dishwasher drain connection through an air gap, as shown on Figure 14.

Installation of Rubber Drain Hose Adaptor

For a large port, use the drain hose as it is.

1. For a small port, insert the rubber drain hose adaptor into the drain hose end.
2. Obtain the Rubber Drain Hose Adaptor (J) spring clamp from the Dishwasher Installation Kit (**do not substitute**).
3. Insert the dishwasher drain hose into the end of the drain hose (see **Figure 15**). Be sure to fully insert the drain hose.
4. Use the clamp provided to attach the Rubber Drain Hose Adaptor to the house plumbing as shown in **Figure 16**.

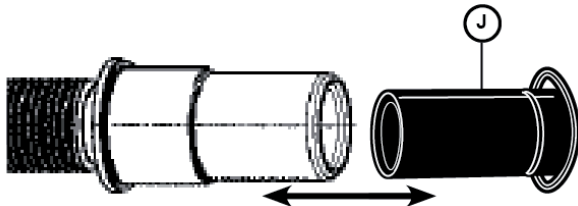


Figure 15

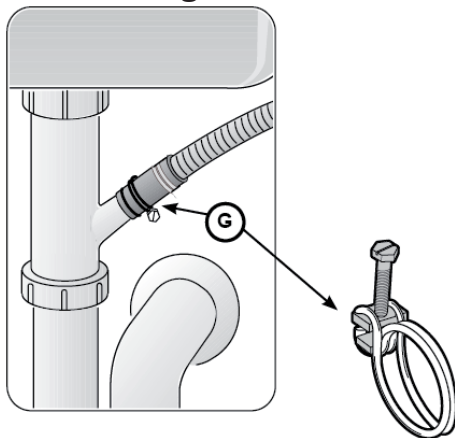


Figure 16

Installation of Mounting Brackets

CAUTION

Before installing the supplied countertop mounting brackets, decide which method of securing the dishwasher into its enclosure will be used. Once the mounting brackets are installed on the dishwasher, removing them is difficult and will damage the mounting brackets and the dishwasher.

The dishwasher can be secured into its enclosure in 3 ways:

NOTE: If your dishwasher opening width measures > 23^{5/8}" (600mm) use the TOP or SIDE MOUNT mounting methods. If your dishwasher opening width measures 23^{5/8}" (600 mm) use the ALTERNATE SIDE MOUNT mounting method.

Top Mount is used for countertops made of wood or other materials that can be easily drilled. Orient the mounting brackets as shown in **Figure 17**, and position the two small tabs on the mounting brackets over the two slots on the dishwasher's front corners. Push the mounting brackets down firmly to insert the tabs into the slots.

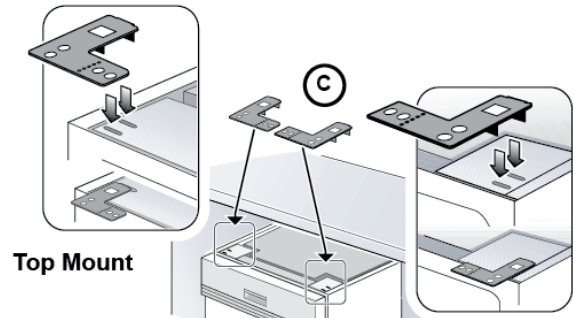


Figure 17

Side Mount is used for countertops made of marble, granite, or other very hard materials that cannot be easily drilled. Bend the mounting brackets along the small holes and in the same direction as the two small tabs. Orient the mounting brackets as shown in **Figure 18**, and position the two small tabs on the mounting brackets over the two slots on the dishwasher's front corners. Push the mounting brackets down firmly to insert the tabs into the slots. Bend perforated edge down as shown.

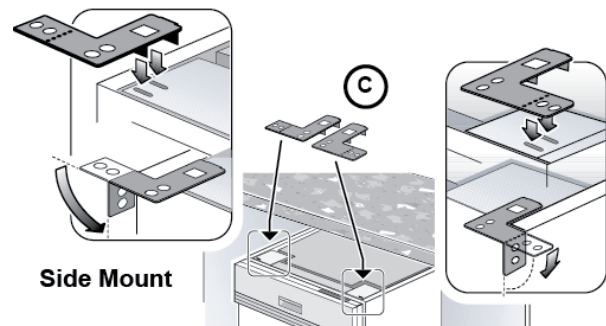


Figure 18

Alternate Side Mount for opening 23^{5/8}" (600 mm). Insert a side mount force distributor (M) in each side as shown in **Figure 19**.

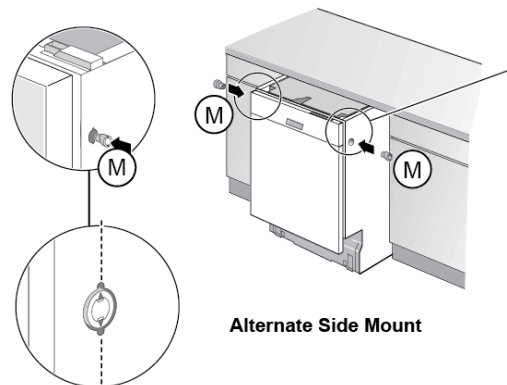


Figure 19

! WARNING

Avoid Tip Over Hazard!

Do not use the dishwasher until it is completely installed.
When opening the door on an uninstalled dishwasher, carefully open the door while supporting the rear of the unit. Failure to follow this warning can result in serious injury.

LEVELING THE DISHWASHER

The unit should now be ready to slide into the cabinet opening. To avoid scratching the floor, use floor protection and caution when sliding the dishwasher into the cabinet. Make sure that the hoses and cords do not bunch up behind the unit or kink as you slide the unit back. Make certain to slide the unit into place before raising the leg levelers. Level the dishwasher horizontally by turning feet clockwise to raise or counter-clockwise to lower front of the unit. Level the dishwasher vertically by turning center screw to raise or lower the back.

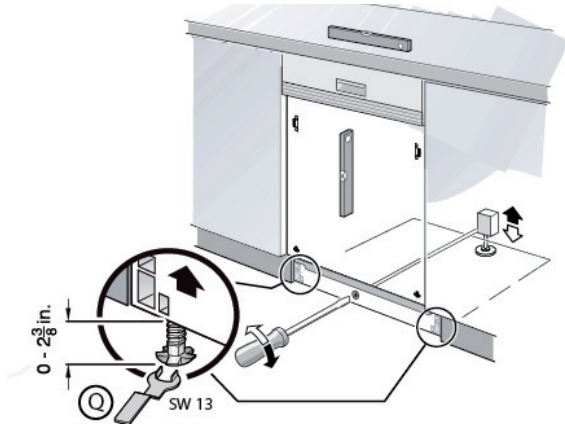


Figure 20

SECURING THE DISHWASHER

Center the dishwasher in the opening before securing it to your cabinet or countertop as shown in **Figure 21**. Remove the top cutlery rack as shown in **Figure 22**.

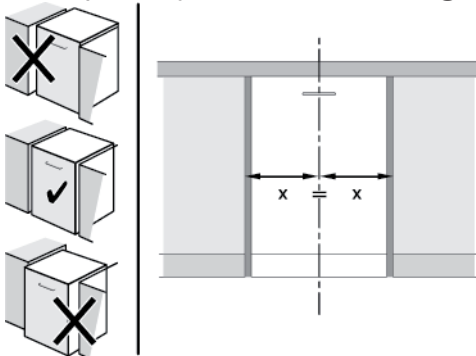


Figure 21

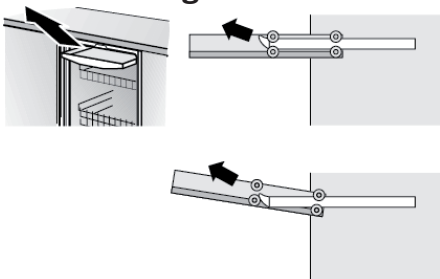
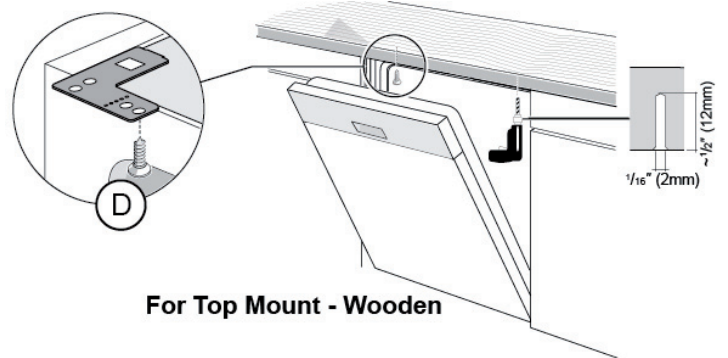


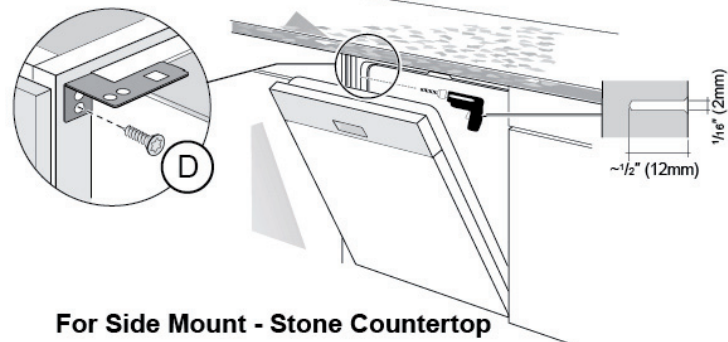
Figure 22

Drive the mounting screws through the holes in the mounting brackets as shown for Top (**Figure 23**), Side Mount (**Figure 24**) and Alternate Side Mount (**Figure 25**).

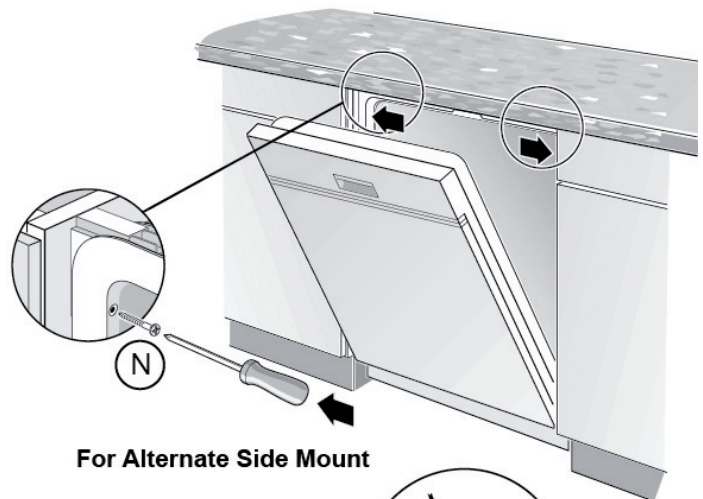


For Top Mount - Wooden

Figure 23



For Side Mount - Stone Countertop
Figure 24



For Alternate Side Mount

Figure 25

Attaching the Toe Panel

Your dishwasher comes with either a two-piece or three-piece toe panel (model dependent) to allow height adjustment.

1. Position the slotted rear toe panel on the dishwasher first. Allow it to rest on the floor.
2. Position the mating front toe panel on top of the rear toe panel allowing the angled edge to rest on the mating edge of the dishwasher.
3. Drive the two black screws (B) through the holes in the toe panel to secure. Use the supplied screws to avoid damaging the dishwasher. See **Figure 26**.
4. For models with a three-piece toe panel, the rubber apron removed earlier may now be attached and should remain behind the outermost toe panel.
5. For models with outer toe panel (3rd piece - L) slide the brackets (K) provided, into the slots of the toe panel you just attached.
6. Once you determine the correct position for the brackets, remove the bracket and bend the metal tab. See **Figure 27**. This ensures that the toe panel will not slide in further than you need.
7. Re-insert the brackets.
8. Attach the outer toe panel (L) onto the brackets and drive the screws provided in place to secure the toe panel ensuring that the rubber apron is completely hidden behind the outer toe panel.

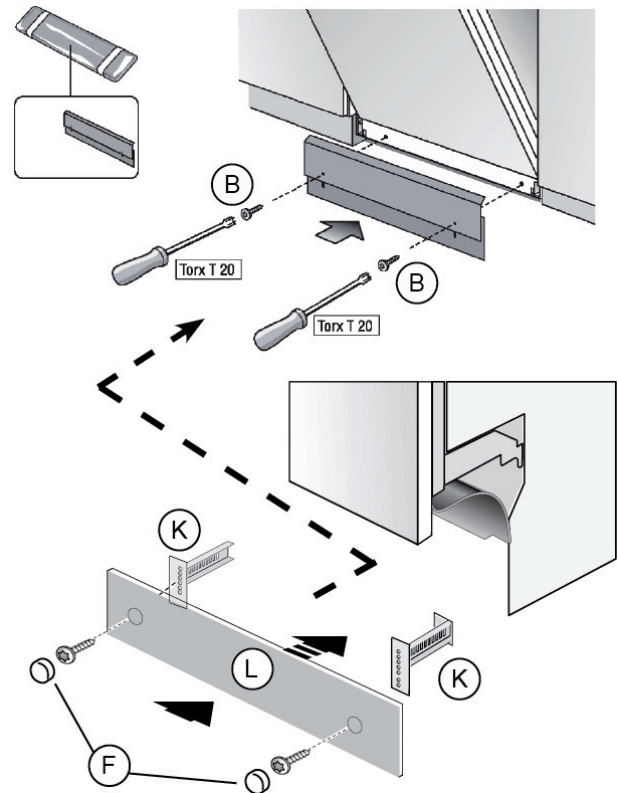


Figure 26

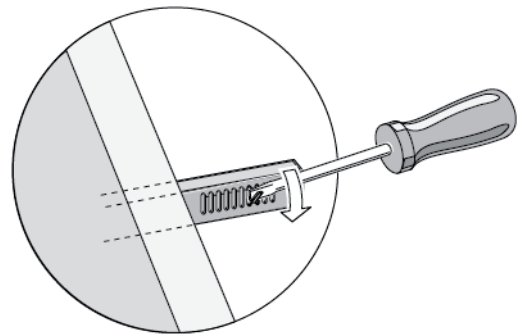


Figure 27

Customer Service

Your dishwasher requires no special care other than that described in the Care and Maintenance section of the Use and Care Manual. If you are having a problem with your dishwasher, before calling for service please refer to the Self Help section in the Use and Care Manual. If service is necessary, contact your dealer or installer or an authorized service center.

Do not attempt to repair the appliance yourself. Any work performed by unauthorized personnel may void the warranty. If you are having a problem with your dishwasher and are not pleased with the service you have received, please take the following steps (in the order listed below) until the problem is corrected to your satisfaction:

1. Contact your installer or the Authorized Service Contractor in your area.
2. E-mail us. See your Use and Care Manual for instructions.
3. Write us at the address below:
BSH Home Appliances Corporation
1901 Main Street
Irvine, CA 92614
4. Call us at the Customer Service phone number:
1-800-944-2904

Please be sure to include (if you are writing), or have available (if you are calling), the following information:

- Model number
- Serial number
- Date of original purchase
- Date the problem originated
- Explanation of the problem
- Daytime phone number where you can be reached.

Please make a copy of your invoice and keep it with this manual. The customer must show proof of purchase to obtain warranty service.



Consignes de sécurité importantes

Afin d'éviter toute possibilité de blessures ou de dommages matériels **VEUILLEZ OBSERVER TOUS LES AVERTISSEMENTS ET PRÉCAUTIONS.**

Ces instructions sont destinées uniquement à l'usage des installateurs qualifiés. L'installation du lave-vaisselle doit être effectuée par un technicien de maintenance ou un installateur qualifié.

- Outre ces instructions, l'installation du lave-linge doit être effectuée conformément à tous les codes et ordonnances nationaux et locaux en matière d'électricité et de plomberie.

Lire cette notice d'installation entièrement et s'y conformer scrupuleusement. Cette notice vous permettra d'économiser du temps et des efforts et vous aidera à assurer la sécurité et l'efficacité optimale de votre lave-vaisselle.

IMPORTANT

- Le tuyau de vidange du lave-vaisselle doit être installé de façon à ce qu'une partie du tuyau soit à 20 pouces (508 mm) minimum au-dessus du plancher de l'armoire ; autrement, le lave-vaisselle risque de ne pas se vidanger correctement.
- Ce lave-vaisselle est destiné à un usage domestique uniquement et ne doit pas être utilisé par des établissements de service alimentaire commerciaux.
- **NOUVELLE INSTALLATION** - Si le lave-vaisselle est installé pour la première fois, la plupart des travaux d'installation doivent être réalisés avant que l'appareil ne soit mis en place.
- **REMPACEMENT** - Si le lave-vaisselle est installé en remplacement d'un autre, vérifier les raccordements du lave-vaisselle existant pour vous assurer qu'ils sont compatibles à ceux du nouveau lave-vaisselle, et remplacer les pièces qui doivent l'être.

- Cet appareil a été trouvé conforme à la norme CAN/CSA-C22.2 n° 167/UL 749. Le propriétaire et l'installateur ont la responsabilité de déterminer si des exigences et normes supplémentaires s'appliquent à des installations spécifiques.
- Non pour l'usage en extérieur.

Inspection du lave-vaisselle

Après avoir déballé le lave-vaisselle et avant son installation, examinez-le attentivement pour déceler d'éventuels dégâts esthétiques ou liés au transport.

Signaler immédiatement tout dégât.

Les défauts esthétiques doivent être signalés dans un délai de 30 jours à compter de l'installation.

REMARQUE : ne pas jeter les sacs ou les éléments contenus dans l'emballage d'origine avant d'avoir complètement terminé l'installation du lave-vaisselle.



AVERTISSEMENT

Prévention des dangers d'ordre général



Ne pas utiliser le lave-vaisselle tant que l'installation n'est pas complètement terminée. Pour ouvrir la porte d'un lave-vaisselle dont l'installation n'est pas terminée, agir avec prudence et en soutenant la partie arrière de l'appareil. Le non respect de cet avertissement peut entraîner le basculement du lave-vaisselle et provoquer de graves blessures.

Avant d'installer les pattes de fixation pour comptoir en « L » (certains modèles) fournies, déterminer la méthode à utiliser pour fixer solidement le lave-vaisselle dans l'ouverture. Une fois les pattes de fixation installées sur le lave-vaisselle, il sera difficile de les retirer sans les abîmer ainsi que le lave-vaisselle.

Sous certaines conditions, un chauffe-eau peut produire de l'hydrogène s'il n'a pas été utilisé pendant plusieurs semaines. L'hydrogène est un gaz explosif.

Avant de remplir un lave-vaisselle en utilisant de l'eau fournie par un chauffe-eau qui n'a pas fonctionné pendant plusieurs semaines, faites couler l'eau d'un robinet situé à proximité, dans un endroit bien aéré, jusqu'à ce qu'il n'y ait plus de bruit et qu'aucun dégagement de gaz ne se manifeste de façon visible.

Les températures nécessaires pour souder et exsuder risquent d'endommager la base et le robinet d'arrivée d'eau du lave-vaisselle. Si certains tuyaux doivent être soudés ou exsudés, maintenir la source de chaleur au à 6 pouces (152,4 mm) minimum de distance de la base et du robinet d'arrivée d'eau du lave-vaisselle.

Le retrait d'une paroi ou le fait de tirer le lave-vaisselle hors de son encastrement peut exposer les conduites d'eau chaude, l'alimentation électrique et certains rebords et angles tranchants. Effectuer ces manœuvres avec prudence.

Prévention des dangers de choc électrique et d'incendie



Les câbles électriques et les tuyaux d'alimentation d'eau ne doivent pas entrer en contact les uns avec les autres. Des canaux indépendants sont prévus à cet effet sous le lave-vaisselle.

Ne pas tenter d'intervenir sur un circuit sous tension. Vous risquez autrement des blessures graves, voire la mort. Seuls les électriciens qualifiés doivent effectuer des travaux sur l'installation électrique. Ne pas tenter d'intervenir sur le circuit électrique du lave-vaisselle à moins d'être certain que celui-ci est hors tension.

Vérifier que l'installation électrique est correctement réalisée. Il ne doit y avoir aucun raccordement électri-

que lâche. Vérifier que tous les branchements électriques sont correctement effectués.

Le client a la responsabilité de vérifier que l'installation électrique du lave-vaisselle est conforme à tous les codes et ordonnances électriques nationaux et locaux. Le lave-vaisselle a été conçu pour fonctionner avec une alimentation électrique en courant alternatif de 120 volts, 60 Hz, connectée à un circuit électrique correctement mis à la terre, adapté au lave-vaisselle, avec protection par fusible ou disjoncteur d'une puissance de 15 ampères. Les conducteurs d'alimentation électrique doivent être uniquement en fil de cuivre de calibre 14AWG minimum pour une température nominale de 75°C (167°F) ou plus.

Cet appareil doit être raccordé à un système de câblage en métal permanent mis à la terre ou un conducteur de terre de l'appareil doit être utilisé avec les conducteurs de circuit et raccordé à la borne ou au fil de terre du lave-vaisselle. Ne pas utiliser de rallonge.

Prévention des dangers d'ébouillantage et liés aux travaux de plomberie



Ne pas tenter de travailler sur une conduite d'eau chaude chargée. De graves blessures pourraient survenir. Seuls les plombiers qualifiés doivent effectuer des travaux sur la tuyauterie. Ne pas tenter d'intervenir sur la tuyauterie d'alimentation d'eau chaude du lave-vaisselle tant que vous n'êtes pas certain que l'alimentation d'eau chaude est coupée.

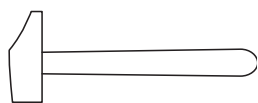
Ne pas serrer le raccord coudé à 90° à l'excès. Vous risquez en effet d'endommager le robinet d'arrivée d'eau et de provoquer une fuite.

Les températures requises pour les opérations de soudure et d'exsudation risquent d'endommager le robinet d'arrivée d'eau du lave-vaisselle. Si certains tuyaux doivent être soudés ou exsudés, maintenir la source de chaleur à 6 pouces (152,4 mm) minimum de distance du robinet d'arrivée d'eau du lave-vaisselle.

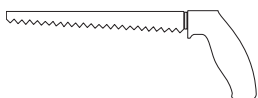
Consulter les codes de plomberie locaux pour connaître les procédures et accessoires de plomberie approuvés. Tous les travaux de plomberie doivent être réalisés conformément aux codes nationaux et locaux.

Ces instructions décrivent la méthode d'installation des flexibles stressés en acier inoxydable ou des conduites d'eau chaude en polyéthylène réticulé. Si vous utilisez des tubes en cuivre ou d'un matériau différent pour l'alimentation en eau, faire appel à un plombier autorisé afin d'assurer une installation adéquate.

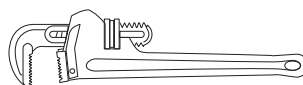
Outils et pièces nécessaires



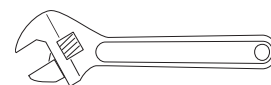
Marteau



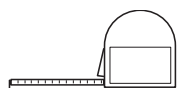
Scie cylindrique



Clé à tube



Clé ajustable



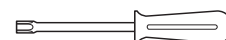
Ruban à mesurer



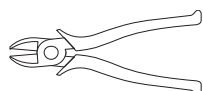
Tournevis à lame plate



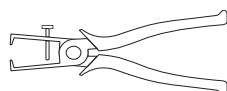
Tournevis cruciforme



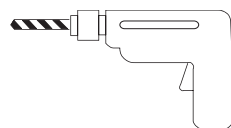
Tournevis T-20



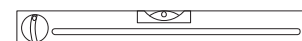
Pince coupante





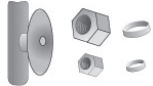

Pince à dénuder



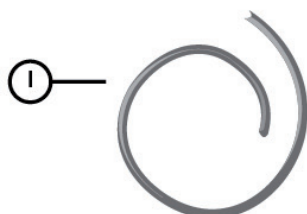
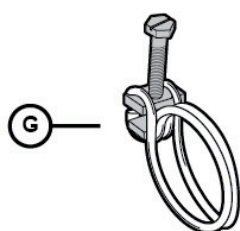
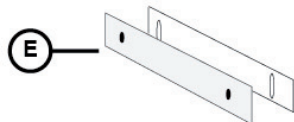
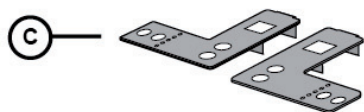
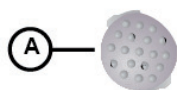
Ø 2 mm (1/16 in)
Perceuse



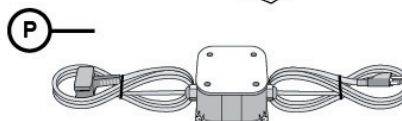
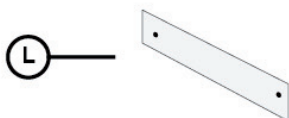
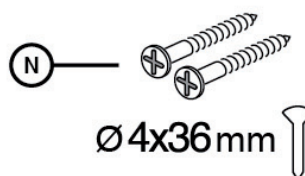
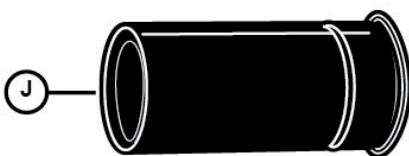
Niveau à bulle

	<p>Câble d'alimentation électrique - calibre de 14 AWG minimum, 2 conducteurs, 1 mise à la terre, conducteurs en cuivre isolé à une température nominale de 75° C ou plus.</p>
	<p>Tuyau d'alimentation d'eau chaude - tube de cuivre de 3/8 po minimum (diamètre extérieur) ou tuyau d'alimentation pour lave-vaisselle en métal tressé.</p>
	<p>Robinet d'arrêt et raccords appropriés pour tuyau d'alimentation d'eau chaude ((tube de cuivre/raccord de compression, ou tuyau tressé).</p>
	<p>Un raccord de conduit ou raccord de retenue homologué UL est requis si le câblage in-situ est directement relié au bornier.</p>

Matériel fourni



A	Gicleur pour grands articles (Voir le Guide d'utilisation et d'entretien)
B	Vis pour panneau de plinthe
C	Pattes de fixation
D	Vis des pattes de fixation
E	Panneau de plinthe (2 pièces)
F	Couvercles pour panneau de plinthe (certains modèles uniquement)
G	Collier à vis (pour flexible)
H	Raccord d'adaptateur d'alimentation d'eau
I	Gaine de protection flexible pour fil électrique
J	Adaptateur de tuyau de vidange en caoutchouc
K	Pattes de fixation du panneau de plinthe (certains modèles uniquement)
L	Panneau de plinthe extérieur (3ème pièce) (certains modèles uniquement)
M	Répartiteur de poussée pour montage latéral (montage latéral alternatif uniquement)
N	Vis des pattes de fixation (montage latéral alternatif uniquement)
O	Guide d'installation pour un panneau de porte pleinement intégré
P	Boîte de jonction
Q	Clé (clé de 13)



Exigences d'encastrement



AVERTISSEMENT

Évitez les brûlures ou les risques de secousse électrique !

S'assurer que l'alimentation d'eau et l'alimentation électrique sont mises à l'arrêt avant toute installation ou réparation.

REMARQUE : ce lave-vaisselle est conçu pour être encastré sous un comptoir et entre deux armoires adjacentes standard d'une cuisine résidentielle.

Choisir un emplacement aussi près que possible de l'évier afin que les tuyaux d'alimentation et d'évacuation d'eau soient facilement accessibles. Pour un fonctionnement adéquat du lave-vaisselle et un aspect esthétique agréable, vérifier que l'encadrement est d'équerre et qu'il a les dimensions indiquées sur la **Figure 1** ci-dessous.

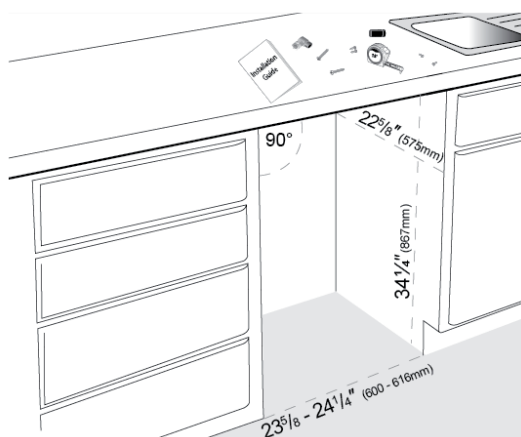


Figure 1

REMARQUE : si la largeur de l'ouverture de votre lave-vaisselle est supérieure à $>23\frac{5}{8}$ " (600 mm) utilisez les méthodes de **MONTAGE PAR LE DESSUS** ou **LATÉRAL**. Si la largeur de l'ouverture de votre lave-vaisselle est inférieure à $23\frac{5}{8}$ " (600 mm) utilisez la méthode de **MONTAGE LATÉRAL ALTERNATIF**.

Si le lave-vaisselle doit être installé dans un coin de la pièce, s'assurer qu'il y a un dégagement suffisant pour ouvrir la porte. Voir la **Figure 2** ci-dessous.

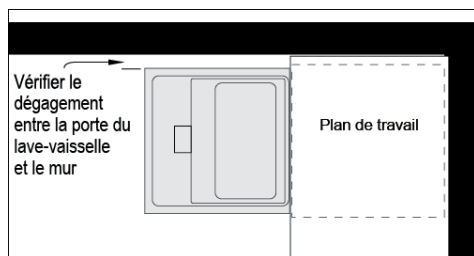


Figure 2



AVERTISSEMENT

Évitez les risques de décharge électrique et d'incendie. Les câbles électriques et les tuyaux d'alimentation d'eau ne doivent pas entrer en contact les uns avec les autres.

Après avoir trouvé l'emplacement adéquat pour installer votre nouveau lave-vaisselle, vous devez prévoir les ouvertures nécessaires pour permettre le passage des conduites d'eau, d'évacuation et d'électricité. Pour éviter toute interférence lors de l'installation du lave-vaisselle dans l'armoire, disposer les ouvertures compte tenu des dimensions indiquées sur la **Figure 3** ci-dessous.

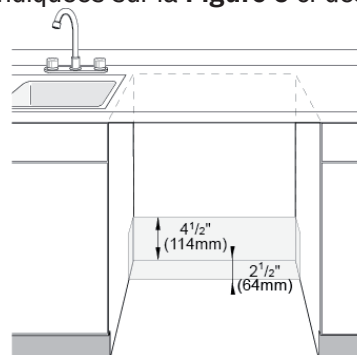


Figure 3

Ouvertures requises :

$4\frac{3}{4}$ " x $2\frac{3}{8}$ " (120 x 60 mm) - Passage du boîtier de raccordement électrique compris à travers une armoire adjacente.

REMARQUE : si les raccordements d'arrivée d'électricité, d'alimentation d'eau et de vidange se trouvent tous dans la même armoire, une ouverture de $4\frac{3}{4}$ " x $2\frac{3}{8}$ " (120 x 60 mm) est suffisante pour recevoir les trois.

4" x 2" (100 x 50 mm) - Passage du tuyau d'alimentation d'eau compris vers l'alimentation d'eau

$1\frac{1}{4}$ " (32 mm) diameter - Passage du tuyau de vidange du lave-vaisselle vers le raccordement de vidange.

Avant d'encastrer le lave-vaisselle dans l'armoire, retirer le collier de serrage à l'arrière du lave-vaisselle comme indiqué (**Figure 4**). Le collier de serrage peut être utilisé ultérieurement pour maintenir le tuyau de vidange en place (**Figure 10**).

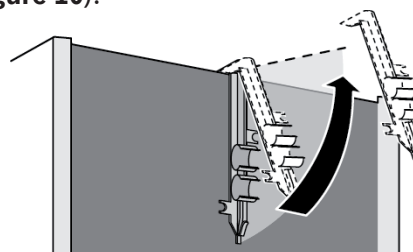


Figure 4

Sur certains modèles, il convient d'enlever le tablier de caoutchouc sur la partie supérieure du lave-vaisselle et de le mettre en réserve pour un usage ultérieur. **Figure 5**.

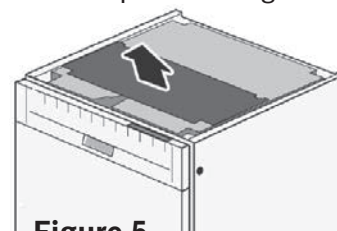


Figure 5

Préparation de l'installation électrique



AVERTISSEMENT

Évitez les risques de décharge électrique et d'incendie. Ne pas tenter d'intervenir sur un circuit sous tension. Vous risquez autrement des blessures graves, voire la mort. Seuls les électriciens qualifiés doivent effectuer des travaux sur l'installation électrique. Ne pas tenter d'intervenir sur le circuit électrique du lave-vaisselle à moins d'être certain que celui-ci est hors tension.



AVERTISSEMENT

Éviter les risques d'incendie

Vérifier que l'installation électrique est correctement réalisée. Seuls les électriciens qualifiés doivent effectuer des travaux sur l'installation électrique.

Alimentation électrique

Le client a la responsabilité de vérifier que l'installation électrique du lave-vaisselle est conforme à tous les codes et ordonnances électriques nationaux et locaux. Le lave-vaisselle a été conçu pour fonctionner avec une alimentation électrique en courant alternatif de 120 volts, 60 Hz, connectée à un circuit électrique correctement mis à la terre, conçu pour les lave-vaisselle, avec protection par fusible ou disjoncteur d'une puissance de 15 ampères. Les conducteurs d'alimentation électrique doivent être en fil de cuivre de calibre 14 AWG minimum à une température nominale de 75°C (167°F) ou plus.



AVERTISSEMENT

Éviter les risques d'incendie

S'assurer que les branchements électriques sont bien serrés. S'assurer que tous les branchements électriques sont bien faits.

Instructions de mise à la terre

Le lave-vaisselle doit être correctement mis à la terre avant toute utilisation. Cet appareil doit être raccordé à un système de câblage en métal permanent mis à la terre ou un conducteur de mise à la terre du matériel doit être utilisé avec les conducteurs du circuit et raccordé à la borne de mise à la terre de l'appareil ou au fil conducteur du lave-vaisselle. S'assurer que le lave-vaisselle est relié à une masse adéquate conformément à tous les codes locaux, et en l'absence de code local, au CODE NATIONAL D'ÉLECTRICITÉ aux États-Unis ou au CODE D'ÉLECTRICITÉ DU CANADA, C22.1, dernière édition au Canada, ainsi qu'aux codes provinciaux, d'état ou municipaux qui s'appliquent.

Caractéristiques électriques du lave-vaisselle

Volts	Hertz	Ampères	Watts
120	60	12	1,300 (max)

La boîte de jonction de l'alimentation électrique du lave-vaisselle et la prise dédiée doivent être installées dans une armoire accessible adjacente au lave-vaisselle (ne pas monter la boîte de jonction ni la prise derrière l'appareil). Vous aurez besoin d'une ouverture de $4\frac{3}{4}'' \times 2\frac{3}{8}''$ (120 x 60 mm) pratiquée dans l'armoire pour pouvoir y passer la boîte de jonction (**Figure 6**). Si l'ouverture est percée dans du bois, poncer le pourtour de l'orifice. Si l'ouverture est percée dans du métal, utiliser la gaine protectrice comprise ou toute autre méthode approuvée pour protéger le câblage de tout dommage. Utiliser les quatre vis comprises (ou le dispositif de fixation approprié) se trouvant dans le sachet contenant les pièces pour fixer la boîte de jonction en toute sécurité afin qu'elle soit facilement accessible (voir la **Figure 6**). L'alimentation électrique peut être branchée de deux façons :

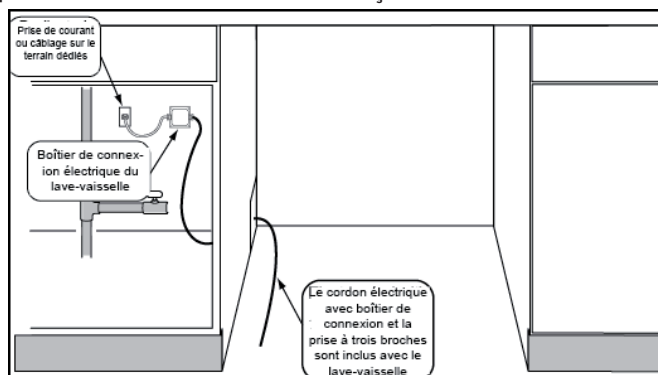


Figure 6

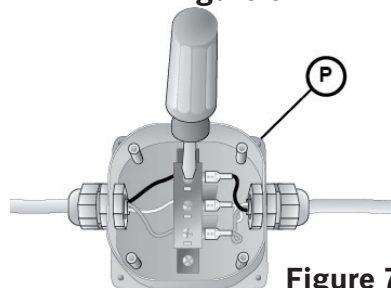
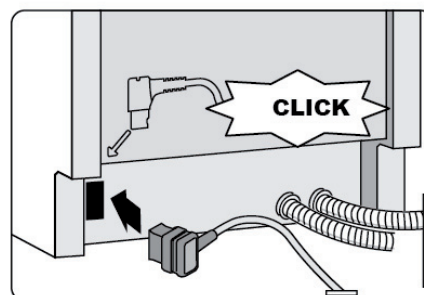


Figure 7



Méthode A - Fiche à trois broches et prise

Utiliser la fiche à trois broches et la boîte de jonction comprises pour brancher l'alimentation sur une prise résidentielle dédiée. S'assurer que la prise résidentielle répond aux spécifications relatives à l'alimentation électrique ainsi qu'aux codes nationaux ou locaux.

Méthode B - Pour effectuer le branchement au câblage domestique ou in-situ de manière permanente

1. Enlever le couvercle de la boîte de jonction électrique du lave-vaisselle et la brancher au cordon d'alimentation électrique depuis l'installation résidentielle (voir **Figure 7**).
2. Enlever 2 à 3 po (51 à 76 mm) de la gaine extérieure du câble d'alimentation résidentiel ou in-situ comme indiqué sur la **Figure 8**. Enlever 3/8 à 1/2 po (10 à 13 mm) de l'isolant de chaque fil comme indiqué sur la **Figure 8**.

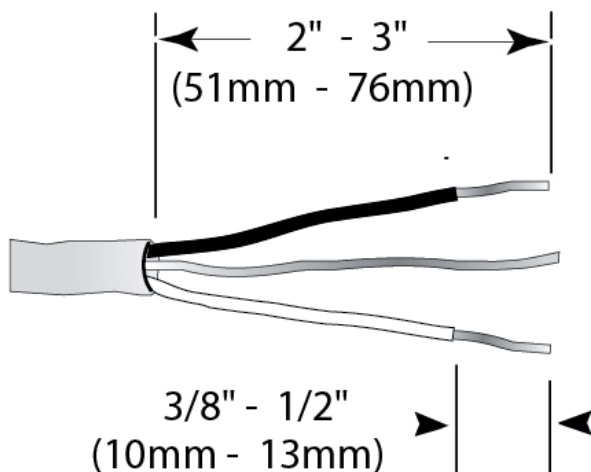


Figure 8

3. Introduire le fil de cuivre dénudé ou vert (mise à la terre) sur le conducteur de terre « G » \perp du bloc de bornes et visser solidement la vis du bornier (voir **Figure 7**).
4. Introduire le fil blanc (neutre) sur la connexion en « N » du bornier et visser solidement la vis du bornier.
5. Introduire le fil noir (chargé) sur la connexion en « L » du bornier et visser solidement la vis du bornier.
6. Vérifier que tous les branchements électriques sont bien serrés et remonter le couvercle de la boîte de jonction au moyen des 4 vis.



AVERTISSEMENT

Évitez les risques de décharge électrique et d'incendie. Pour éviter toute blessure ou tout dommage matériel potentiel, prenez toutes les précautions nécessaires lors de l'installation ou du retrait du lave-vaisselle afin d'éviter d'endommager potentiellement le cordon d'alimentation.

Raccordements d'arrivée d'eau

Alimentation d'eau chaude

Le chauffe-eau doit être réglé de façon à ce que l'eau qui alimente le lave-vaisselle soit chauffée à une température approximative de 120° F (49° C). Si la température de l'eau est trop élevée, elle diminue l'efficacité du détergent. Si la température de l'eau est trop basse, la durée de lavage sera plus longue. La pression d'alimentation d'eau chaude doit être comprise entre 15 et 145 psi (1 et 10 bars).

REMARQUE :

- En cas d'utilisation d'un joint de soudure au lieu d'un raccord à compression, s'assurer que toutes les soudures sont faites avant de brancher le tuyau d'alimentation d'eau sur le lave-vaisselle.
- S'assurer que la conduite d'eau n'est ni pliée ni tordue afin d'éviter toute obstruction de l'écoulement de l'eau.
- Toujours utiliser les joints appropriés pour effectuer les raccordements sanitaires.
- Avant de brancher le tuyau d'alimentation d'eau sur le lave-vaisselle, faire couler l'eau de la conduite d'arrivée pendant environ 5 minutes pour éliminer les corps étrangers.
- Une fois les raccordements terminés, ouvrir l'alimentation d'eau et vérifier s'il y a des fuites



AVERTISSEMENT

Évitez les brûlures ou les risques de secousse électrique ! Ne pas tenter de travailler sur une conduite d'eau chaude chargée. De graves blessures pourraient survenir. Seuls les plombiers qualifiés doivent effectuer des travaux sur la tuyauterie. Ne tentez pas d'intervenir sur la tuyauterie d'alimentation d'eau chaude du lave-vaisselle tant que vous n'êtes pas certain que l'alimentation d'eau chaude est coupée.

CAUTION

Les températures nécessaires pour souder et exsuder peuvent endommager le lave-vaisselle. Si la tuyauterie a besoin d'une soudure ou d'une exsudation, maintenir la source de chaleur à 6 pouces (152,4 mm) minimum de distance du lave-vaisselle.

Robinet d'arrêt d'alimentation d'eau

Installer un robinet d'arrêt (non fourni) facilement accessible sur le tuyau d'alimentation d'eau chaude, comme indiqué sur la **Figure 9**. Toutes les connexions soudées doivent avoir été faites avant de brancher la conduite d'eau sur le lave-vaisselle.

Raccordement de l'alimentation d'eau chaude

Vous trouverez deux tuyaux en plastique ondulé qui sortent de l'arrière du lave-vaisselle. Le plus gros tuyau, doté d'un raccord en laiton à l'extrémité, est le tuyau d'alimentation d'eau qui est relié au lave-vaisselle (l'autre est le tuyau de vidange du lave-vaisselle). Vous aurez besoin d'une ouverture de 3 po x 1^{3/4} po (76 x 45 mm) pratiquée dans l'armoire pour pouvoir acheminer le tuyau d'alimentation d'eau du lave-vaisselle vers le robinet d'arrêt.

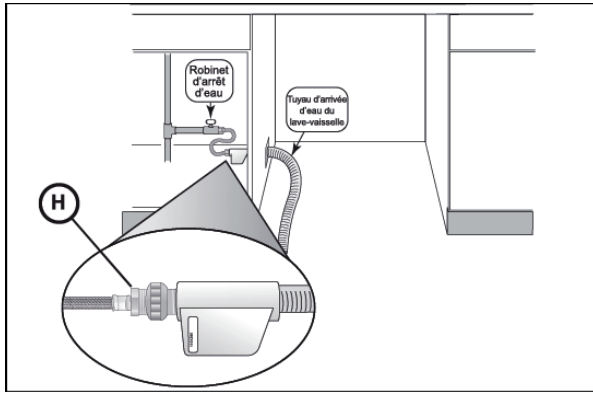


Figure 9

Pour raccorder l'alimentation d'eau chaude :

1. Brancher le raccord d'adaptateur (H) d'alimentation d'eau, qui se trouve dans le sachet contenant les pièces, sur le tuyau d'alimentation du lave-vaisselle. Ce raccord ne nécessite pas l'emploi d'un ruban d'étanchéité en Téflon.
2. Faire passer la conduite d'eau du lave-vaisselle dotée de l'adaptateur à travers l'ouverture en direction du robinet d'arrêt d'eau. S'assurer que le tuyau situé derrière le lave-vaisselle n'est ni plié ni tordu.
3. Brancher le conduit d'eau du lave-vaisselle doté de l'adaptateur sur le robinet d'arrêt d'eau. Pour effectuer ce branchement, vous devez utiliser un conduit d'eau pour lave-vaisselle homologué avec les raccords adéquats. Toujours utiliser les joints appropriés pour effectuer les raccordements sanitaires.

REMARQUE : l'extrémité du tuyau d'alimentation du lave-vaisselle est lourde et doit être supportée. Il convient de déposer l'extrémité du tuyau sur le plancher de l'armoire comme indiqué sur la **Figure 9**.

4. Une fois tous les raccordements effectués, ouvrir le robinet d'eau chaude et vérifier s'il y a des fuites.

Raccordements d'évacuation

Le tuyau de vidange du lave-vaisselle peut être branché sur la tuyauterie d'évacuation résidentielle ou in-situ de l'une des quatre manières suivantes. Vous aurez besoin d'une ouverture de 1^{1/4} po de diamètre pratiquée dans l'armoire pour faire passer le tuyau de vidange.

1. Directement sur le raccordement de vidange de lave-vaisselle sous l'évier, comme l'indique la **Figure 11**.
2. Directement sur le raccordement de vidange de lave-vaisselle d'un broyeur de déchets, comme l'indique la **Figure 12**.

3. Sur le raccordement de vidange de lave-vaisselle sous l'évier via un dispositif de coupure anti-retour comme l'indique la **Figure 13**.
4. Sur le raccordement de vidange de lave-vaisselle d'un broyeur via un dispositif de coupure anti-retour, comme l'indique la **Figure 14**.

REMARQUE :

- Si la réglementation locale exige un dispositif de coupure anti-retour, en installer un conformément aux instructions du fabricant.
- Si le tuyau de vidange du lave-vaisselle doit être branché sur le raccordement de vidange de lave-vaisselle d'un broyeur à déchets, retirer le bouchon du raccordement de vidange de lave-vaisselle du broyeur.
- Le tuyau de vidange du lave-vaisselle doit être solidement fixé en un point sur sa longueur à 20 pouces au-dessus du plancher de l'armoire.
- La longueur du tuyau de vidange peut être augmentée si nécessaire. La longueur maximale du tuyau de vidange, y compris le flexible relié au dispositif de coupure anti-retour, est de 150 pouces.

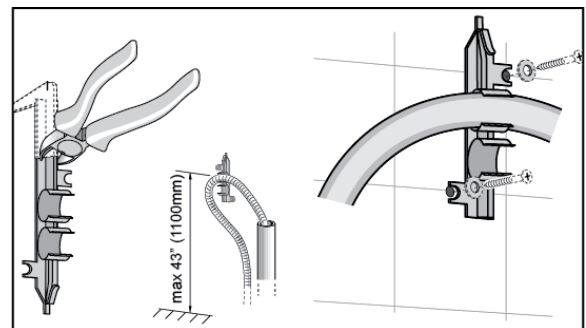


Figure 10

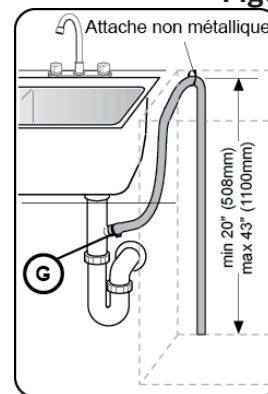


Figure 11

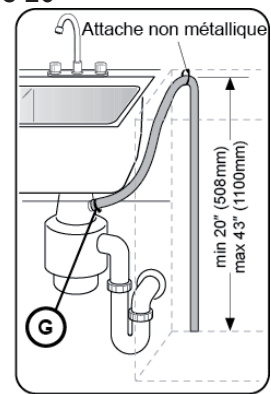


Figure 12

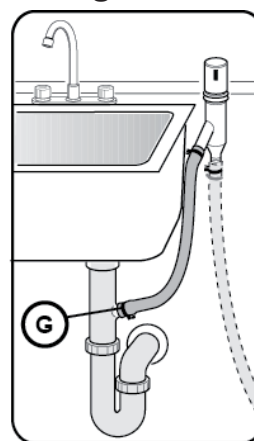


Figure 13

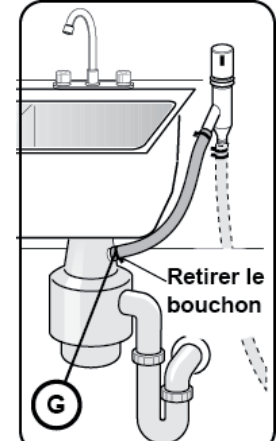


Figure 14

Installation de l'adaptateur de tuyau de vidange en caoutchouc

Pour un port large, utiliser le tuyau d'évacuation tel qu'il est.

1. Pour un port plus petit, insérer l'adaptateur de tuyau de vidange en caoutchouc sur l'extrémité du tuyau d'évacuation.
2. Utiliser la bride à ressort de l'adaptateur (J) de tuyau de vidange en caoutchouc qui se trouve dans le nécessaire d'installation du lave-vaisselle (ne pas utiliser des pièces de substitution).
3. Introduire le tuyau de vidange du lave-vaisselle dans l'extrémité du tuyau d'évacuation (voir la **Figure 15**). Veiller à bien enfoncer le tuyau de vidange.
4. Utiliser la bride fournie pour fixer l'adaptateur de tuyau de vidange en caoutchouc à la tuyauterie résidentielle (voir la **Figure 16**).

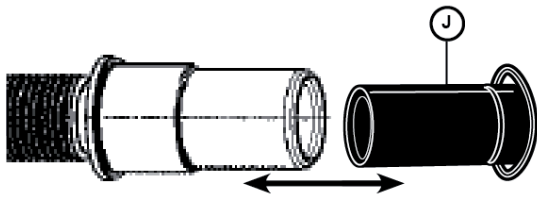


Figure 15

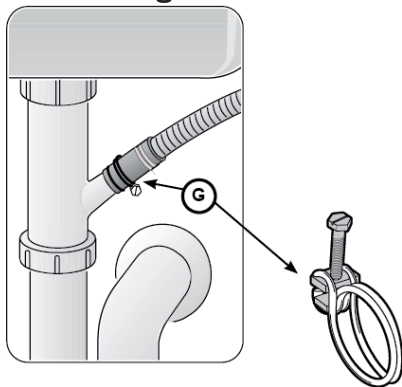


Figure 16

Installation des pattes de fixation

CAUTION

Avant d'installer les pattes de fixation pour comptoir, déterminer quelle méthode sécuritaire doit être utilisée pour installer le lave-vaisselle dans son encastrement. Une fois les pattes de fixation installées sur le lave-vaisselle, il sera difficile de les retirer sans les abîmer ainsi que le lave-vaisselle.

Le lave-vaisselle peut être installé dans l'encastrement de façon sécuritaire de trois façons :
REMARQUE : si la largeur de l'ouverture de votre lave-vaisselle est supérieure à $>23^{5/8}$ po (600 mm) utilisez les méthodes de MONTAGE PAR LE DESSUS ou LATÉRAL. Si la largeur de l'ouverture de votre lave-vaisselle est inférieure à $23^{5/8}$ po (600 mm) utilisez la méthode de MONTAGE LATÉRAL ALTERNATIF.

Le montage par le dessus est utilisé pour les comptoirs en bois ou autres matériaux faciles à percer. Orienter les pattes de fixation comme l'indique la **Figure 17** et placer les deux petites languettes des pattes de fixation sur les deux orifices sur les coins avant du lave-vaisselle. Enfoncer les pattes de fixation vers le bas avec fermeté pour introduire les languettes dans les orifices.

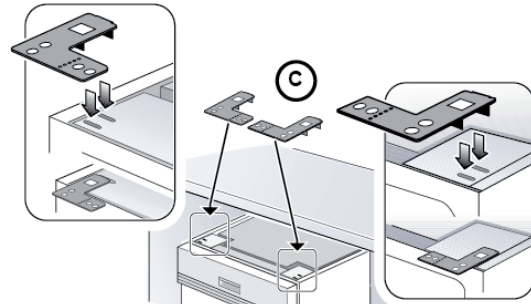


Figure 17

La méthode de montage latéral est utilisée pour les comptoirs en marbre, granite ou autres matériaux très durs difficiles à percer. Plier les pattes de fixation le long des petits trous et dans la même direction que les deux petites languettes. Orienter les pattes de fixation comme l'indique la **Figure 18** et placer les deux petites languettes des pattes de fixation sur les deux orifices sur les coins avant du lave-vaisselle. Enfoncer les pattes de fixation vers le bas avec fermeté pour introduire les languettes dans les orifices.

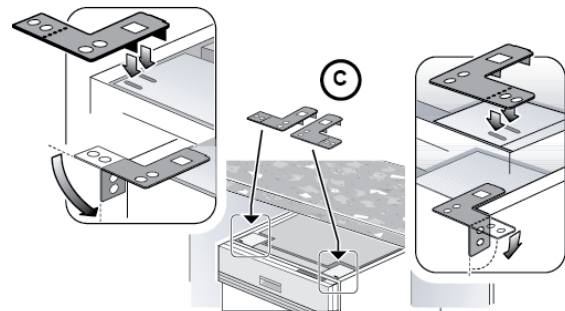


Figure 18

La méthode alternative de montage latéral (pour les ouvertures inférieures à $23^{5/8}$ po (600 mm)). Introduire un répartiteur de poussée pour montage latéral (Pièce M) de chaque côté comme l'indique la **Figure 19**.

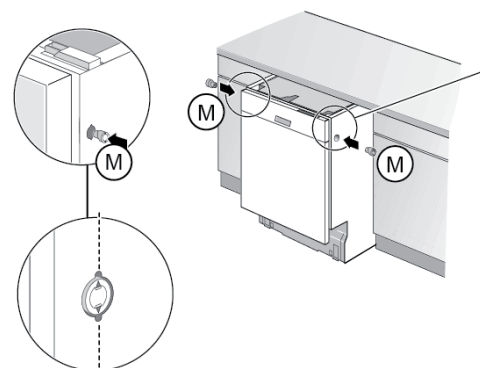


Figure 19



AVERTISSEMENT

Éviter les dangers de basculement.

Ne pas utiliser le lave-vaisselle tant que l'installation n'est pas complètement terminée. Pour ouvrir la porte d'un lave-vaisselle dont l'installation n'est pas terminée, agir avec prudence et en soutenant la partie arrière de l'appareil. Le non respect de cet avertissement risque d'entraîner de graves blessures.

MISE À NIVEAU DU LAVE-VAISSELLE

L'appareil est maintenant prêt à être encastré dans l'ouverture de l'armoire. Protéger la surface du sol pour éviter les rayures et faire glisser le lave-vaisselle à l'intérieur de l'armoire avec prudence. S'assurer que les tuyaux et cordons situés à l'arrière de l'appareil ne sont ni entremêlés ni pliés lors de l'encastrement de l'appareil. Veiller à mettre l'appareil en place avant de relever les vérins de calage. Mettez le lave-vaisselle de niveau à l'horizontale en tournant les vérins dans le sens des aiguilles d'une montre pour relever l'avant de l'appareil ou en sens inverse des aiguilles d'une montre pour l'abaisser. Mettre le lave-vaisselle de niveau à la verticale en tournant la vis centrale pour soulever ou abaisser l'arrière de l'appareil.

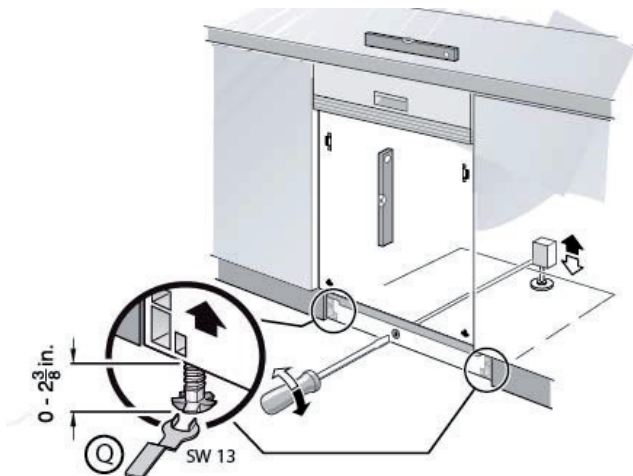


Figure 20

POSE SÉCURITAIRE DU LAVE-VAISSELLE

Centrer le lave-vaisselle sur l'ouverture avant de le fixer à l'armoire ou au comptoir de cuisine comme indiqué à la Figure 21. Enlever le panier de cutellerie supérieur comme indiqué à la Figure 22.

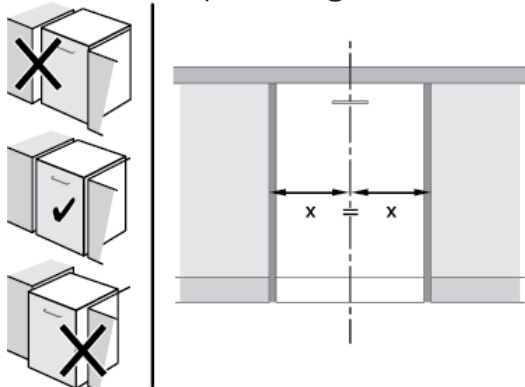


Figure 21

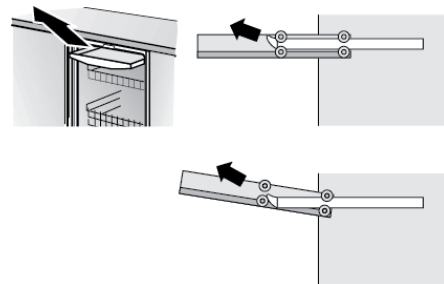


Figure 22

Insérer les vis de montage dans les trous des pattes de fixation et serrer comme indiqué pour le Montage par le dessus (Figure 23), le Montage latéral (Figure 24) et le Montage latéral alternatif (Figure 25).

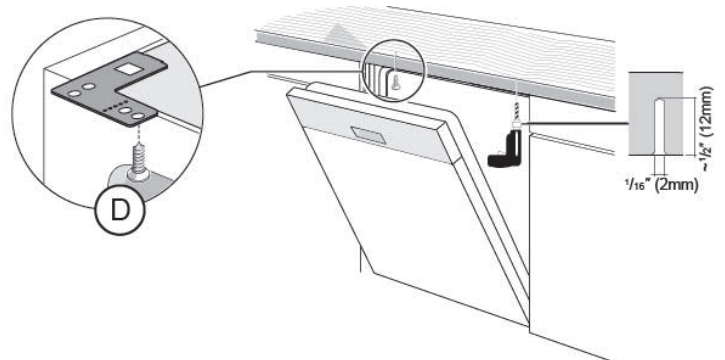


Figure 23

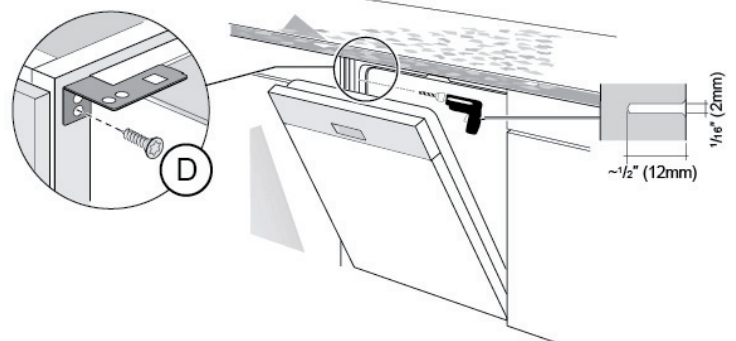


Figure 24

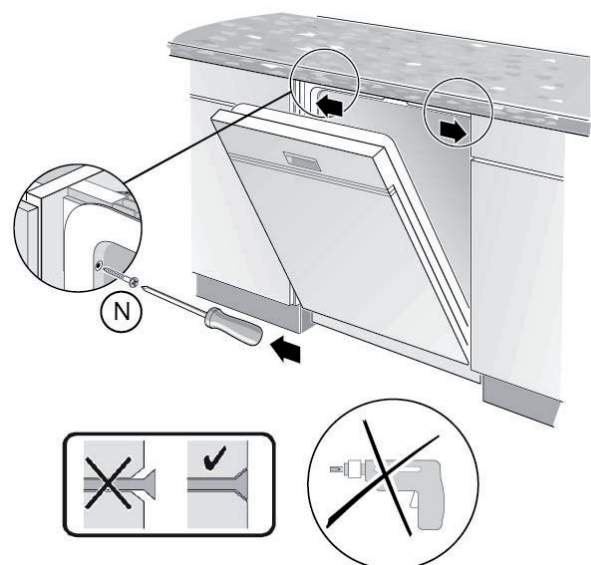


Figure 25

Fixation du panneau de plinthe

Votre lave-vaisselle est livré avec un panneau de plinthe qui se compose de trois pièces (certains modèles) pour permettre de régler la hauteur de l'appareil.

1. Positionner tout d'abord le panneau de plinthe à fentes arrière sur le lave-vaisselle. Le laisser reposer sur le sol.
2. Positionner le panneau de plinthe homologue sur le dessus du panneau de plinthe arrière en laissant le rebord incliné reposer contre le rebord correspondant du lave-vaisselle.
3. Insérer les deux vis noires (comprises) dans les trous prévus sur le panneau de plinthe et les visser. Utiliser les vis fournies afin d'éviter d'endommager le lave-vaisselle. Voir la **Figure 26**.
4. Pour les modèles dotés d'un panneau de plinthe en trois parties, le tablier de caoutchouc retiré précédemment devra être remis en place à ce stade en veillant à ce qu'il reste derrière la partie la plus éloignée du panneau de plinthe.
5. Pour les modèles dotés d'un panneau de plinthe extérieur (3ème pièce), faire glisser les pattes (K) fournies dans les fentes du panneau que vous venez de monter.
6. Une fois la position correcte d'une patte de fixation établie, retirer la patte et plier la languette en métal. Voir la **Figure 27**. Ceci permet de veiller à ce que le panneau de plinthe ne glisse pas plus loin que nécessaire.
7. Insérer de nouveau les pattes de fixation
8. Fixer le panneau de plinthe extérieur (L) sur les pattes de fixation et visser les vis fournies pour mettre le panneau en place en veillant à ce que le tablier de caoutchouc soit complètement dissimulé derrière le panneau de plinthe extérieur.

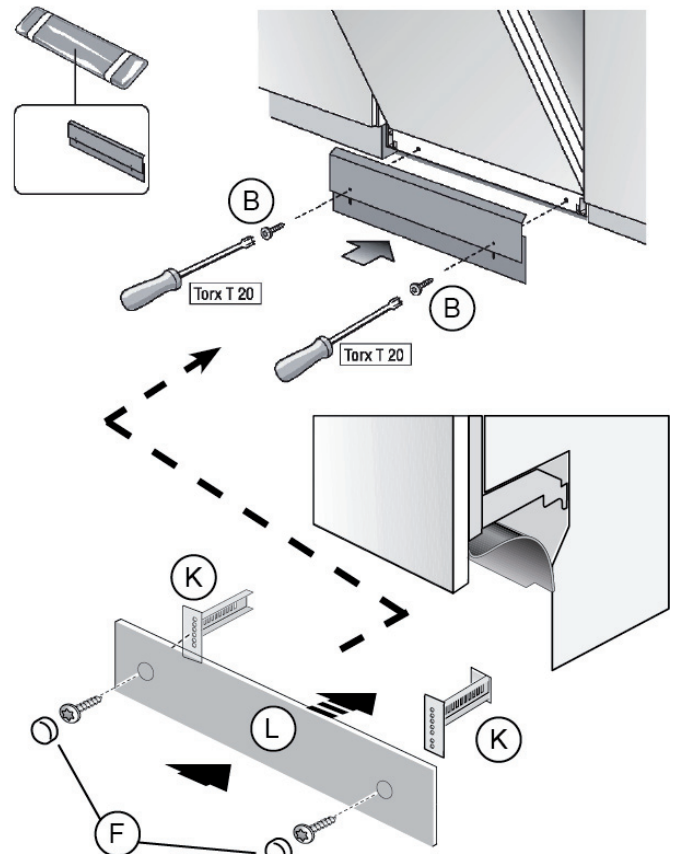


Figure 26

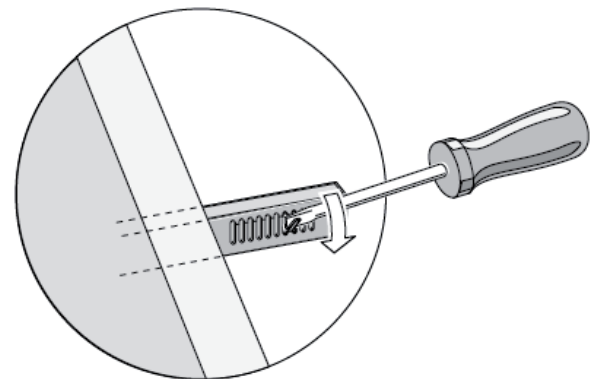


Figure 27

Service après-vente

Votre lave-vaisselle ne nécessite aucun entretien particulier autre que celui décrit dans la section « Nettoyage et entretien » du Guide d'Utilisation et d'Entretien. Si vous avez des problèmes avec votre lave-vaisselle, avant d'appeler un service d'entretien et de réparation, consultez la section d'auto-assistance de votre guide. Si un dépannage s'avère nécessaire, communiquez avec votre marchand ou avec l'installateur ou adressez-vous à un centre de service agréé.

Ne pas tenter d'effectuer soi-même une réparation sur l'appareil. Toute réparation effectuée par du personnel non agréé peut entraîner l'annulation de la garantie. Si vous avez un problème avec votre lave-vaisselle et n'êtes pas satisfait de la prestation de service qui vous a été offerte, veuillez effectuer les étapes suivantes (dans l'ordre indiqué ci-après) jusqu'à ce que le problème soit résolu à votre entière satisfaction :

1. Communiquez avec votre installateur ou avec le prestataire de service agréé de votre localité.
2. Envoyez-nous un courriel. Pour des instructions, se reporter au Manuel d'utilisation et d'entretien.
3. Écrivez-nous à l'adresse ci-dessous :
BSH Home Appliances Corporation
1901 Main Street
Irvine, CA 92614
4. Appelez le service après-vente au numéro fourni:
1-800-944-2904

Assurez-vous d'inclure (si vous écrivez) ou d'avoir à votre disposition (si vous téléphonez) les informations suivantes :

- Le numéro de modèle
- Le numéro de série
- La date d'achat d'origine
- La date à laquelle le problème s'est produit
- Une explication du problème
- Le numéro de téléphone où vous pouvez être joint dans la journée.

Veuillez faire une copie de votre facture et la conserver avec ce guide. Le client doit fournir une preuve d'achat pour bénéficier du service de garantie.



Free Manuals Download Website

<http://myh66.com>

<http://usermanuals.us>

<http://www.somanuals.com>

<http://www.4manuals.cc>

<http://www.manual-lib.com>

<http://www.404manual.com>

<http://www.luxmanual.com>

<http://aubethermostatmanual.com>

Golf course search by state

<http://golfingnear.com>

Email search by domain

<http://emailbydomain.com>

Auto manuals search

<http://auto.somanuals.com>

TV manuals search

<http://tv.somanuals.com>