

Cook & Hold Oven

Manual Control



500-TH-II



750-TH-II



1000-TH-II

Model:

500-TH-II

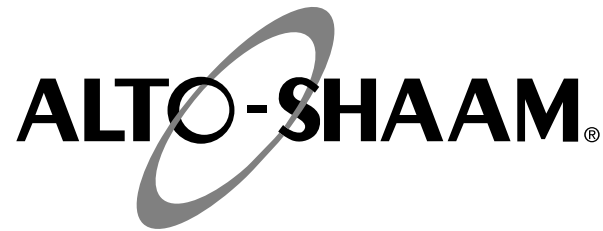
750-TH-II

1000-TH-II

- **INSTALLATION**
- **OPERATION**
- **MAINTENANCE**



W164 N9221 Water Street • P.O. Box 450 • Menomonee Falls, Wisconsin 53052-0450 USA
PHONE: 262.251.3800 • 800.558.8744 USA/CANADA FAX: 262.251.7067 • 800.329.8744 U.S.A. ONLY
www.alto-shaam.com



Delivery 1
Unpacking 1
Safety Procedures and Precautions 2

Installation

Installation Requirements 3
Clearance Requirements 3
Dimension Drawings, weights & capacities 4-5
Options and Accessories 6
Stacking Instructions 7
Leveling 8
Restraint Requirements - Mobile Equipment 8
Drip Tray Installation 9
Electrical Specifications 10

Operating Instructions

User Safety Information 11
Before Initial Use 11
Operating Instructions 12
General Holding Guidelines 13

Care and Cleaning

Cleaning and Preventative Maintenance 14
Protecting Stainless Steel Surfaces 14
Cleaning Agents 14
Cleaning Materials 14
Equipment Care 15
Clean Daily 15
Clean the Door Vents 15
Check Overall Condition of Oven 15

Sanitation

Sanitation/Food Safety 16
Internal Food Product Temperatures 16

Service

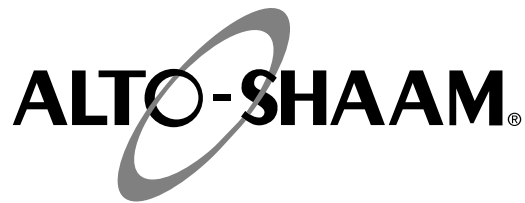
Trouble Shooting 17
Exterior Service View 18
Exterior Service Parts List 19
Electrical Component Service View and Parts List 20
Cable Heating Service Kits 20

Wire Diagrams

Always refer to the wire diagram(s) included with the unit for most current version.

Warranty

Transportation Damage and Claims Back Cover
Limited Warranty Back Cover



DELIVERY

This Alto-Shaam appliance has been thoroughly tested and inspected to ensure only the highest quality unit is provided. Upon receipt, check for any possible shipping damage and report it at once to the delivering carrier. *See Transportation Damage and Claims section located in this manual.*

This appliance, complete with unattached items and accessories, may have been delivered in one or more packages. Check to ensure that all standard items and options have been received with each model as ordered.

Save all the information and instructions packed with the appliance. Complete and return the warranty card to the factory as soon as possible to ensure prompt service in the event of a warranty parts and labor claim.

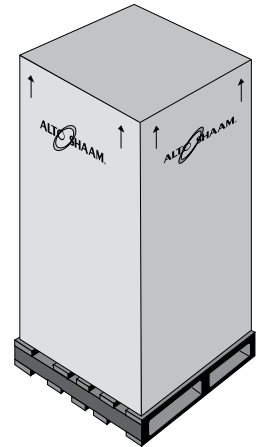
This manual must be read and understood by all people using or installing the equipment model. Contact the Alto-Shaam Tech Team Service Department if you have any questions concerning installation, operation, or maintenance.

NOTE: All claims for warranty must include the full model number and serial number of the unit.

UNPACKING

1. Carefully remove the appliance from the carton or crate.

NOTE: Do not discard the carton and other packaging material until you have inspected the unit for hidden damage and tested it for proper operation.



2. Read all instructions in this manual carefully before initiating the installation of this appliance.


DO NOT DISCARD THIS MANUAL.


This manual is considered to be part of the appliance and is to be provided to the owner or manager of the business or to the person responsible for training operators. *Additional manuals are available from the Alto-Shaam Tech Team Service Department.*


3. Remove all protective plastic film, packaging materials, and accessories from the appliance before connecting electrical power. Store any accessories in a convenient place for future use.

SAFETY PROCEDURES AND PRECAUTIONS

Knowledge of proper procedures is essential to the safe operation of electrically and/or gas energized equipment. In accordance with generally accepted product safety labeling guidelines for potential hazards, the following signal words and symbols may be used throughout this manual.

DANGER	
	Used to indicate the presence of a hazard that WILL cause severe personal injury, death, or substantial property damage if the warning included with this symbol is ignored.

WARNING	
	Used to indicate the presence of a hazard that CAN cause personal injury, possible death, or major property damage if the warning included with this symbol is ignored.

CAUTION	
	Used to indicate the presence of a hazard that can or will cause minor or moderate personal injury or property damage if the warning included with this symbol is ignored.

CAUTION	
Used to indicate the presence of a hazard that can or will cause minor personal injury, property damage, or a potential unsafe practice if the warning included with this symbol is ignored.	

NOTE: Used to notify personnel of installation, operation, or maintenance information that is important but not hazard related.
--

1. This appliance is intended to cook, hold or process foods for the purpose of human consumption. No other use for this appliance is authorized or recommended.
2. This appliance is intended for use in commercial establishments where all operators are familiar with the purpose, limitations, and associated hazards of this appliance. Operating instructions and warnings must be read and understood by all operators and users.
3. Any troubleshooting guides, component views, and parts lists included in this manual are for general reference only and are intended for use by qualified technical personnel.
4. This manual should be considered a permanent part of this appliance. This manual and all supplied instructions, diagrams, schematics, parts lists, notices, and labels must remain with the appliance if the item is sold or moved to another location.

NOTE	
	For equipment delivered for use in any location regulated by the following directive: DO NOT DISPOSE OF ELECTRICAL OR ELECTRONIC EQUIPMENT WITH OTHER MUNICIPAL WASTE.

INSTALLATION

DANGER



IMPROPER INSTALLATION, ALTERATION, ADJUSTMENT, SERVICE, OR MAINTENANCE COULD RESULT IN SEVERE INJURY, DEATH, OR CAUSE PROPERTY DAMAGE.

READ THE INSTALLATION, OPERATING AND MAINTENANCE INSTRUCTIONS THOROUGHLY BEFORE INSTALLING OR SERVICING THIS EQUIPMENT.

CAUTION



METAL PARTS OF THIS EQUIPMENT BECOME EXTREMELY HOT WHEN IN OPERATION. TO AVOID BURNS, ALWAYS USE HAND PROTECTION WHEN OPERATING THIS APPLIANCE.

CAUTION



TO PREVENT PERSONAL INJURY, USE CAUTION WHEN MOVING OR LEVELING THIS APPLIANCE.



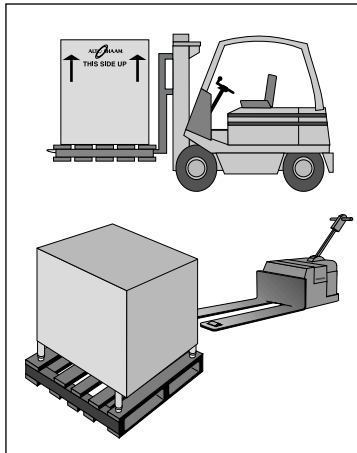
DANGER



DO NOT store or use gasoline or other flammable vapors or liquids in the vicinity of this or any other appliance.

SITE INSTALLATION

The Alto-Shaam cook and hold oven must be installed in a location that will permit the oven to function for its intended purpose and to allow adequate clearance for ventilation, proper cleaning, and maintenance access.



Emissions testing conducted by Underwriters Laboratories, Inc.® was found to be in compliance with the applicable requirements of NFPA96: 2004 Edition, Par. 4.1.1.2. U.L emissions sampling of grease laden vapor resulted in a total of 0.55 milligrams per cubic meter with no visible smoke and is considered representative of all oven models in the line. Based on these results, hood installation and/or outside venting should not be a requirement in most areas. Verify local codes for locations where more restrictive codes are applicable.

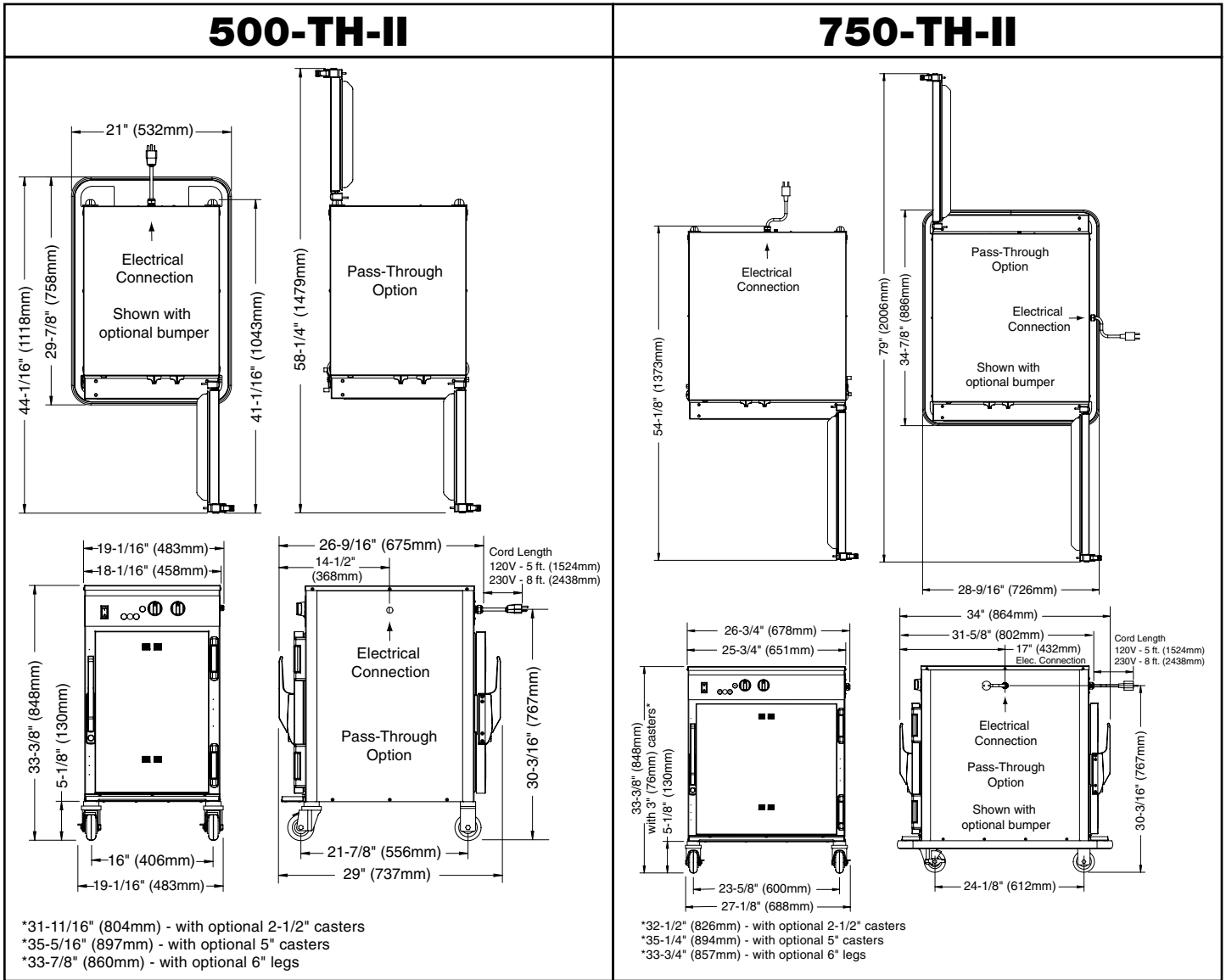
1. The oven must be installed on a stable and level surface.
2. **DO NOT** install this oven in any area where it may be affected by any adverse conditions such as steam, grease, dripping water, high temperatures, etc.
3. **DO NOT** store or use any flammable liquids or allow flammable vapors in the vicinity of this oven or any other appliance.
4. This appliance must be kept free and clear of any combustible materials.
5. This appliance must be kept free and clear of any obstructions blocking access for maintenance or service.

MINIMUM CLEARANCE REQUIREMENTS

	COMBUSTIBLE SURFACES	NON-COMBUSTIBLE SURFACES
BACK	3" (76mm)	3" (76mm)
LEFT SIDE	1" (25mm)	1" (25mm)
RIGHT SIDE	1" (25mm)	1" (25mm)
TOP	2" (51mm)	2" (51mm)

INSTALLATION

SITE INSTALLATION

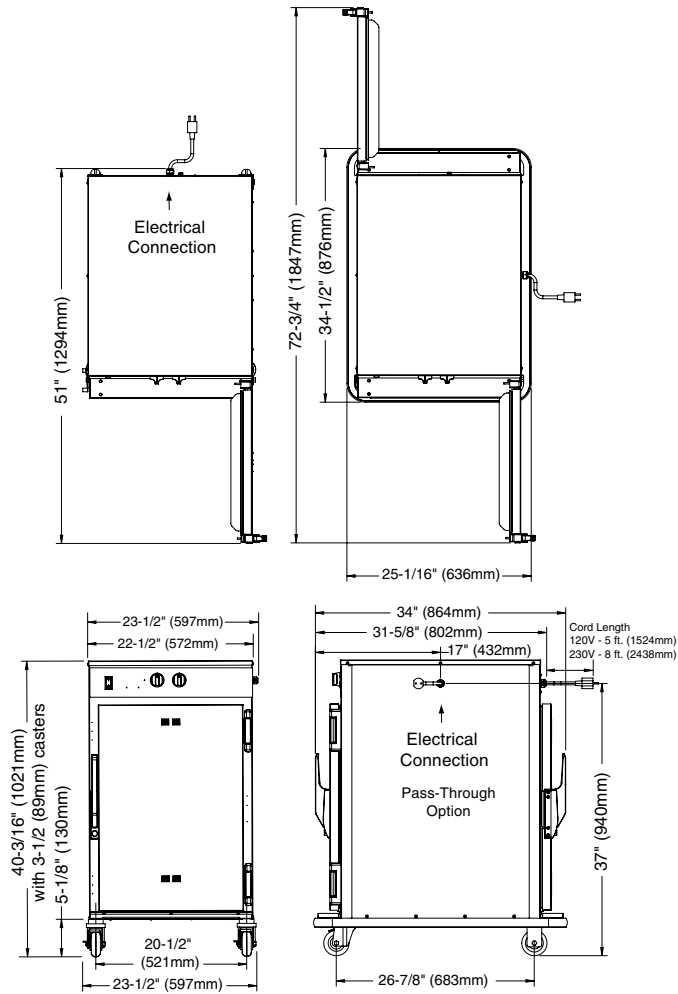


WEIGHT			PRODUCT\PAN CAPACITY	
MODEL	NET	SHIP	500-TH-II	
500-TH-II	130 lb (59 kg)	166 lb (75 kg)	40 lb (18kg) MAXIMUM VOLUME MAXIMUM: 30 QUARTS (38 LITERS)	
750-TH-II	194 lb (264 kg)	264 lb (120 kg)	750-TH-II	
			100 lb (45kg) MAXIMUM VOLUME MAXIMUM: 75 QUARTS (95 LITERS)	

INSTALLATION

SITE INSTALLATION

1000-TH/II



- *38-5/8" (981mm) - with optional 2-1/2" casters
- *42" (1067mm) - with optional 5" casters
- *41-7/8" (1063mm) - with optional 6" legs

WEIGHT

MODEL	NET	SHIP
1000-TH/II	200 lb (91 kg)	275 lb (125 kg)

PRODUCT/PAN CAPACITY

120 lb (54kg) MAXIMUM
VOLUME MAXIMUM: 60 QUARTS (76 LITERS)

INSTALLATION

OPTIONS AND ACCESSORIES	500-TH-II	750-TH-II	1000-TH-II
Bumper, Full Perimeter (NOT AVAILABLE WITH 2-1/2" (64mm) CASTERS)	5011161	5010371	5009767
Carving Holder, PRIME RIB STEAMSHIP (CAFETERIA) ROUND	HL-2635 4459	HL-2635 4459	HL-2635 4459
Casters - 2 RIGID, 2 SWIVEL W/BRAKE 5" (127mm) 3-1/2" (89mm) 2-1/2" (64mm)	5004862 STANDARD 5008022	5004862 STANDARD 5008022	5004862 STANDARD 5008022
Door with Window RIGHT-HAND LEFT-HAND	5010830 5010829	5010948 5010949	5010082 5010076
Door Lock with Key	LK-22567	LK-22567	LK-22567
Drip Pan STANDARD WITH DRAIN 1-7/16" (37mm) STANDARD WITH DRAIN 1-11/16" (43mm) STANDARD WITH DRAIN 1-7/8" (48mm) WITHOUT DRAIN, 1-7/16" (37mm) WITHOUT DRAIN, 1-7/8" (48mm) EXTRA DEEP, 4" (102mm)	14813 — — 11898 — —	— 14831 — — 11906 —	— — 5005616 — 11906 15929
Legs, 6" (152mm), Stemmed (SET OF FOUR)	5011149	5011149	5011149
Pan Grid, Wire - 18" X 26" PAN INSERT	—	PN-2115	PN-2115
Security Panel w/ Key Lock	5013939	5013936	5013934
Shelf, Stainless Steel FLAT WIRE, REACH-IN FLAT WIRE, PASS-THROUGH RIB RACK	SH-2326 — —	SH-2324 SH-2327 SH-2743	SH-2325 SH-2346 SH-29474
Stacking Hardware	5004864	5004864	5004864

INSTALLATION

SITE INSTALLATION

STACKING INSTRUCTIONS

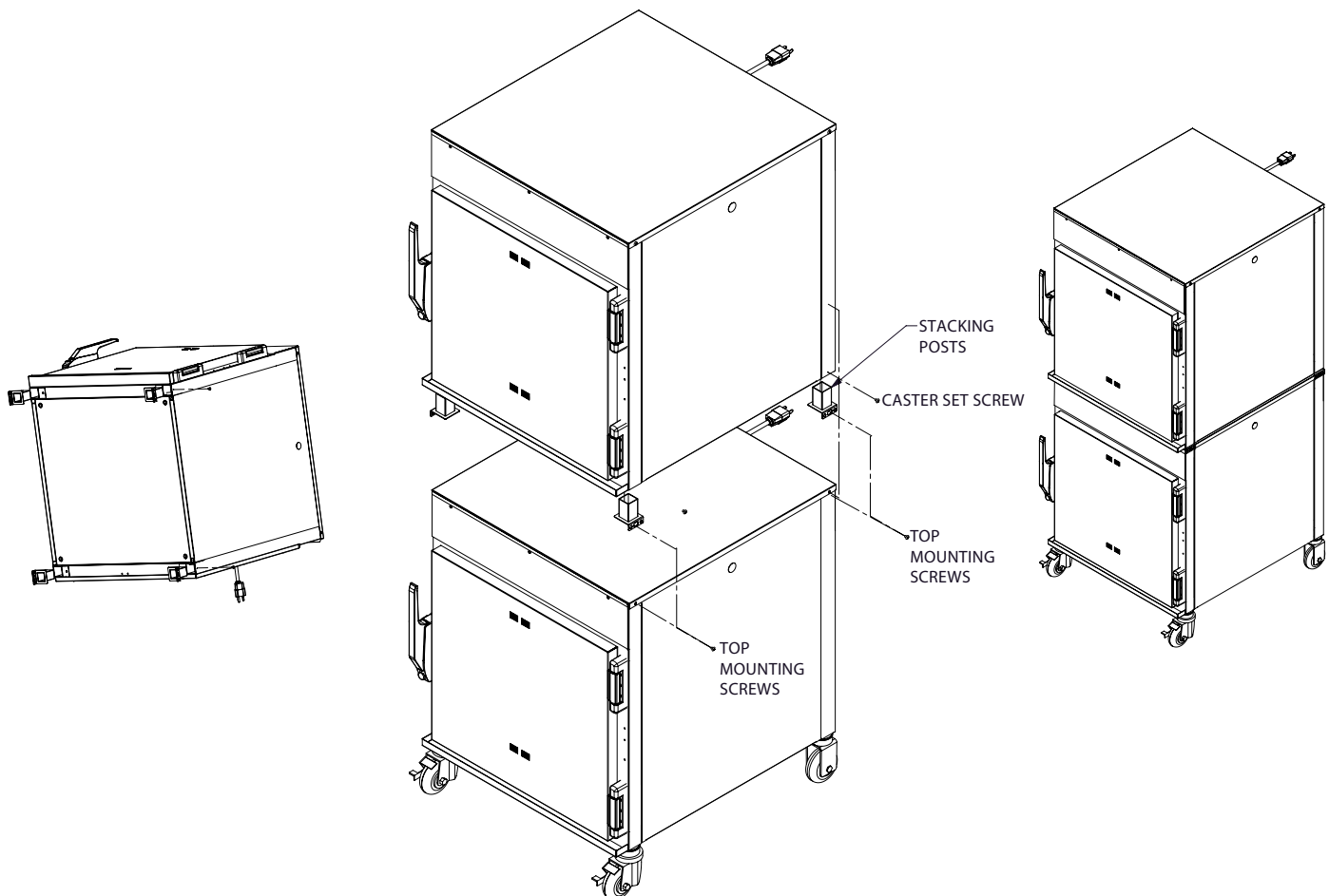
- 1) If the two appliances were shipped together from the factory, the top unit will have the casters already removed. A stacking kit will be included with the shipment.

If casters need to be removed: lay the unit on its back, and remove the set screw on each caster. Pull the casters out of the unit.

- 2) While appliance is laid on its back, insert one stacking post in each of the four corners of the upper unit. Secure the stacking posts using one screw and two flat washers that come with the stacking kit.

Note: The flange on the stacking posts must face the outside of the unit.

- 3) Remove the four top mounting screws from the lower unit. Place the upper appliance, which has the stacking posts installed, on top of the bottom unit. Center the top unit from front to back. Re-install the four screws through the flange of the four stacking posts.



Stacking Configurations

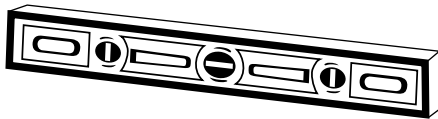
1000-TH-II with 1000-TH-II, 1000-SK-II, 1000-SK/III or 1000-S,
750-TH-II with 750-TH-II, 750-TH/III, 750-S, 767-SK or 767-SK/III,
500-TH-II with 500-TH-II, 500-TH/III or 500-S

INSTALLATION

SITE INSTALLATION

A number of adjustments are associated with initial installation and start-up. It is important that these adjustments be conducted by a qualified service technician. Installation and start-up adjustments are the responsibility of the dealer or user. These adjustments include but are not limited to thermostat calibration, door adjustment, leveling, electrical hook-up and installation of optional casters or legs.

LEVELING



Level the oven from side-to-side and front-to-back with the use of a spirit level. For ovens installed with casters, it is important that the installation surface be level due to the probability of frequent oven repositioning.

We recommend checking the level of the oven periodically to make certain the floor has not shifted nor the oven moved.

NOTE: Failure to properly level this oven can cause improper function and will result in the uneven baking with products consisting of semi-liquid batter.

RESTRAINT REQUIREMENTS —MOBILE EQUIPMENT

 WARNING	
	RISK OF ELECTRIC SHOCK. Appliance must be secured to building structure.

Any appliance that is not furnished with a power supply cord but that includes a set of casters must be installed with a tether. Adequate means must be provided to limit the movement of this appliance without depending on or transmitting stress to the electrical conduit. The following requirements apply:

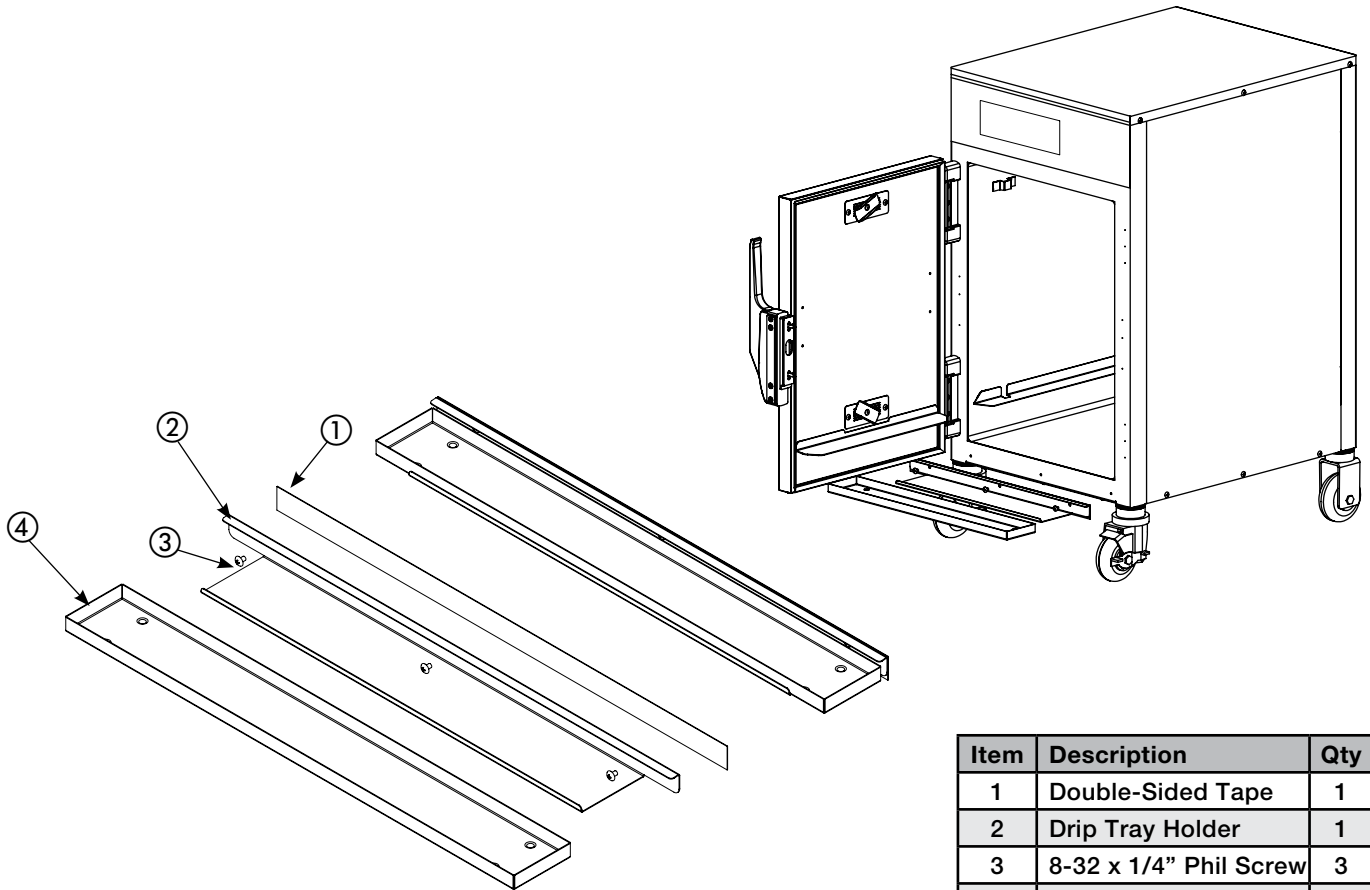
1. Casters must be a maximum height of 6" (152mm).
2. Two of the casters must be the locking type.
3. Such mobile appliances or appliances on mobile stands must be installed with the use of a flexible connector secured to the building structure.

A mounting connector for a restraining device is located on the upper back flange of the appliance. A flexible connector is not supplied by nor is it available from the factory.

INSTALLATION

SITE INSTALLATION

DRIP TRAY INSTALLATION INSTRUCTIONS



1. Poke holes through double-sided tape ① which is attached to the back of drip tray holder ②.
2. Remove backing on double-sided tape ①.
3. Put screws ③ through holes and attach drip tray holder ② to unit.
4. Optional - apply a line of food-grade silicone caulk along top edge of drip tray holder ② to seal.
5. Place drip tray ④ in drip tray holder ②.

DANGER

**ENSURE POWER SOURCE
MATCHES VOLTAGE IDENTIFIED
ON APPLIANCE RATING TAG.**

INSTALLATION

ELECTRICAL CONNECTION

The appliance must be installed by a qualified service technician. The oven must be properly grounded in accordance with the National Electrical Code and applicable local codes.

Plug the unit into a properly grounded receptacle ONLY, positioning the unit so that the plug is easily accessible in case of an emergency. Arcing will occur when connecting or disconnecting the unit unless all controls are in the "OFF" position.

Proper receptacle or outlet configuration or permanent wiring for this unit must be installed by a licensed electrician in accordance with applicable local electrical codes.

750- and 1000-TH-II models at 208-240V are dual rated units with a conversion switch mounted under an access cover on the rear of the oven, near the power cord.

With the voltage conversion switch in the 200-208V (UPPER) position, the oven will function properly with a source voltage of between 200 and 208.

With the voltage conversion switch in the 220-240V (LOWER) position, the unit will function properly with a source voltage of between 220 and 240.

NOTE: ALL 208-240V units are shipped from the factory with the voltage conversion switch in the 220-240 position.

All 125V rated units will function properly with a source voltage of between 100 and 125, 60 Hz.

The 125V rated units are provided with a cord and plug [NEMA #5-20P]. Have a licensed electrician install the proper outlet configuration as required for the unit in accordance with applicable, local electrical codes. This will assure a safe and trouble-free installation.

For CE approved units: To prevent an electrical shock hazard between the appliance and other appliances or metal parts in close vicinity, an equalization-bonding stud is provided. An equalization bonding lead must be connected to this stud and the other appliances / metal parts to provide sufficient protection against potential difference. The terminal is marked with the following symbol.






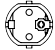
Hard wired models:



Hard wired models must be equipped with a country certified external allpole disconnection switch with sufficient contact separation.

If a power cord is used for the connection of the product an oil resistant cord like H05RN or H07RN or equivalent must be used.

NOTE: Where local codes and CE regulatory requirements apply, appliances must be connected to an electrical circuit that is protected by an external GFCI outlet.

ELECTRICAL - 500-TH-II						
VOLTAGE	PHASE	CYCLE/HZ	AMPS	kW	CORD & PLUG	
120	1	60	16.0	1.9		NEMA 5-20P 20A - 125V PLUG
208-240	1	60	12.5	3.0		NO CORD
at 208	1	60	10.6	2.2		OR PLUG
at 240	1	60	12.2	2.9		
230	1	50/60	12	2.8		CEE 7/7 220-230V PLUG

ELECTRICAL - 750-TH-II						
VOLTAGE	PHASE	CYCLE/HZ	AMPS	kW	CORD & PLUG	
120	1	60	14.2	1.7		NEMA 5-20P 20A - 125V PLUG
208-240	1	60	14.4	3.0		NO CORD
at 208	1	60	14.6	3.0		OR PLUG
at 240	1	60	11.2	2.7		
230	1	50	10.4	2.4		CEE 7/7 220-230V PLUG

ELECTRICAL - 1000-TH-II						
VOLTAGE	PHASE	CYCLE/HZ	AMPS	kW	CORD & PLUG	
120	1	60	14.4	1.7		NEMA 5-20P 20A - 125V PLUG
208-240	1	60	14.4	3.0		NO CORD
at 208	1	60	14.4	3.0		OR PLUG
at 240	1	60	11.1	2.7		
230	1	50	10.4	2.4		CEE 7/7 220-230V PLUG

Wire diagrams are located inside the bonnet of the unit.

DANGER



To avoid electrical shock, this appliance **MUST** be adequately grounded in accordance with local electrical codes or, in the absence of local codes, with the current edition of the National Electrical Code ANSI/NFPA No. 70. In Canada, all electrical connections are to be made in accordance with CSA C22.1, Canadian Electrical Code Part 1 or local codes.

OPERATING INSTRUCTIONS

USER SAFETY INFORMATION

CAUTION



METAL PARTS OF THIS EQUIPMENT BECOME EXTREMELY HOT WHEN IN OPERATION. TO AVOID BURNS, ALWAYS USE HAND PROTECTION WHEN OPERATING THIS APPLIANCE.

The Alto-Shaam cook and hold oven is intended for use in commercial establishments by qualified operating personnel where all operators are familiar with the purpose, limitations, and associated hazards of this appliance. Operating instructions and warnings must be read and understood by all operators and users.

START-UP OPERATION

BEFORE INITIAL USE:

Interior oven surfaces must be heated to remove surface oils and the accompanying odor produced during the first use of the oven.

1. Wipe all wire shelves, side racks and the full oven interior with a clean, damp cloth. Install the oven side racks, oven shelves, and external drip tray. Shelves are installed with the curved edge toward the back of the oven. Insert the drip pan on the interior bottom surface of the oven.
2. Close the oven doors, press the power switch to the on position, and set the thermostat to 300°F (149°C).
3. Allow the oven to cycle for approximately 2 hours or until no odor is detected.

PREHEATING:

Always preheat the oven for a minimum of 20 minutes before cooking product. Follow the operating instructions indicated on the next page of this manual.

DANGER



AT NO TIME SHOULD THE INTERIOR OR EXTERIOR BE STEAM CLEANED, HOSED DOWN, OR FLOODED WITH WATER OR LIQUID SOLUTION OF ANY KIND. DO NOT USE WATER JET TO CLEAN.



SEVERE DAMAGE OR ELECTRICAL HAZARD COULD RESULT.

WARRANTY BECOMES VOID IF APPLIANCE IS FLOODED

DANGER



APPLIANCES WITH NO CORD PROVIDED BY FACTORY MUST BE EQUIPPED WITH A CORD OF SUFFICIENT LENGTH TO PERMIT THE APPLIANCE TO BE MOVED FOR CLEANING.



ELECTRICAL CONNECTIONS MUST BE MADE BY A QUALIFIED SERVICE TECHNICIAN IN ACCORDANCE WITH APPLICABLE ELECTRICAL CODES.



DANGER



LOCK-OUT OR POST BREAKER PANEL UNTIL SERVICE WORK HAS BEEN COMPLETED.



DANGER



ENSURE POWER SOURCE MATCHES VOLTAGE IDENTIFIED ON APPLIANCE RATING TAG.

OPERATING INSTRUCTIONS

1. Push power switch to ON (I) position.

Control will display 0°F or 0°C.

2. Set the holding temperature.

- Rotate the hold knob to the desired holding temperature. The set temperature will appear in the Digital Display **140°F** and the temperature display button will illuminate.
- The holding indicator light will illuminate while in hold mode.
- Holding temperature range:
60° to 205°F (16 to 96°C)

3. Set the cooking temperature.

- Rotate the cook knob to the desired temperature. The set temperature will appear in the Digital Display **250°F** and the temperature display button will illuminate.
- The cooking indicator light will illuminate while in cook mode.
- Cooking temperature range:
200° to 325°F (94 to 160°C)
- **Note:** Cooking mode not active unless timer is running.

4. Set timer.

- Press Up or Down arrows when cook knob is set to begin cooking.
- Press Up or Down arrows to adjust the time while cooking.
- **Note:** Hold timer button for 3 seconds when in cook mode to *cancel* timer (display shows **----**).

5. PREHEAT oven for 30 minutes before loading food.

The heat indicator light will illuminate and will remain lit as long as the oven is calling for heat.

6. Load the oven with food and adjust cooking timer as needed.

Notes:

- When the oven temperature reaches the set temperature, the heat indicator light will turn off.
- Press and hold the Temperature Display Button for 3 seconds at any time to display the *Actual* oven temperature **190°F**.

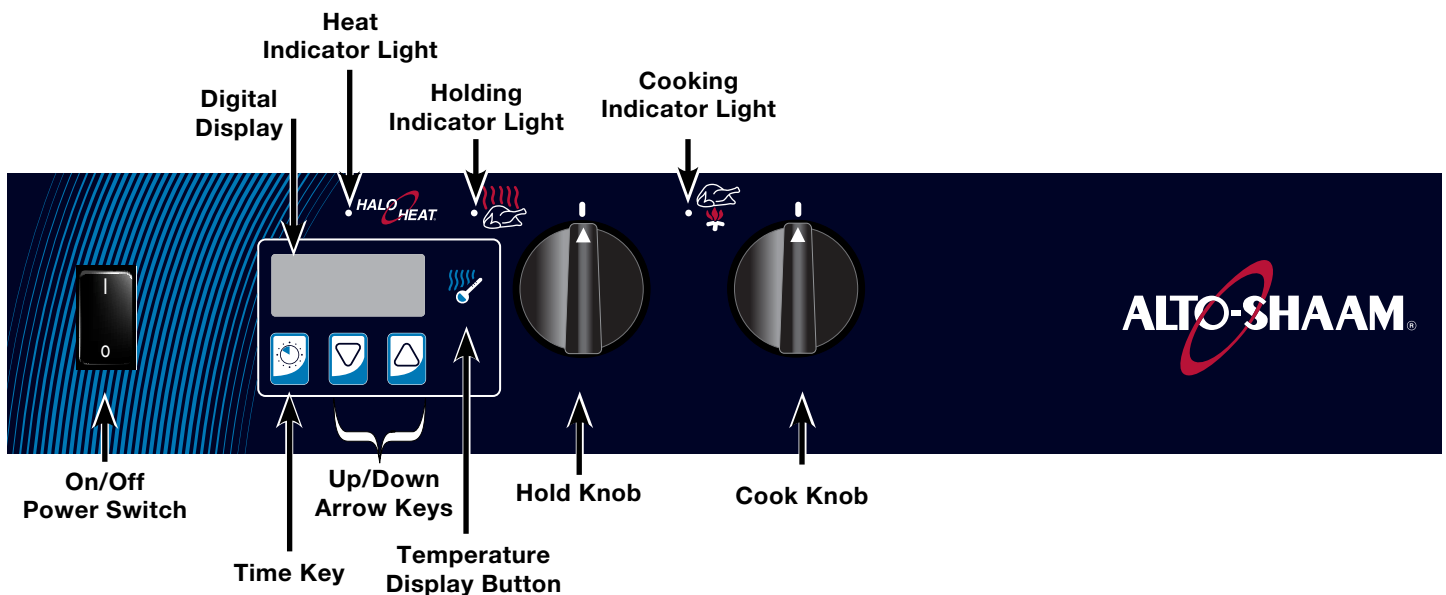
To toggle between fahrenheit (°F) and celsius (°C):

Press the **Temperature Display Button** at any time to display the alternate temperature.

The factory default is Fahrenheit. To change to Celsius:

1. Press and hold the **Temperature Display Button** and the **Down Arrow Key** for 5 seconds.
2. The control will show **°C** for 3 seconds to verify selection and then show the temperature in °C.
3. Repeat to toggle to Fahrenheit.

Note: With a power failure, factory test, etc., the control will retain the °C or °F setting selected by the user when power is restored.



OPERATING INSTRUCTIONS

General Holding Guideline

Chefs, cooks and other specialized food service personnel employ varied methods of cooking. Proper holding temperatures for a specific food product must be based on the moisture content of the product, product density, volume, and proper serving temperatures. Safe holding temperatures must also be correlated with palatability in determining the length of holding time for a specific product.

Halo Heat maintains the maximum amount of product moisture content without the addition of water, water vapor, or steam. Maintaining maximum natural product moisture preserves the natural flavor of the product and provides a more genuine taste. In addition to product moisture retention, the gentle properties of Halo Heat maintain a consistent temperature throughout the cabinet without the necessity of a heat distribution fan, thereby preventing further moisture loss due to evaporation or dehydration.

When product is removed from a high temperature cooking environment for immediate transfer into equipment with the lower temperature required for hot food holding, condensation can form on the outside of the product and on the inside of plastic containers used in self-service applications. Allowing the product to release the initial steam and heat produced by high temperature cooking can alleviate this condition. To preserve the safety and quality of freshly cooked foods, however, a maximum of 1 to 2 minutes must be the only time period allowed for the initial heat to be released from the product.

Most Halo Heat Holding Equipment is provided with a thermostat control between 60° and 200°F (16° to 93°C). If the unit is equipped with vents, close the vents for moist holding and open the vents for crisp holding.

HOLDING TEMPERATURE RANGE		
MEAT	FAHRENHEIT	CELSIUS
BEEF ROAST — Rare	130°F	54°C
BEEF ROAST — Med/Well Done	155°F	68°C
BEEF BRISKET	160° — 175°F	71° — 79°C
CORN BEEF	160° — 175°F	71° — 79°C
PASTRAMI	160° — 175°F	71° — 79°C
PRIME RIB — Rare	130°F	54°C
STEAKS — Broiled/Fried	140° — 160°F	60° — 71°C
RIBS — Beef or Pork	160°F	71°C
VEAL	160° — 175°F	71° — 79°C
HAM	160° — 175°F	71° — 79°C
PORK	160° — 175°F	71° — 79°C
LAMB	160° — 175°F	71° — 79°C
POULTRY		
CHICKEN — Fried/Baked	160° — 175°F	71° — 79°C
DUCK	160° — 175°F	71° — 79°C
TURKEY	160° — 175°F	71° — 79°C
GENERAL	160° — 175°F	71° — 79°C
FISH/SEAFOOD		
FISH — Baked/Fried	160° — 175°F	71° — 79°C
LOBSTER	160° — 175°F	71° — 79°C
SHRIMP — Fried	160° — 175°F	71° — 79°C
BAKED GOODS		
BREADS/ROLLS	120° — 140°F	49° — 60°C
MISCELLANEOUS		
CASSEROLES	160° — 175°F	71° — 79°C
DOUGH — Proofing	80° — 100°F	27° — 38°C
EGGS — Fried	150° — 160°F	66° — 71°C
FROZEN ENTREES	160° — 175°F	71° — 79°C
HORS D'OEUVRES	160° — 180°F	71° — 82°C
PASTA	160° — 180°F	71° — 82°C
PIZZA	160° — 180°F	71° — 82°C
POTATOES	180°F	82°C
PLATED MEALS	140° — 165°F	60° — 74°C
SAUCES	140° — 200°F	60° — 93°C
SOUP	140° — 200°F	60° — 93°C
VEGETABLES	160° — 175°F	71° — 79°C
THE HOLDING TEMPERATURES LISTED ARE SUGGESTED GUIDELINES ONLY. ALL FOOD HOLDING SHOULD BE BASED ON INTERNAL PRODUCT TEMPERATURES. ALWAYS FOLLOW LOCAL HEALTH (HYGIENE) REGULATIONS FOR ALL INTERNAL TEMPERATURE REQUIREMENTS.		

CARE AND CLEANING

CLEANING AND PREVENTATIVE MAINTENANCE

PROTECTING STAINLESS STEEL SURFACES



It is important to guard against corrosion in the care of stainless steel surfaces. Harsh, corrosive, or inappropriate chemicals can completely destroy the protective surface layer of stainless steel. Abrasive pads, steel wool, or metal implements will abrade surfaces causing damage to this protective coating and will eventually result in areas of corrosion. Even water, particularly hard water that contains high to moderate concentrations of chloride, will cause oxidation and pitting that result in rust and corrosion. In addition, many acidic foods spilled and left to remain on metal surfaces are contributing factors that will corrode surfaces.





Proper cleaning agents, materials, and methods are vital to maintaining the appearance and life of this appliance. Spilled foods should be removed and the area wiped as soon as possible but at the very least, a minimum of once a day. Always thoroughly rinse surfaces after using a cleaning agent and wipe standing water as quickly as possible after rinsing.

CLEANING AGENTS

Use non-abrasive cleaning products designed for use on stainless steel surfaces. Cleaning agents must be chloride-free compounds and must not contain quaternary salts. Never use hydrochloric acid (muriatic acid) on stainless steel surfaces. Always use the proper cleaning agent at the manufacturer's recommended strength. Contact your local cleaning supplier for product recommendations.

CLEANING MATERIALS

The cleaning function can usually be accomplished with the proper cleaning agent and a soft, clean cloth. When more aggressive methods must be employed, use a non-abrasive scouring pad on difficult areas and make certain to scrub with the visible grain of surface metal to avoid surface scratches. Never use wire brushes, metal scouring pads, or scrapers to remove food residue.

 CAUTION	
 NO SCRAPERS	TO PROTECT STAINLESS STEEL SURFACES, COMPLETELY AVOID THE USE OF ABRASIVE CLEANING COMPOUNDS, CHLORIDE BASED CLEANERS, OR CLEANERS CONTAINING QUATERNARY SALTS. NEVER USE HYDROCHLORIC ACID (MURIATIC ACID) ON STAINLESS STEEL. NEVER USE WIRE BRUSHES, METAL SCOURING PADS OR SCRAPERS.
 NO WIRE BRUSHES	
 NO STEEL PADS	

CARE AND CLEANING

EQUIPMENT CARE

Under normal circumstances, this oven should provide you with long and trouble free service. There is no preventative maintenance required, however, the following Equipment Care Guide will maximize the potential life and trouble free operation of this oven.



The cleanliness and appearance of this equipment will contribute considerably to operating efficiency and savory, appetizing food. Good equipment that is kept clean works better and lasts longer.

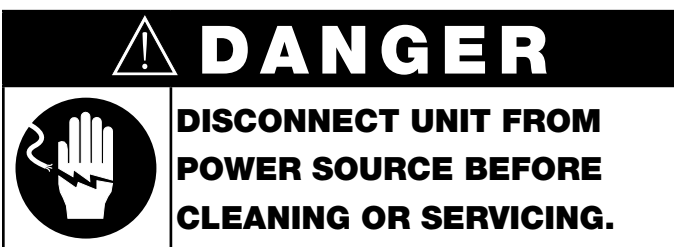
CLEAN DAILY

1. Disconnect unit from power source, and let cool.
2. Remove all detachable items such as wire shelves, side racks, and drip pans. Clean these items separately.
3. Wipe the interior metal surfaces of the oven with a paper towel to remove loose food debris.
4. Clean the interior metal surfaces of the cabinet with a damp clean cloth or sponge and any good commercial detergent.



NOTE: Avoid the use of abrasive cleaning compounds, chloride based cleaners, or cleaners containing quaternary salts. Never use hydrochloric acid (muriatic acid) on stainless steel.

5. Spray heavily soiled areas with a water soluble degreaser and let stand for 10 minutes, then remove soil with a plastic scouring pad.
6. Wipe control panel, door vents, door handles, and door gaskets thoroughly since these areas harbor food debris.
7. Rinse surfaces by wiping with sponge and clean warm water.



8. Remove excess water with sponge and wipe dry with a clean cloth or air dry. Leave doors open until interior is completely dry. Replace side racks and shelves.
9. Wipe door gaskets and control panel dry with a clean, soft cloth.
10. Interior can be wiped with a sanitizing solution after cleaning and rinsing. This solution must be approved for use on stainless steel food contact surfaces.
11. To help maintain the protective film coating on polished stainless steel, clean the exterior of the cabinet with a cleaner recommended for stainless steel surfaces. Spray the cleaning agent on a clean cloth and wipe with the grain of the stainless steel.
12. Clean any glass with a window cleaner.

Always follow appropriate state or local health (hygiene) regulations regarding all applicable cleaning and sanitation requirements for equipment.

CLEAN THE DOOR VENTS

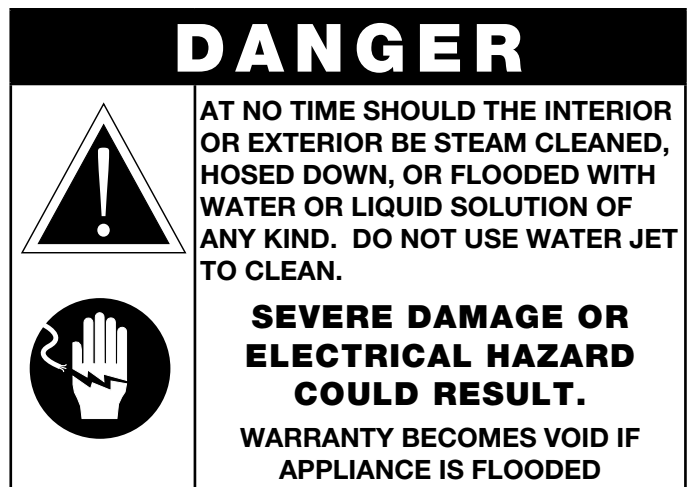
Door vents need to be inspected and cleaned as required.

CHECK OVERALL CONDITION OF OVEN ONCE A MONTH

Check the oven once a month for physical damage and loose screws. Correct any problems before they begin to interfere with the operation of the oven.

DO NOT USE OVEN IF CONTROLS ARE NOT PROPERLY FUNCTIONING

Refer to the Trouble Shooting Guide located in this manual or call an authorized service technician.



SANITATION

Food flavor and aroma are usually so closely related that it is difficult, if not impossible, to separate them. There is also an important, inseparable relationship between cleanliness and food flavor. Cleanliness, top operating efficiency, and appearance of equipment contribute considerably to savory, appetizing foods. Good equipment that is kept clean, works better and lasts longer.

Most food imparts its own particular aroma and many foods also absorb existing odors. Unfortunately, during this absorption there is not distinction between GOOD and BAD odors. The majority of objectionable flavors and odors troubling food service operations are caused by bacteria growth. Sourness, rancidity, mustiness, stale or other OFF flavors are usually the result of germ activity.

The easiest way to insure full, natural food flavor is through comprehensive cleanliness. This means good control of both visible soil (dirt) and invisible soil (germs). A thorough approach to sanitation will provide essential cleanliness. It will assure an attractive appearance of equipment, along with maximum efficiency and utility. More importantly, a good sanitation program provides one of the key elements in the prevention of food-borne illnesses.

A controlled holding environment for prepared foods is just one of the important factors involved in the prevention of food-borne illnesses. Temperature monitoring and control during receiving, storage, preparation, and the service of foods are of equal importance.

The most accurate method of measuring safe temperatures of both hot and cold foods is by internal product temperature. A quality thermometer is an effective tool for this purpose, and should be routinely used on all products that require holding at a specific temperature.

A comprehensive sanitation program should focus on the training of staff in basic sanitation procedures. This includes personal hygiene, proper handling of raw foods, cooking to a safe internal product temperature, and the routine monitoring of internal temperatures from receiving through service.

Most food-borne illnesses can be prevented through proper temperature control and a comprehensive program of sanitation. Both these factors are important to build quality service as the foundation of customer satisfaction. Safe food handling practices to prevent food-borne illness is of critical importance to the health and safety of your customers.

HACCP, an acronym for Hazard Analysis (at) Critical Control Points, is a quality control program of operating procedures to assure food integrity, quality, and safety. Taking steps necessary to augment food safety practices is both cost effective and relatively simple. While HACCP guidelines go far beyond the scope of this manual, additional information is available by contacting:

**CENTER FOR FOOD SAFETY AND APPLIED
NUTRITION FOOD AND DRUG ADMINISTRATION
1-888-SAFEFOOD**

INTERNAL FOOD PRODUCT TEMPERATURES		
HOT FOODS		
DANGER ZONE	40° TO 140°F	(4° TO 60°C)
CRITICAL ZONE	70° TO 120°F	(21° TO 49°C)
SAFE ZONE	140° TO 165°F	(60° TO 74°C)
COLD FOODS		
DANGER ZONE	ABOVE 40°F	(ABOVE 4°C)
SAFE ZONE	36° TO 40°F	(2° TO 4°C)
FROZEN FOODS		
DANGER ZONE	ABOVE 32°F	(ABOVE 0°C)
CRITICAL ZONE	0° TO 32°F	(-18° TO 0°C)
SAFE ZONE	0°F or below	(-18°C or below)

SERVICE

TROUBLE SHOOTING CHECKLIST

Code	Description	Possible Cause
E-10	Cavity air sensor shorted	Cavity air sensor reading < 5°F. Verify sensor integrity. See sensor test instructions below.
E-11	Cavity air sensor open	Cavity air sensor reading > 517°F. Verify sensor integrity. See sensor test instructions below.
E-20	Product probe is shorted <i>Oven will cook in time only</i>	Product probe reading < 5°F. Verify sensor integrity. See sensor test instructions below.
E-21	Product probe is open <i>Oven will cook in time only</i>	Product Probe reading > 517°F. Verify sensor integrity. See sensor test instructions below.
E-30	Under temperature	Unit has not reached (set-point - 25°F) for more than 90 minutes.
E-31	Over temperature	Unit has been higher than 25°F above the maximum cavity set-point for more than 2 minutes. Note: Holding Cabinets with this error code are more than 145°F higher than the maximum set-point.
E-50	Temp. measurement error	Contact factory.
E-51	Temp. measurement error	Contact factory.
E-60	Real time clock error	Data set to factory default. Ensure that date and time are correct if applicable.
E-61	Real time clock error	Contact factory.
E-64	Clock is not oscillating	Contact factory.
E-70	Configuration connector error (DIP switch)	Refer to wiring diagram for the particular model and ensure dip switches on the control match the settings called out on the WD. If the dip switch settings are correct according to the print replace the control.
E-78	Voltage low	Voltage below 90 VAC on a 125 VAC unit, or below 190 VAC on a 208-240 VAC unit. Correct voltage.
E-79	Voltage high	Voltage over 135 VAC on a 125 VAC unit, or over 250 VAC on a 208-240 VAC unit. Correct voltage.
E-80	EEPROM Error	Ensure that all temperatures and times are properly set. Contact factory if problem persists.
E-81	EEPROM Error	Contact factory.
E-82	EEPROM Error	Contact factory.
E-83	EEPROM Error	Contact factory.
E-85	EEPROM Error	All timers, if previously on, are now off. Possible bad EEPROM.
E-86	EEPROM Error	Stored HACCP memory corrupted. HACCP Address reset to 1. Possible bad EEPROM. Contact factory if problem persists.
E-87	EEPROM Error	Stored offsets corrupted. Offsets reset to 0. Control may need a recalibration. Possible bad EEPROM. Contact factory if problem persists.
E-88	EEPROM Error	All timer set-points are reset to 1 minute. Timers, if previously on, are now off. Possible bad EEPROM.
E-90	Button stuck	A button has been held down for >60 seconds. Adjust control. Error will reset when the problem has been resolved.
E-dS	Datakey error	Datakey digital signature incompatible. Cycle power, and install compatible Datakey if error persists.
E-dT	Datakey error	Datakey incompatible with control. Install compatible Datakey.
E-dU	Datakey unplugged	Install Datakey and cycle power to control to clear error.
dLto	Datalogger has timed out	Cycle power. Contact factory if error persists.
dLSD	Micro SD card not plugged in	Plug in SD card and cycle power. Contact factory if error persists.
<i>Note: If in doubt, always cycle the power to the control and contact factory if the problem persists.</i>		

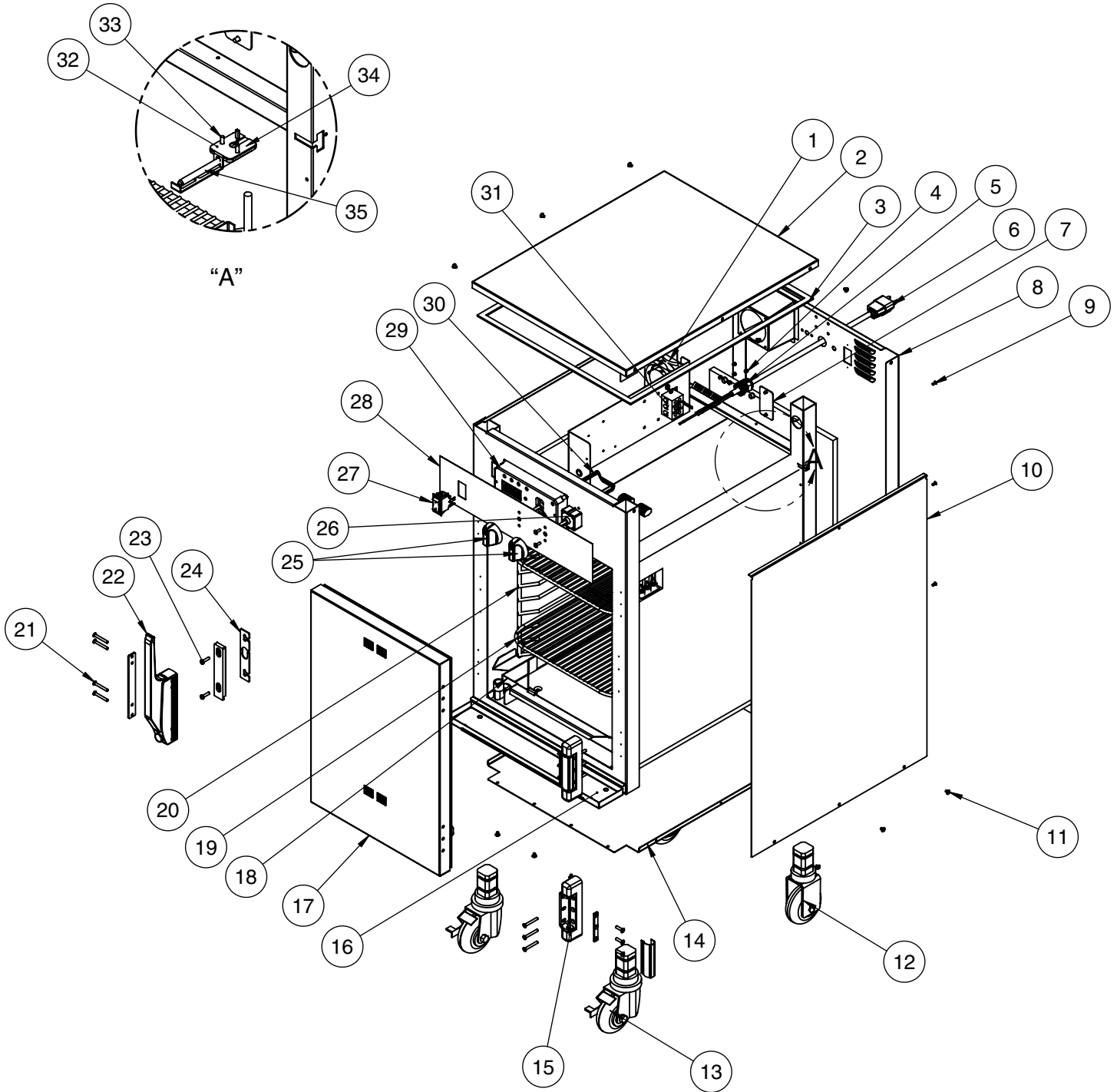
To test probe and air sensor:

Test probe and air sensor by placing sensor in ice water bath and using an ohmmeter set on the ohm scale. The reading should be 100 ohms resistance. If it is more than 2 ohms higher or lower, sensor needs to be replaced.

SERVICE

SERVICE VIEW

500-TH-II SHOWN



Part numbers and drawings are subject to change without notice.

SERVICE

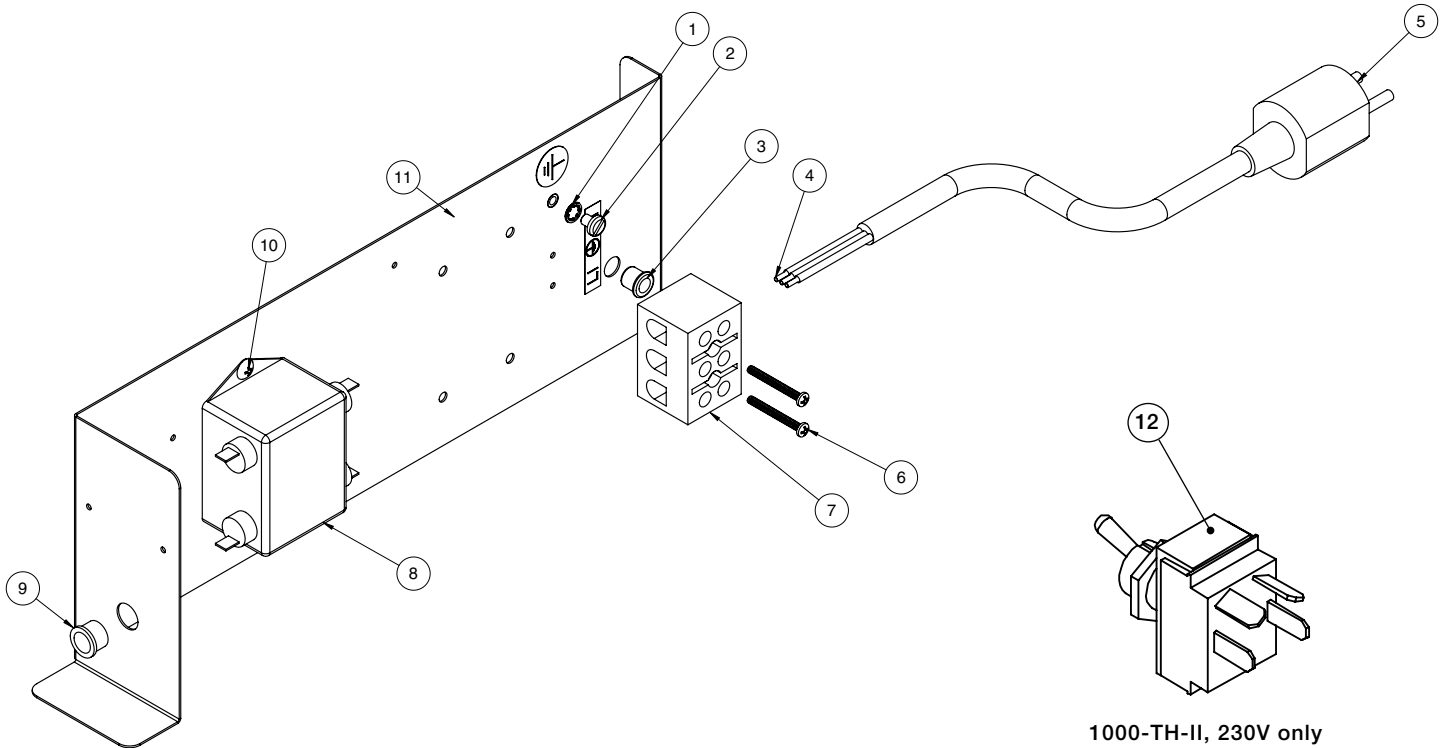
SERVICE VIEW - EXTERIOR

MODEL >		500-TH-II		750-TH-II		1000-TH-II	
ITEM	DESCRIPTION	PART NO.	QTY	PART NO.	QTY	PART NO.	QTY
1	FAN, BOX, 115V, 34CFM	FA-3973	1	FA-3973	1	FA-3973	1
	FAN BOX, 208-240V, 230V	FA-34524	1	FA-34524	1	FA-34524	1
2	TOP COVER	1011946	1	1011872	1	1011534	1
3	GASKET ADHESIVE 0.125 X 0.375 [LIN FT]	GS-23622	1	GS-23622	1	GS-23622	1
4	PLUG, DOME,.187" HOLE	PG-28439	6	PG-28439	6	PG-28439	6
5	BUSHING, STRAIN RELIEF	BU-3964	1	BU-3964	1	BU-3964	2
6	CORDSET, 120V	CD-3397	1	CD-3397	1	CD-3397	1
	CORDSET, 230V	CD-3922	1	CD-3922	1	CD-3922	1
7	SWITCH COVER	11133	1	11133	1	11133	1
8	REAR TRIM, SPOT	5014004	1	5014081	1	5014172	1
9	RIVET, BLIND, #44 STAINLESS STEEL	RI-2100	6	RI-2100	6	RI-2100	6
10	PANEL, SIDE	5015081	2	5015083	2	5015088	2
11	SCREW, 8-32 X 1/4" PHIL	SC-2459	17	SC-2459	19	SC-2459	25
12	CASTER, 3-1/2" RIGID	CS-25674	2	CS-25674	2	CS-25674	2
13	CASTER, 3-1/2" SWIVEL W/ BRAKE	CS-25675	2	CS-25675	2	CS-25675	2
14	BOTTOM PANEL	1010774	1	1010394	1	1009941	1
15	HINGE, PAIR	HG-22338	1	HG-22338	1	HG-22338	1
16	DRIP TRAY KIT	5010736	1	5010391	1	5009716	1
	- DRIP TRAY HOLDER	1010782	1	1010584	1	1010584	1
	- DRIP TRAY	1010783	1	1010585	1	1010585	1
17	DOOR ASSEMBLY, RH	5010828	1	5010946	1	5010081	1
	DOOR ASSEMBLY, LH	5010829	1	5010947	1	5010071	1
	DOOR GASKET	GS-22950	1	GS-22951	1	GS-22952	1
18	DRIP PAN WELD	14813	1	14831	1	5005616	1
19	SHELF, STAINLESS STEEL	SH-2326	2	SH-2324	3	SH-2325	3
20	SIDE RACK, CHROME	SR-28403	2	SR-28405	2	SR-2266	2
	PAN SLIDES, 230V ONLY	1010880	2	1010813	2	—	—
21	SCREW,10-32X1-1/2", NF, PHIL	SC-2073	10	SC-2073	10	SC-2073	10
22	HANDLE, OFFSET MAG. LATCH	HD-27080	1	HD-27080	1	HD-27080	1
23	SCREW, 3/4" PAN HD	SC-2071	2	SC-2071	2	SC-2071	2
24	SHIM, HANDLE	13947	1	13947	1	13947	1
25	KNOB, THERMOSTAT	KN-26568	2	KN-26568	2	KN-26568	2
26	THERMOSTAT, COOK	TT-34910	1	TT-34910	1	TT-34910	1
27	SWITCH,ROCKER, 125-277V, 20A	SW-34769	1	SW-34769	1	SW-34769	1
28	PANEL OVERLAY	PE-29362	1	PE-29360	1	PE-28685	1
29	CONTROL	CC-34488	1	CC-34488	1	CC-34488	1
30	CABLE, WIRE HARNESS	CB-34945	1	CB-34945	1	CB-34945	1
31	T-BLOCK	BK-3019	1	BK-3019	1	BK-3019	1
32	SENSOR GUARD	1008272	1	1008272	1	1008272	1
33	SCREW, 6-32 X 1/2", NC PHIL, FLAT	SC-2254	2	SC-2254	2	SC-2254	2
34	BLOCK, CONTROL SENSOR	BK-29606	1	BK-29606	1	BK-29606	1
35	PROBE, OVEN TEMP.	PR-34494	1	PR-34494	1	PR-34494	1
36*	NON-PRODUCT PROBE SEAL	1006871	1	1006871	1	1006871	1
37*	CONNECTOR	CR-34559	1	CR-34559	1	CR-34559	1
38*	CONNECTOR-5 CONDUCTOR	CR-34646	1	CR-34646	1	CR-34646	1
39*	INSULATION	IN-2003	1	IN-2003	1	IN-2003	1
40*	NUT, HEX, M4-0.7 18-8	NU-22286	2	NU-22286	2	NU-22286	2
41*	PLUG, 3/8" HOLE	PG-25574	2	PG-25574	2	PG-25574	2
42*	SCREW,10-32 X 3/4", NF PHIL	SC-2072	6	SC-2072	6	SC-2072	6
43*	8-32 X 2 SLOT PAN HEAD 18-8 S/S	SC-23154	2	SC-23154	2	SC-23154	2
44*	8-32 X 1/2" PHIL SCREW	SC-2425	8	SC-2425	8	SC-2425	2
45*	WASHER M4 SPLIT LOCK S/S 18-8	WS-22300	2	WS-22300	2	WS-22300	2
46*	SWITCH, VOLTAGE, 20A (230V ONLY)	—	—	—	—	SW-3528	1

*NOT SHOWN

SERVICE

ELECTRONIC COMPONENTS PARTS LIST 500-TH-II 230V SHOWN



1000-TH-II, 230V only

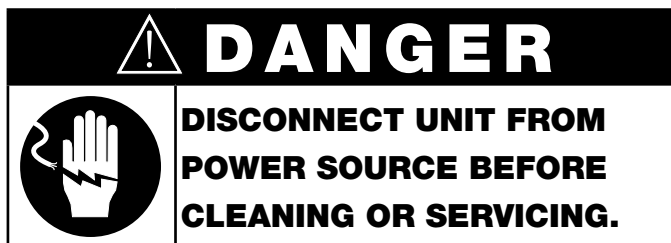
Part numbers and drawings are subject to change without notice.

ITEM	DESCRIPTION	PART NO.	QTY
1	STAR LOCK WASHER	WS-2467	1
2	SCREW, 10-32 X 1/4" PAN HD GROUND	SC-2190	1
3	3/8" BLACK HOLE BUSHING	BU-3419	1
4	CONNECTOR, #16 FERRULE - 230V	CR-34828	3
	CONNECTOR, #12 FERRULE - 120V	CR-34830	3
5	CORDSET - 16AWG, 3/C, INT'L HARM - 230V	CD-3922	1
	CORDSET - 12/3 SJO, 20A - 125V PLUG - 120V	CD-3397	1
6	SCREW, 6-32 X 1 1/4" ROUND HD	SC-2365	2
7	T-BLOCK	BK-3019	1
8	LINE FILTER, 115/250V 50/60HZ - 230V ONLY	FI-33225	1
9	1/2" HOLE BUSHING	BU-3006	1
10	SCREW, 8-32 X 1/4" PHIL	SC-2459	2
11	AIR SHIELD SPOT WELD ASSB	500 5013997	1
		750, 1000 5014097	1
12	SWITCH, VOLTAGE, 20A (1000-TH-II, 230V ONLY)	SW-3528	1

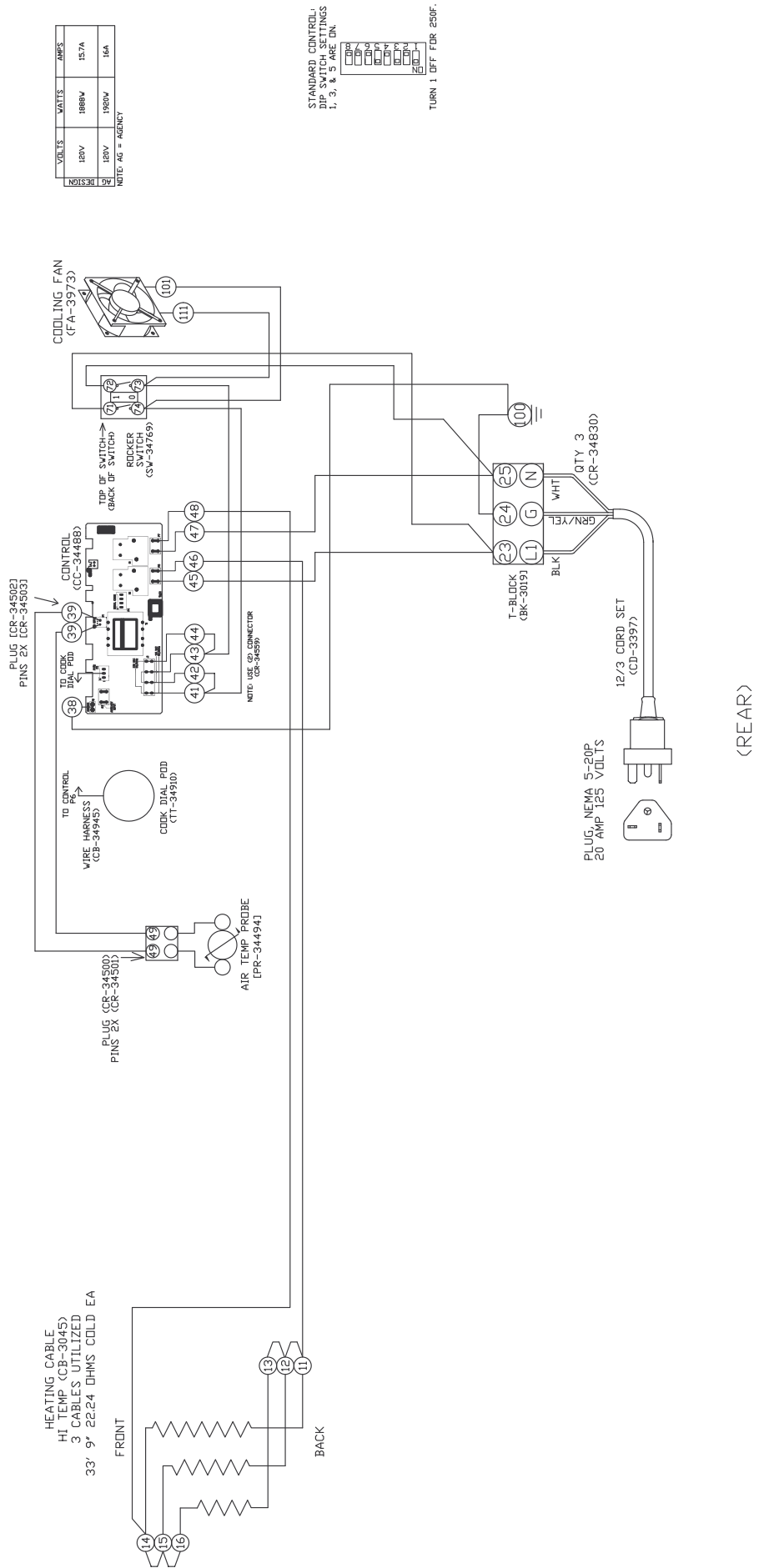
SERVICE

CABLE HEATING SERVICE KITS

CABLE HEATING SERVICE KIT >		#4880 500, 750, 1000 - 120V 500 - 208-240V	#4881 750, 1000 - 208-240V
ITEM	DESCRIPTION	QTY	QTY
CB-3045	CABLE HEATING ELEMENT	134 FT. (41 M)	210 FT. (64 M)
CR-3226	RING CONNECTOR	4	12
IN-3488	INSULATION CORNER	1 FT. (305 mm)	1 FT. (305 mm)
BU-3105	SHOULDER BUSHING	4	12
BU-3106	CUP BUSHING	4	12
ST-2439	STUD	4	12
NU-2215	HEX NUT	8	24
SL-3063	INSULATING SLEEVE	4	12
TA-3540	ELECTRICAL TAPE	1 ROLL	1 ROLL



VIEW IS FROM REAR OF UNIT (FRONT)

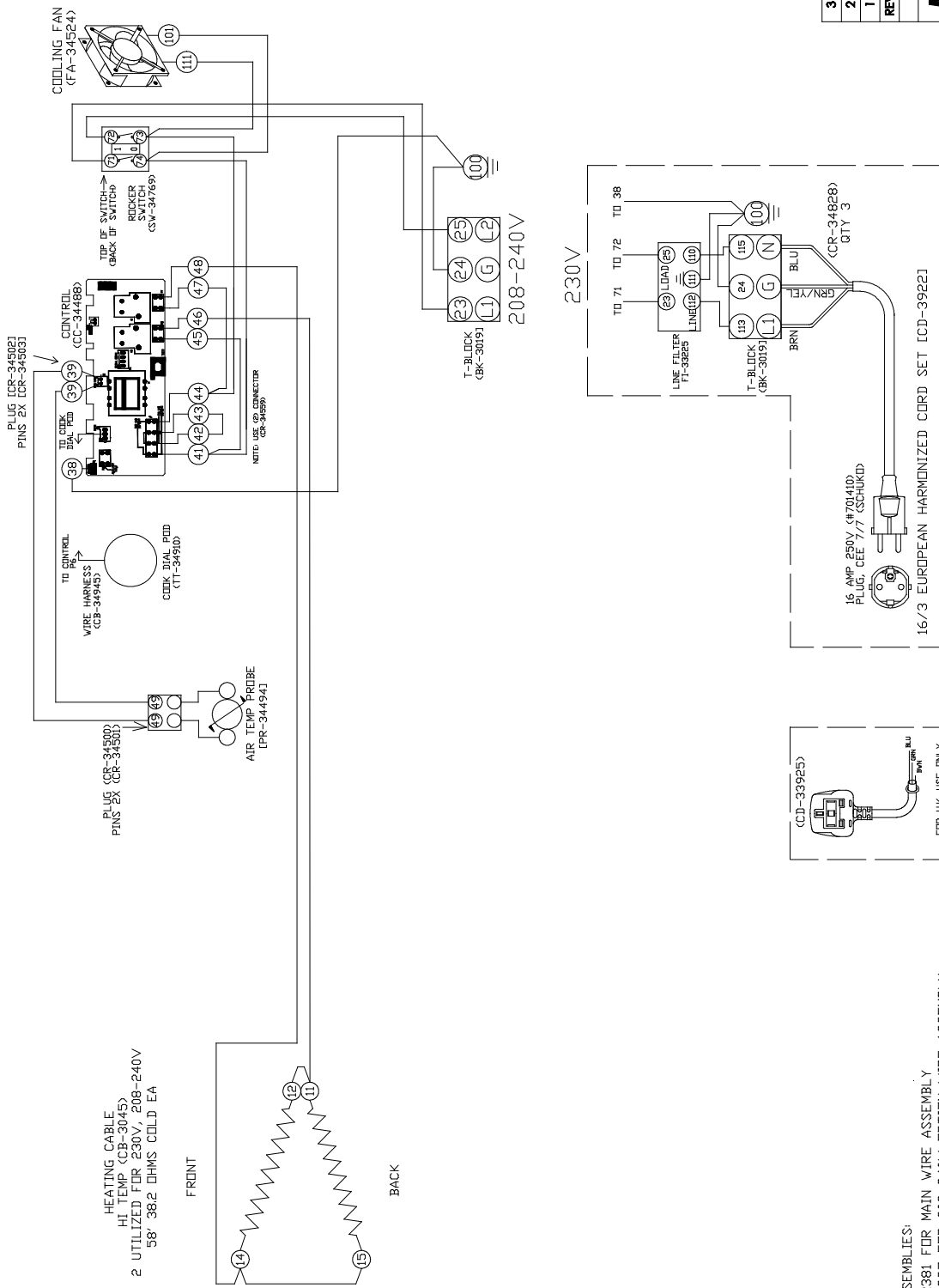


(REAR)

WIRE ASSEMBLIES:
SEE 5012380 FOR WIRE ASSEMBLY

1	-	MOVE POWER SWITCH R to L	10-21-10	JPK
0	-	FIX FAN P/N	9-27-10	JPK
A	-	NEW ELAN COOK & HOLD	6-29-10	JPK
REV	ECCO	DESCRIPTION	DATE	APP
500-TH/II 120V 60HZ				
ALTO-SHAAM			WIRING DIAGRAM	
DWG: 77360			SHEET	
BY: JPK DATE: 6/23/10			1_OF_1	

VIEW IS FROM REAR OF UNIT (FRONT)



VOLTS	WATTS	AMPS
208V	2300W	11A

Wattage = Voltage² / Resistance
 Amperage = Wattage / Voltage

STANDARD CONTROL:
 DIP SWITCH SETTINGS
 1, 3, & 5 ARE ON.



TURN 1 OFF FOR 250F.

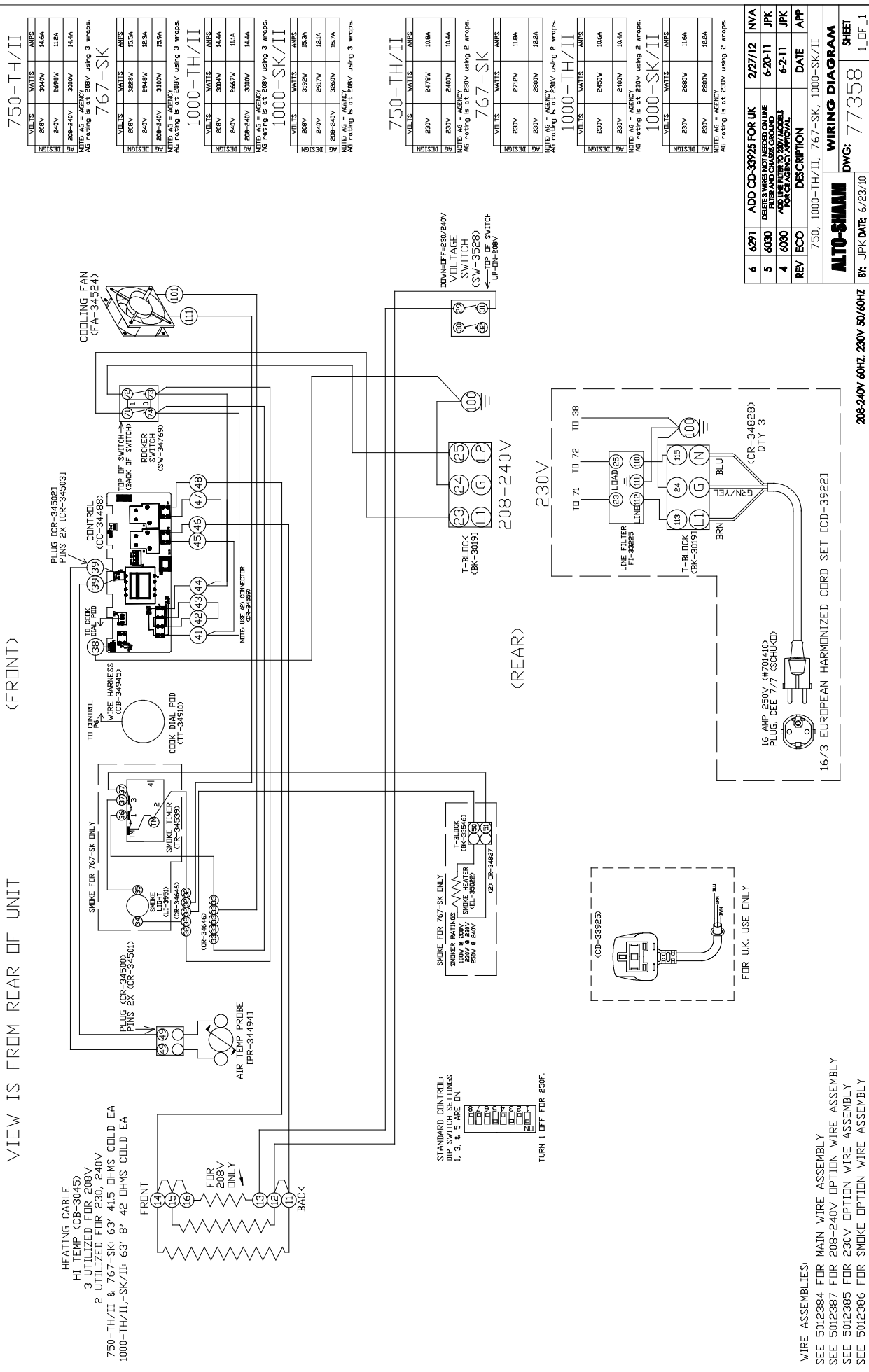
WIRE ASSEMBLIES:
 SEE 5012381 FOR MAIN WIRE ASSEMBLY
 SEE 5012387 FOR 208-240V OPTION WIRE ASSEMBLY
 SEE 5012385 FOR 230V OPTION WIRE ASSEMBLY

REV	ECO	DESCRIPTION	DATE	APP
3	6291	INCLUDE CD-3392S CORDSET	9-27-12	TJG
2	6030	WHERE 3 WIRES NOT NEEDED ON LINE PLUG, USE 2 WIRE PLUG FOR 230V MODELS FOR CE AGENCY APPROVAL	7-19-11	JPK
1	6030	PLUG LINE FOR TO 230V MODELS FOR CE AGENCY APPROVAL	6-2-11	JPK

500-TH/II 208-240V, 230V
ALTO-SIHAN WIRING DIAGRAM
 DWG: 77361 SHEET 1 OF 1
 BH: JPK DATE: 7/1/10

VIEW IS FROM REAR OF UNIT

(FRONT)



750-TH/II

VELTIS	WATTS	AMPS
1	280V	349W
2	240V	298W
3	208-240V	306W
4	208-240V	306W

NOTE: AG = AGENCY
AG rating is at 280V using 3 wraps.

767-SK

VELTIS	WATTS	AMPS
1	280V	349W
2	240V	298W
3	208-240V	306W
4	208-240V	306W

NOTE: AG = AGENCY
AG rating is at 280V using 3 wraps.

1000-TH/II

VELTIS	WATTS	AMPS
1	280V	300W
2	240V	267W
3	208-240V	306W
4	208-240V	306W

NOTE: AG = AGENCY
AG rating is at 280V using 3 wraps.

1000-SK/II

VELTIS	WATTS	AMPS
1	280V	319W
2	240V	297W
3	208-240V	306W
4	208-240V	306W

NOTE: AG = AGENCY
AG rating is at 280V using 3 wraps.

750-TH/II

VELTIS	WATTS	AMPS
1	280V	2478W
2	280V	2400W
3	280V	2400W

NOTE: AG = AGENCY
AG rating is at 280V using 2 wraps.

767-SK

VELTIS	WATTS	AMPS
1	280V	2718W
2	280V	2680W
3	280V	2680W

NOTE: AG = AGENCY
AG rating is at 280V using 2 wraps.

1000-TH/II

VELTIS	WATTS	AMPS
1	280V	2400W
2	280V	2400W
3	280V	2400W

NOTE: AG = AGENCY
AG rating is at 280V using 2 wraps.

1000-SK/II

VELTIS	WATTS	AMPS
1	280V	2400W
2	280V	2400W
3	280V	2400W

NOTE: AG = AGENCY
AG rating is at 280V using 2 wraps.

6	6291	ADD CD-33925 FOR UK	2/27/12	N/A
5	6030	DELETES WIRES NOT NEEDED ON LINE	6-20-11	JPK
4	6000	ADDS WIRE #701410 FOR EUROPEAN APPROVAL	6-2-11	JPK
REV	ECO	DESCRIPTION	DATE	APP
750, 1000-TH/II, 767-SK, 1000-SK/II				
ALTO-SHIAN WIRING DIAGRAM				
DWG: 77358				
SHEET 1 OF 1				

8: JPK DATE: 6/23/10
208-240V 60HZ, 230V 50/60HZ

WIRE ASSEMBLIES:
SEE 5012384 FOR MAIN WIRE ASSEMBLY
SEE 5012387 FOR 208-240V OPTION WIRE ASSEMBLY
SEE 5012385 FOR 230V OPTION WIRE ASSEMBLY
SEE 5012386 FOR SMOKE OPTION WIRE ASSEMBLY

STANDARD CONTROL DIP SWITCH SETTINGS
1, 3, & 5 ARE ON
TURN 1 OFF FOR 250F.

FOR U.K. USE ONLY
(CD-33925)

SMOKE RATING:
180W @ 280V
180W @ 240V
200W @ 230V
(EL-50025)
CD: CR-34827

SMOKE FIR 767-SK ONLY
TO CONTROL WIRE HARNESS (CR-34945)
COOK DIAL PBD (CT-34910)
SMOKE TIMER (CR-34525)
T-BLOCK (CR-34524)
T-BLOCK (CR-34525)
T-BLOCK (CR-34526)
T-BLOCK (CR-34527)
T-BLOCK (CR-34528)
T-BLOCK (CR-34529)
T-BLOCK (CR-34530)
T-BLOCK (CR-34531)
T-BLOCK (CR-34532)
T-BLOCK (CR-34533)
T-BLOCK (CR-34534)
T-BLOCK (CR-34535)
T-BLOCK (CR-34536)
T-BLOCK (CR-34537)
T-BLOCK (CR-34538)
T-BLOCK (CR-34539)
T-BLOCK (CR-34540)
T-BLOCK (CR-34541)
T-BLOCK (CR-34542)
T-BLOCK (CR-34543)
T-BLOCK (CR-34544)
T-BLOCK (CR-34545)
T-BLOCK (CR-34546)
T-BLOCK (CR-34547)
T-BLOCK (CR-34548)
T-BLOCK (CR-34549)
T-BLOCK (CR-34550)
T-BLOCK (CR-34551)
T-BLOCK (CR-34552)
T-BLOCK (CR-34553)
T-BLOCK (CR-34554)
T-BLOCK (CR-34555)
T-BLOCK (CR-34556)
T-BLOCK (CR-34557)
T-BLOCK (CR-34558)
T-BLOCK (CR-34559)
T-BLOCK (CR-34560)
T-BLOCK (CR-34561)
T-BLOCK (CR-34562)
T-BLOCK (CR-34563)
T-BLOCK (CR-34564)
T-BLOCK (CR-34565)
T-BLOCK (CR-34566)
T-BLOCK (CR-34567)
T-BLOCK (CR-34568)
T-BLOCK (CR-34569)
T-BLOCK (CR-34570)
T-BLOCK (CR-34571)
T-BLOCK (CR-34572)
T-BLOCK (CR-34573)
T-BLOCK (CR-34574)
T-BLOCK (CR-34575)
T-BLOCK (CR-34576)
T-BLOCK (CR-34577)
T-BLOCK (CR-34578)
T-BLOCK (CR-34579)
T-BLOCK (CR-34580)
T-BLOCK (CR-34581)
T-BLOCK (CR-34582)
T-BLOCK (CR-34583)
T-BLOCK (CR-34584)
T-BLOCK (CR-34585)
T-BLOCK (CR-34586)
T-BLOCK (CR-34587)
T-BLOCK (CR-34588)
T-BLOCK (CR-34589)
T-BLOCK (CR-34590)
T-BLOCK (CR-34591)
T-BLOCK (CR-34592)
T-BLOCK (CR-34593)
T-BLOCK (CR-34594)
T-BLOCK (CR-34595)
T-BLOCK (CR-34596)
T-BLOCK (CR-34597)
T-BLOCK (CR-34598)
T-BLOCK (CR-34599)
T-BLOCK (CR-34600)

230V
TO 71 TO 72 TO 38
LINE FILTER FT-33225
T-BLOCK (CR-30191)
T-BLOCK (CR-34828) QTY 3
16 AMP 250V (#701410) PLUG, CEE 7/7 (SCHUKO)
16/3 EUROPEAN HARMONIZED CURD SET (CD-39221)

COOLING FAN (FA-34524)
T-BLOCK (CR-30191)
T-BLOCK (CR-34827)
T-BLOCK (CR-34828)
T-BLOCK (CR-34829)
T-BLOCK (CR-34830)
T-BLOCK (CR-34831)
T-BLOCK (CR-34832)
T-BLOCK (CR-34833)
T-BLOCK (CR-34834)
T-BLOCK (CR-34835)
T-BLOCK (CR-34836)
T-BLOCK (CR-34837)
T-BLOCK (CR-34838)
T-BLOCK (CR-34839)
T-BLOCK (CR-34840)
T-BLOCK (CR-34841)
T-BLOCK (CR-34842)
T-BLOCK (CR-34843)
T-BLOCK (CR-34844)
T-BLOCK (CR-34845)
T-BLOCK (CR-34846)
T-BLOCK (CR-34847)
T-BLOCK (CR-34848)
T-BLOCK (CR-34849)
T-BLOCK (CR-34850)
T-BLOCK (CR-34851)
T-BLOCK (CR-34852)
T-BLOCK (CR-34853)
T-BLOCK (CR-34854)
T-BLOCK (CR-34855)
T-BLOCK (CR-34856)
T-BLOCK (CR-34857)
T-BLOCK (CR-34858)
T-BLOCK (CR-34859)
T-BLOCK (CR-34860)
T-BLOCK (CR-34861)
T-BLOCK (CR-34862)
T-BLOCK (CR-34863)
T-BLOCK (CR-34864)
T-BLOCK (CR-34865)
T-BLOCK (CR-34866)
T-BLOCK (CR-34867)
T-BLOCK (CR-34868)
T-BLOCK (CR-34869)
T-BLOCK (CR-34870)
T-BLOCK (CR-34871)
T-BLOCK (CR-34872)
T-BLOCK (CR-34873)
T-BLOCK (CR-34874)
T-BLOCK (CR-34875)
T-BLOCK (CR-34876)
T-BLOCK (CR-34877)
T-BLOCK (CR-34878)
T-BLOCK (CR-34879)
T-BLOCK (CR-34880)
T-BLOCK (CR-34881)
T-BLOCK (CR-34882)
T-BLOCK (CR-34883)
T-BLOCK (CR-34884)
T-BLOCK (CR-34885)
T-BLOCK (CR-34886)
T-BLOCK (CR-34887)
T-BLOCK (CR-34888)
T-BLOCK (CR-34889)
T-BLOCK (CR-34890)
T-BLOCK (CR-34891)
T-BLOCK (CR-34892)
T-BLOCK (CR-34893)
T-BLOCK (CR-34894)
T-BLOCK (CR-34895)
T-BLOCK (CR-34896)
T-BLOCK (CR-34897)
T-BLOCK (CR-34898)
T-BLOCK (CR-34899)
T-BLOCK (CR-34900)

TRANSPORTATION DAMAGE and CLAIMS



All Alto-Shaam equipment is sold F.O.B. shipping point, and when accepted by the carrier, such shipments become the property of the consignee.

Should damage occur in shipment, it is a matter between the carrier and the consignee. In such cases, the carrier is assumed to be responsible for the safe delivery of the merchandise, unless negligence can be established on the part of the shipper.

1. Make an immediate inspection while the equipment is still in the truck or immediately after it is moved to the receiving area. Do not wait until after the material is moved to a storage area.
2. Do not sign a delivery receipt or a freight bill until you have made a proper count and inspection of all merchandise received.
3. Note all damage to packages directly on the carrier's delivery receipt.
4. Make certain the driver signs this receipt. If he refuses to sign, make a notation of this refusal on the receipt.
5. If the driver refuses to allow inspection, write the following on the delivery receipt:
Driver refuses to allow inspection of containers for visible damage.
6. Telephone the carrier's office immediately upon finding damage, and request an inspection. Mail a written confirmation of the time, date, and the person called.
7. Save any packages and packing material for further inspection by the carrier.
8. Promptly file a written claim with the carrier and attach copies of all supporting paperwork.

We will continue our policy of assisting our customers in collecting claims which have been properly filed and actively pursued. We cannot, however, file any damage claims for you, assume the responsibility of any claims, or accept deductions in payment for such claims.

LIMITED WARRANTY

Alto-Shaam, Inc. warrants to the original purchaser only that any original part that is found to be defective in material or workmanship will, at Alto-Shaam's option, subject to provisions hereinafter stated, be replaced with a new or rebuilt part.

The original parts warranty period is as follows:

For the refrigeration compressor on Alto-Shaam Quickchillers™, five (5) years from the date of installation of appliance.

For the heating element on Halo Heat® cooking and holding ovens, as long as the original purchaser owns the oven. This excludes holding only equipment.

For all other original parts, one (1) year from the date of installation of appliance or fifteen (15) months from the shipping date, whichever occurs first.

The labor warranty period is one (1) year from the date of installation or fifteen (15) months from the shipping date, whichever occurs first.

Alto-Shaam will bear normal labor charges performed during standard business hours, excluding overtime, holiday rates or any additional fees.

To be valid, a warranty claim must be asserted during the applicable warranty period. This warranty is not transferable.

THIS WARRANTY DOES NOT APPLY TO:

1. Calibration.
2. Replacement of light bulbs, door gaskets, and/or the replacement of glass due to damage of any kind.
3. Equipment damage caused by accident, shipping, improper installation or alteration.
4. Equipment used under conditions of abuse, misuse, carelessness or abnormal conditions, including but not limited to, equipment subjected to harsh or inappropriate chemicals, including but not limited to, compounds containing chloride or quaternary salts, poor water quality, or equipment with missing or altered serial numbers.
5. Damage incurred as a direct result of poor water quality, inadequate maintenance of steam generators and/or surfaces affected by water quality. Water quality and required maintenance of steam generating equipment is the responsibility of the owner/operator.
6. Damage caused by use of any cleaning agent other than Alto-Shaam's Combitherm® Cleaner, including but not limited to damage due to chlorine or other harmful chemicals. **Use of Alto-Shaam's Combitherm® Cleaner on Combitherm® ovens is highly recommended.**
7. Any losses or damage resulting from malfunction, including loss of product, food product, revenue, or consequential or incidental damages of any kind.
8. Equipment modified in any manner from original model, substitution of parts other than factory authorized parts, removal of any parts including legs, or addition of any parts.

This warranty is exclusive and is in lieu of all other warranties, express or implied, including the implied warranties of merchantability and fitness for a particular purpose. In no event shall Alto-Shaam be liable for loss of use, loss of revenue or profit, or loss of product, or for any indirect, special, incidental, or consequential damages. No person except an officer of Alto-Shaam, Inc. is authorized to modify this warranty or to incur on behalf of Alto-Shaam any other obligation or liability in connection with Alto-Shaam equipment.



Effective November 1, 2012

RECORD THE MODEL AND SERIAL NUMBER OF THE APPLIANCE FOR EASY REFERENCE.

ALWAYS REFER TO BOTH MODEL AND SERIAL NUMBER IN ANY CONTACT WITH ALTO-SHAAM REGARDING THIS APPLIANCE.

Model: _____ Date Installed: _____
Voltage: _____ Purchased From: _____
Serial Number: _____

W164 N9221 Water Street • P.O. Box 450 • Menomonee Falls, Wisconsin 53052-0450 • U.S.A.
PHONE: 262.251.3800 • 800.558-8744 USA/CANADA FAX: 262.251.7067 • 800.329.8744 U.S.A. ONLY

www.alto-shaam.com

PRINTED IN U.S.A.

Free Manuals Download Website

<http://myh66.com>

<http://usermanuals.us>

<http://www.somanuals.com>

<http://www.4manuals.cc>

<http://www.manual-lib.com>

<http://www.404manual.com>

<http://www.luxmanual.com>

<http://aubethermostatmanual.com>

Golf course search by state

<http://golfingnear.com>

Email search by domain

<http://emailbydomain.com>

Auto manuals search

<http://auto.somanuals.com>

TV manuals search

<http://tv.somanuals.com>